

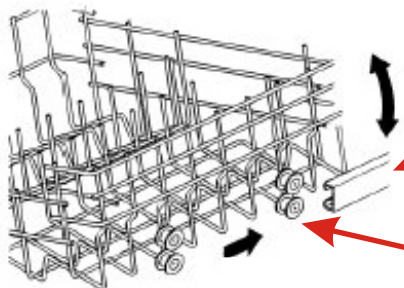
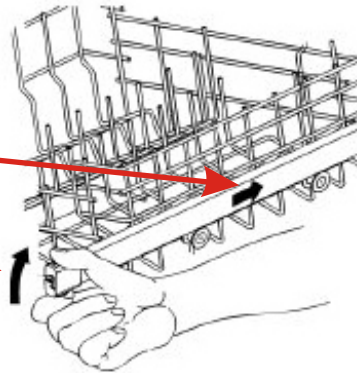
FOR INFORMATION ONLY

HOW TO ADJUST THE UPPER BASKET IN A SMEG DISHWASHER

There are 2 different ways to adjust the upper basket on a Smeg dishwasher. Which way depends on your model number.

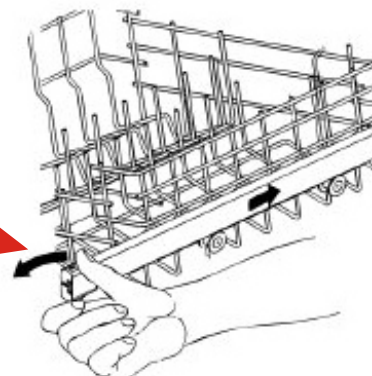
Type 1 - The upper basket can be adjusted in two positions, depending on the customer's needs and according to the height of the dishes in the lower basket.

- 1) Pull out the right-hand basket guide
- 2) Remove the end stop, releasing it as shown in the diagram;

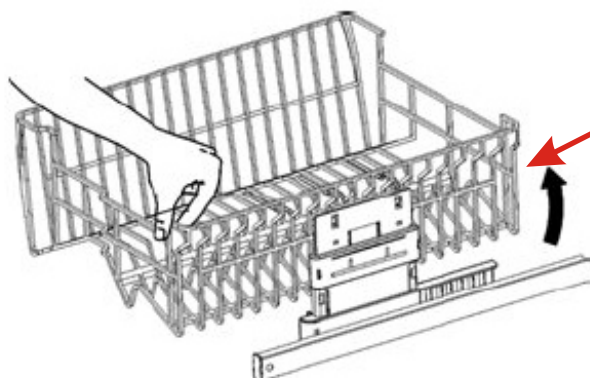


- 3) Push the guide to free the wheels
- 4) Fit the upper or lower pair of wheels into the guide, depending on the setting required;

- 5) Return the end stop to its original position.

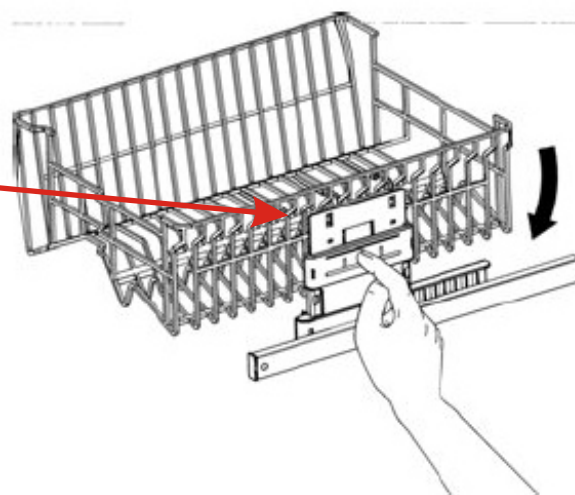


Type 2 - The upper basket can be adjusted by the use of an adjuster bracket mechanism located on the right hand side of the upper basket. Some models have 2 levels of adjustment, some models have 3.



1) Pull out the upper basket as far as it allows and pull the right side upwards. At this point it is possible to load larger sized plates into the lower basket.

2) To return to the original position, pull out the upper basket again and press the release lever and gently lower the basket down.



Further information can be found within your user manual.

User manuals are available from

www.smeg-service.co.uk/support