



**L30 FAB LPG
P23 LINEAR LPG, P23 CLASSIC LPG
L23 LINEAR LPG, L23 CLASSIC LPG
MODELS**

WALL MOUNTED HIGH EFFICIENCY GAS FIRE

INSTALLATION & USER INSTRUCTIONS

It is the LAW that all gas appliances and fittings are installed by a competent person (such as a CORGI registered fitter) and in accordance with the Gas Safety (Installation and Use) Regulations 1998.

All instructions must be handed to the user for safekeeping.

Revision A - 02/08

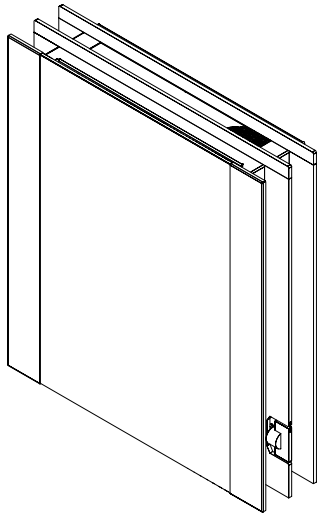
Country(s) of destination - GB/IE

SMEG (UK) LTD
3 Milton Park
Abingdon, Oxon
OX14 4RN

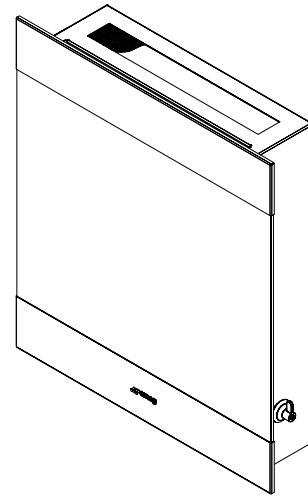
Phone: +44 (0)870 99 09 907

Fax : +44 (0)870 99 09 337

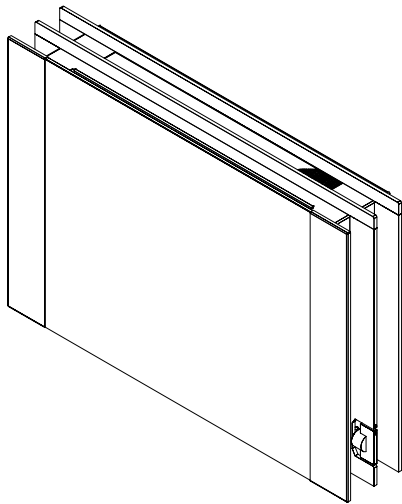




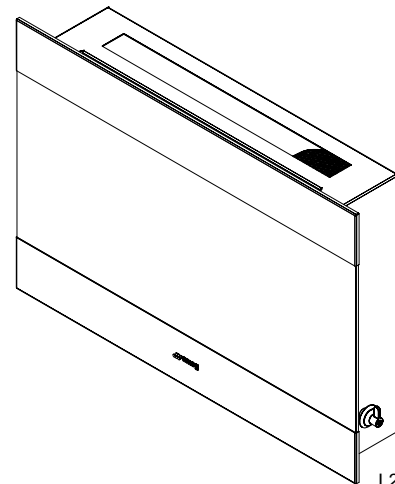
P23 Linear LPG



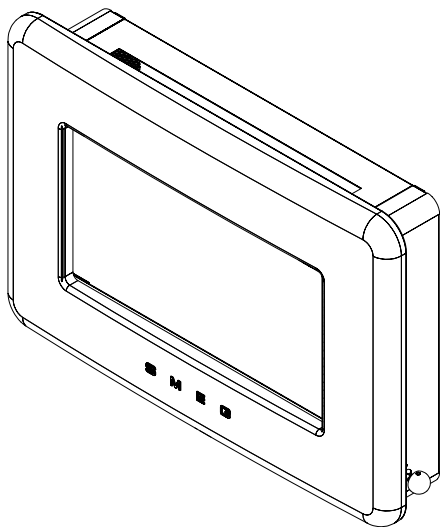
P23 Classic LPG



L23 Linear LPG



L23 Classic LPG



L30 Fab LPG

Please note : Except where otherwise stated, all rights, including copyright in the text, images and layout of this booklet is owned by Smeg (UK) LTD. You are not permitted to copy or adapt any of the content without the prior written permission of Smeg (UK) LTD.

The products covered by this booklet are protected under patent GB2275331B.

INSTALLATION INSTRUCTIONS

Section	Contents	Page No.	Section	Contents	Page No.
1.0	Important Notes	1	8.0	Testing and Commissioning	5
2.0	Appliance Data	2	8.1	Operating the Appliance	6
3.0	Installation Requirements	2	8.2	Setting pressure	6
3.1	Room Sizing	2	8.3	Fitting the Decorative Frame	7
4.0	Site Requirements	2	9.0	Briefing the customer	7
4.1	Ventilation	3	10.0	Servicing	7
5.0	Unpacking the Appliance	4	10.1	Servicing the Burner Unit	8
5.1	Component Checklist	4	10.2	Pilot Assembly	8
6.0	Gas Supply Routes	4	10.3	Catalysts	9
7.0	Fixing the Appliance	4	10.4	Testing for Firebox Leakage	9
7.1	Checking the Burner & Spark Gap	5	11.0	Troubleshooting Guide	10

1.0 IMPORTANT NOTES

This appliance is a high efficiency, flueless catalytic flame effect gas fire. It provides radiant and convected warmth both efficiently and safely utilising the latest type catalytic converter and burner technology. The appliance does not require a flue system of any type as the catalytic converter cleans the flue products to provide a complete combustion system, which is intrinsically safe. It is designed to operate on Propane and is factory set for operation on the gas type, and at the pressure stated on the appliance data plate.

The appliance incorporates a combustion monitoring system (Oxygen Depletion System). It must not be adjusted or put out of operation. If replaced then manufacturer's original parts must be used.

It is the LAW that all gas appliances and fittings are installed by a competent person and in accordance with the Gas Safety (Installation and Use) Regulations 1998, the relevant British Standards for Installation, Codes of Practice and the Manufacturers' Instructions.

At the time of writing, CORGI registered operatives are the only class of person considered as 'competent' by the HSE under the above regulations. The installation shall also be carried out in accordance with the following:

Failure to comply with the above could lead to prosecution and deem the manufacturer's warranty invalid.

- Manufacturers' Instructions.
- The Building Regulations issued by the Department for Communities and Local Government, the Building Standards (Scotland) (Consolidation) Regulations issued by the Scottish Development Department.
- Relevant British standards insofar as the relevant areas are not covered by these instructions.
- For Republic of Ireland, reference should be made to the current edition of IS813 (the relevant standards governing installation).

Propane/LPG models must not be installed in cellars, basements or any room which is completely below ground level.

This appliance must be installed in accordance with the rules in force and used only in a sufficiently ventilated space. The appliance is designed to fit various types of situations as described in sections 3.0 and 4.0. The appliance must be installed in a correctly sized room (see section 3.1), and the correct purpose provided ventilation must be provided (see section 4.1).

It should be noted that heaters create warm air currents. These currents move heat to wall surfaces next to the heater. Installing the heater next to vinyl or cloth wall coverings or operating the heater where impurities in the air (such as tobacco smoke, candle smoke etc.) exist, may cause the walls to become discoloured.

This appliance is intended as a secondary source of heat only and should not be used in a room without some form of background heating present. If the appliance is used in a room as the sole source of heat, then condensation may occur on colder surfaces within the room.

On first light up of a new appliance, initial curing of high temperature paint and burning off of lubricants may occur for the first few hours of operation. During this period some smoke may be emitted from the outlet grille, this should be no cause for concern. Accordingly, the room should be well ventilated with all windows and doors open during this period. During this period the appliance may cause smoke alarms to sound. If this happens, reset the alarms, but do not remove the batteries.

Consult ALL instructions before installation and use of this appliance. This appliance is free from any asbestos material.

2.0 APPLIANCE DATA

Gas Group - All models : G3I Propane CAT I3P

	P23 LPG Models	L23 LPG Models	L30 LPG Models
Inlet Pressure (± 2.0mbar)	37 mbar	37 mbar	37 mbar
Regulator Pressure	25 mbar	25 mbar	25 mbar
Max Energy Input (Gross)	1.7 kW	1.7 kW	2.2 kW
Max Energy Input (Net)	1.55 kW	1.55 kW	2.0 kW
Max Gas Rate	0.064 m ³ /h	0.064 m ³ /h	0.085 m ³ /h
Min Energy Input (Gross)	1.0 kW	1.3 kW	1.5 kW
Min Energy Input (Net)	0.92 kW	1.2 kW	1.38 kW
Pilot Energy Input (Gross)	166 W	166 W	166 W
Pilot Energy Input (Net)	152 W	152 W	152 W
Burner Pressures -			
High Hot (±1.5 mbar).	15.8 mbar.	15.2 mbar.	14.0 mbar.
High Cold (±1.5 mbar).	15.7 mbar.	15.2 mbar.	13.7 mbar
Low Hot (± 0.75 mbar).	5.1 mbar.	8.7 mbar.	6.0 mbar.
Low Cold (± 0.75 mbar).	5.0 mbar.	8.6 mbar	5.8 mbar.
Flow restrictor orifice	0.8 mm	0.8 mm	1.3 mm
Oxypilot (Seagas)	P5-19	P5-19	P5-19
Gas control	BM733	BM733	BM733
Gas Inlet restrictor elbow	8mm	8mm	8mm
Ignition	Piezo spark	Piezo spark	Piezo spark
Spark Gap (± 1.0mm)	4.0 mm	4.0 mm	4.0 mm

Please see Data Badge affixed to appliance for current data.

This appliance is for use only with the gas type, and at the pressure stated on the appliance Data Badge.

3.0 INSTALLATION REQUIREMENTS

If the appliance is to be sited near a disused or unserviceable fireplace served by a natural draught flue then the old flue must be sealed off. It will be necessary to ventilate the old flue to prevent condensation and dampness forming, however any air vent used to ventilate the old flue must not be sited within 500mm of this appliance. If the flue can be ventilated to the outside of the building then this is usually the best solution. If in doubt then advice should be sought from a local building control officer. The appliance is designed to be wall mounted. If the appliance is to be mounted on a newly fabricated area of wall that also serves the purpose of sealing off the old flue then it is very important that there are no holes, gaps or otherwise in this wall that will allow draughts from the old flue to enter the room, especially directly behind the appliance. Such draughts could affect the performance of the ODS system and result in nuisance cutting out, for example. If the gas supply pipe is to enter the appliance from the rear, i.e. emerge from the wall behind the appliance, then any hole in the wall from which the pipe emerges must be tightly sealed.

Any existing under grate draught device should be sealed off to prevent loss of heat or creation of draughts. It is possible to install the appliance onto certain types of combustible materials - see section entitled 'Clearances to combustible materials'.

3.1 ROOM SIZING

- P23 and L23 models :The room size should be a minimum of 23m³ (e.g. 10'1" x 10'1" x 8').
- L30 models :The room size should be a minimum of 30m³ (e.g. 11'6" x 11'6" x 8').

This is to allow adequate circulation of air and ensure the correct operation of the fire. This volume may include adjacent spaces but these spaces must not be separated by a door. *Note* : To calculate a room size in cubic metres (m³) divide the room volume in cubic feet (ft³) by 35.3.

4.0 SITE REQUIREMENTS

WARNING

This appliance is designed to be wall-hung. Do not recess any part of the appliance into the wall.

This appliance may be installed in any room in the home except bathrooms or bedrooms. Upon implementation of BS 5871 pt 4, installation in bedrooms is then permitted. If the appliance is to be fitted in a bedroom then an electronic carbon monoxide detector complying with the current edition of BSEN 50291 must be installed in the same room as the appliance. For maximum safety it is recommended that such device

is continuously (mains) powered and arranged in such a way that the gas supply to the appliance is isolated in the event of an alarm. The selection and installation of such device shall be in accordance with the current edition of BSEN 50292, and the user must be briefed regarding the use and maintenance of such a device. Installation in living rooms is common, however other rooms such as kitchens, dining rooms and hallways are permitted, providing a suitable propane supply is available, and rooms sizing and ventilation requirements are strictly adhered to (see sections 3.1 and 4.1).

4.0 SITE REQUIREMENTS (CONTINUED)

The appliance is designed to be versatile, and as such will operate correctly when exposed to normal gentle draughts experienced within the home. It is not recommended, however that the appliance be installed in areas where it is likely to be directly exposed to persistent strong draughts, that may be generated by outside doors, windows, air vents, air conditioning units, extractor fans, ceiling fans etc. See section 4.1 for more information on ventilation.

Clearances to non-combustibles

Non combustible surfaces are defined as brick, metal, marble, concrete etc. and also a number of man-made materials impervious to flame. If in doubt refer to the material manufacturer for further information before proceeding with installation.

Clearances to the sides of the appliance are 100mm (4"). Clearance to the front of the appliance is 500mm (20").

The back of the appliance may be installed directly onto a non-combustible wall, providing the area behind the appliance is flat and does not interfere with the various vent holes in the back panel of the appliance.

A non combustible shelf of any depth may be positioned above the appliance provided it is no closer than 400mm (15.75") from the top of the appliance glass panel and the wall above the appliance is non combustible.

The appliance must not be positioned vertically within 60mm (2.4") of a solid floor (i.e. wood or stone) or hearth. This dimension is measured vertically to the bottom of the appliance firebox.

Clearances to combustible materials

Combustible materials are defined as wood, fabrics, or other materials likely to combust if exposed to flame. Generally, any material, which is likely to discolour, melt or misshape when exposed to moderate heat, should be considered as a combustible material or surface.

Clearance to the sides of the appliance are 100mm (4") but curtains, drapes and other fabrics are not permitted within a distance of 500mm (20") of the appliance sides. No such materials are permitted directly above the appliance regardless of distance.

The minimum clearance to the ceiling above the appliance is 800mm (31.5") measured from the top of the appliance glass panel. Combustible materials should not be positioned directly in front of the appliance within a distance of one metre.

Under no circumstances should any electrical equipment e.g. plasma screen TV sets etc. be positioned on the wall above the appliance. The appliance is designed to be wall mounted alone and not in conjunction with any type of combustible fire surround. No combustible shelves should be positioned on the wall above the appliance. It should be established that any mirrors or picture frames etc. to be positioned on the wall above the appliance are able to withstand prolonged exposure to moderate heat and moisture before proceeding with their installation.

The back of the appliance may be installed directly onto a combustible wall, providing it is relatively flat and does not interfere with the various vent holes in the back panel of the appliance. The wall must be structurally sound and constructed from a material capable of withstanding moderate heat. Brick, concrete, finished plaster, most types of conventional wall paper and dry-lined plasterboard are examples of suitable materials. Materials such as flock, blown vinyl and embossed paper which are sensitive to even small amounts of heat should be avoided as scorching and or discolouration may occur over time.

If the appliance is to be mounted on a dry lined wall or a timber framed construction wall then the integrity and ability of the wall to carry the weight of the appliance must be confirmed. It is important in these circumstances that any vapour control barrier is not damaged, and that any structural members of the house frame are not damaged - refer to section 7.0.

The appliance must not be positioned vertically within 100 mm (4") of a carpeted floor, rugs or fabric materials of any kind. This dimension is measured vertically to the bottom of the appliance firebox.

4.1 VENTILATION

A minimum of 100 cm² purpose provided ventilation is required for this appliance. This may be achieved either with one vent 100 cm² at a high or low position in the room, or split ventilation i.e. 50cm² be installed at high level and 50cm² be installed at low level within the room. An openable window or equivalent is also required.

To reduce the possibility of draughts, road noise or insects entering the room via the air vent, we recommend the use of "Black Hole", "Vortex" or "Centurion" type vents featuring internal baffles. The requirements of any other gas, oil or solid fuel appliances operating in the same room or space must be taken into consideration when assessing ventilation.

Any ventilation fitted must comply with BS 5871 part 4 and BS 5440 part 2.

Ventilation fitted under, or within immediate vicinity of the appliance must not be used as it may adversely effect performance of the ODS system. For Republic of Ireland refer to the current edition of IS813 and any relevant rules in force. The appliance shall not be installed within 1 metre of any existing air vent, and any new air vent shall not be installed within 1 metre of the appliance.

5.0 UNPACKING THE APPLIANCE

Remove the outer packaging, remove any instructions or fixing kits.

Read ALL these instructions before continuing to unpack or install this appliance.

Lift off the remaining packaging components and remove the contents of the box.

Check that the components supplied correlate with the component checklist. Please dispose of all the packaging materials at your local recycling centre.

5.1 COMPONENT CHECKLIST

QUANTITY	DESCRIPTION
1	Firebox and burner assembly
1	Set of manufacturers instructions
1	Decorative glass facia assembly (Linear and Classic models)
1	Painted decorative facia in one of several colours (Fab models)
1	Screw and wall plug pack
4	M6 x 12 screws
1	Rubber grommet
1	Fitting template

6.0 GAS SUPPLY ROUTES

All models: There are four possible entry points for the gas supply pipework to enter the appliance firebox. The L23 firebox is shown in figure 1 as an example, but the relative location of these holes are the same for all models. These entry points are 'knock out' type holes. Non-concealed gas connections may be made using the entry points in the bottom or sides of the firebox. A concealed gas connection may be made using the knock out hole in the centre back of the firebox. Select the most appropriate entry point and knock out the relevant hole with a sharp tap from a hammer and fit the rubber grommet supplied. A small incision can now be made in the rubber to slip snugly around the outside of the supply pipe and sleeving.

All installation pipework must be in accordance with the current edition of BS 5482 pt 1 (propane installations) and for timber framed dwellings, the current edition of IGE/UP/7.

In order to avoid unnecessary pressure drops, no more than 1.5m of 8mm diameter pipe must be used. If a concealed gas connection is to be made, the supply pipe should always be sleeved through walls and floors using the shortest possible route. For concealed supply pipe routing, pipes must (where possible) be vertical and providing there is sufficient wall thickness available, they should be placed in pipe chases. Horizontal pipe runs should be avoided. Prior to chasing a solid wall, an inspection should be made to note the proximity of any cables/sockets outlets which may already be buried. Pipes must be secured using suitable clips and protected against corrosion. Ideally factory finished protected pipework and fittings should be used. Joints should be kept to a minimum and compression fittings must not be used. The pipework installation must be tested for tightness before any protection is applied and/or the pipework and fittings are buried.

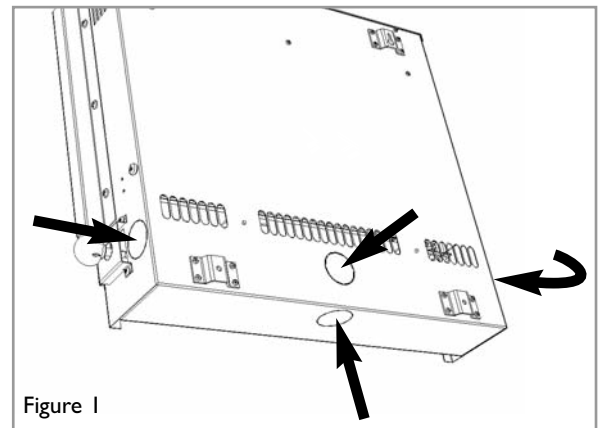


Figure 1

7.0 FIXING THE APPLIANCE

Remove any protective film coatings from the finished/decorative surfaces of the appliance. After having selected the final mounting position of the appliance, taking into account the requirements as specified in sections 3 and 4 of these instructions, the integrity of the wall, and the feasibility of the proposed supply pipe routing, the firebox of the appliance may be secured to the wall. To ensure customer safety, be sure to design the installation so that the strength of both the wall and any wall fixings used are sufficient.

! WARNING

The wall where the appliance is to be installed must be capable of long-term support of the total load of the appliance. Measures should also be taken to ensure sufficient strength to withstand the force of earthquakes, vibration and other external forces.

Smeg (UK) LTD assumes absolutely no responsibility for injuries and damages that may occur due to improper installation or handling. The appliance should not be installed until all wet plastering and/or dry wall sanding and wall painting has been completed. Do not block the ventilation holes of the appliance. The wall onto which the appliance is installed must be flat. Install only on a vertical surface. Avoid sloped surfaces.

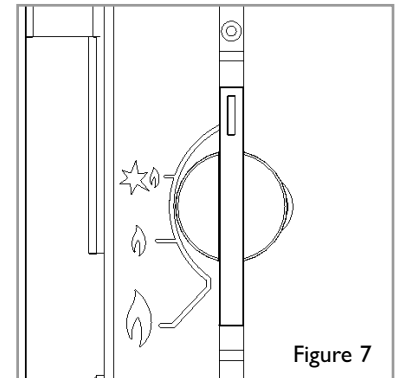
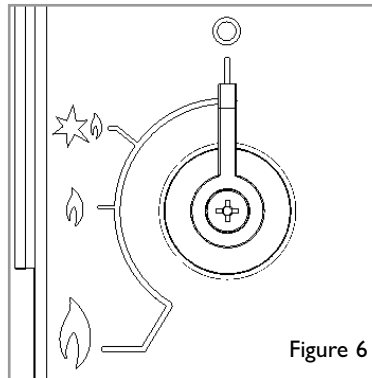
Installation onto anything other than a vertical wall may result in fire, damage or injury.

8.1 OPERATING THE APPLIANCE

Classic models : The control knob is located on the lower right hand side of the outer case. It is marked as shown in figure 6;

Linear models : The control knob is located on the lower right hand side of the outer case. It is marked as shown in figure 7;

Fab models : The control knob is located on the lower right hand side of the outer case. It is of a spherical design and is marked as shown in figure 8;

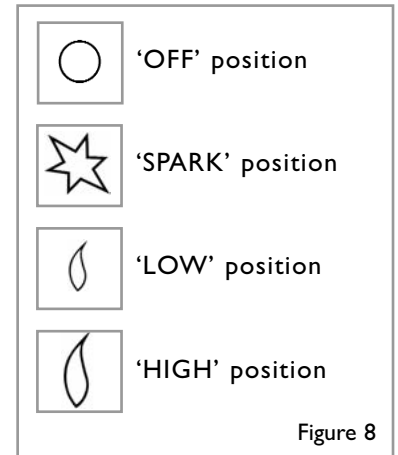


The pilot is visible behind the left hand side of the burner. Push in and turn the control knob to the SPARK position, and hold there for a few seconds. Continue turning anti-clockwise through the spark click to the PILOT light position, ensuring the pilot has lit. If not, return the knob clockwise, and repeat.

When the pilot lights after the spark, keep the knob depressed for approximately ten seconds. Now release the knob and the pilot should stay alight. If the pilot is extinguished during use, wait three minutes before repeating the ignition procedure.

To achieve the HIGH setting, push the control knob in slightly and continue turning anti-clockwise to the high position. The main burner should light after a few seconds. To decrease the setting to low, turn the control knob clockwise to the LOW setting.

To turn to the PILOT position from the HIGH or LOW positions, press the control knob in, and return to the pilot position and release. To turn the fire off, keep the knob pressed in, return to the OFF position and release.



8.2 SETTING PRESSURE

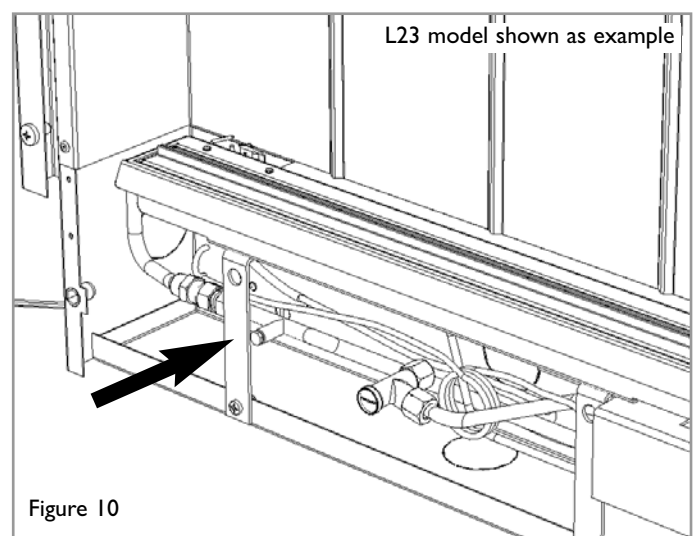
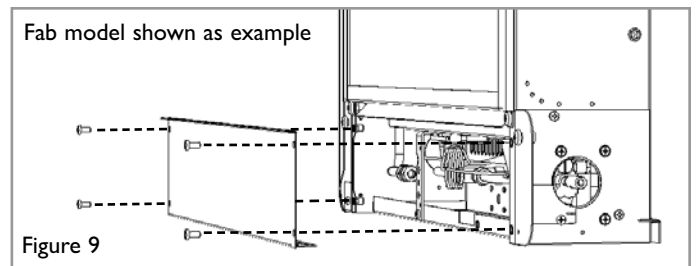
All models : The pressure test point is located on the left hand side of the appliance, on the main burner pipe, next to the brass restrictor/connector. Remove the burner cover plate to access, by removal of the four retaining screws as shown in figure 9. Release the setting pressure test point screw (shown in figure 10), and attach a pressure gauge. Light the fire on the HIGH setting.

To commission the appliance, the burner pressure must be in accordance with the figures stated in section 2.0 of these instructions. The fire is factory set to achieve these pressures and any significant variation could indicate a supply problem. If the pressure is too high, the gas supply meter may be set incorrectly. This should be checked with the fire running and if necessary reset by the gas supplier.

If the burner pressure is too low, then check the inlet pressure with the appliance running. If this is less than the inlet pressure stated in section 2.0 of these instructions it will need to be reset by the gas supplier. If the setting pressure is too low, but the meter pressure is acceptable, then a problem in the supply pipework is to be suspected.

Upon satisfactory checking of the burner pressure, turn the fire off, disconnect the pressure gauge and refit the test point screw. Light the fire and check for gas soundness. Re-fit the burner cover plate, and replace the four retaining screws.

In the event that the burner pressure is not in accordance with the figures stated in the data section of these instructions, the appliance must not be commissioned, and the manufacturer should be contacted for guidance.

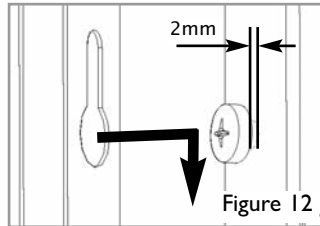


8.3 FITTING THE DECORATIVE FRAME ASSEMBLY

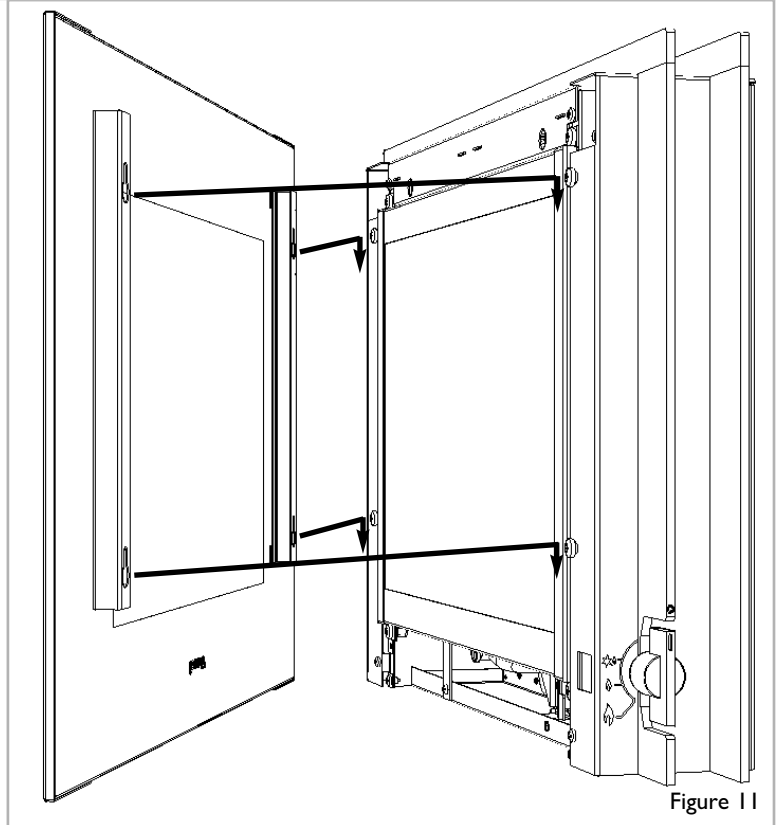
Please note that the Linear and Classic models are supplied with a tinted glass facia assembly, which differ in appearance when viewed from the front, similarly the Fab model is supplied with a metal facia, however the method of attachment to the appliance, for all frame designs, is the same.

All models : Remove the facia panel from any protective packaging. Ensure all/any protective film is removed as the facia may be damaged if the fire is lit with the facia in position whilst still covered in film.

The facia panel is supported by four M6 screws which protrude from the front of the outer casing as shown in figure 11. Ensure each screw is unscrewed approximately one turn from the fully screwed in position in order to create a 2mm gap as shown in figure 12.



Simply hang the facia panel onto the outer casing ensuring that the corresponding keyhole shaped holes engage the screwheads fully.



9.0 BRIEFING THE CUSTOMER

All instructions must be handed to the user for safekeeping. Show the customer how to light and control the fire. After commissioning the appliance, the customer should be instructed on the safe use of the appliance and the need for regular servicing. Frequency of service depends on usage, but **MUST** be carried out at least once annually.

Advise that cleaning of the fire may be achieved when the fire is cold using a damp cloth and mild detergent on most surfaces. Advise that on first light up of a new appliance, initial curing of high temperature paint and burning off of lubricants may occur for the first few hours of operation. During this period some smoke may be emitted from the outlet grille, this should be no cause for concern. Accordingly, the room should be well ventilated with all windows and doors open during this period. During this period the appliance may cause smoke alarms to sound. If this happens, reset the alarms, but do not remove the batteries. Recommend that a guard be used for the protection of the young, pets, the elderly and the infirm.

10.0 SERVICING

Isolate the fire from the gas supply. Ensure that the fire is fully cold before attempting service.

A suggested procedure for servicing is detailed below.

1. Lay out the dustsheet and tools.
2. Remove the decorative frame/glass facia assembly. Removal is reverse of section 8.3.
3. Remove the glass door assembly (4 screws) and clean carefully.
4. Inspect the burner and the catalyst and clean if necessary with a soft brush.
5. Disconnect the gas supply.
6. Detach the burner front cover plate by removal of the four retaining screws. Undo the four screws retaining the burner support brackets to the base and rear of the firebox. Remove the control knob and spindle assembly from the valve by removal of the spindle retaining clip.
7. Remove the burner unit, strip off the burner pipes and clean thoroughly.
8. Clean the in-line restrictor, pilot assembly and the burner tube. Do not attempt to remove the pilot injector as this can cause damage.
9. Re-assemble components.
10. Turn on the gas supply and leak test. Check pilot and burner for good ignition.
11. Refit the glass door assembly, ensuring correct orientation and a good seal.
12. Refit the decorative facia/frame assembly as detailed in section 8.3.
13. Check the purpose provided ventilation is un-obstructed.
14. Light the fire and test setting pressures.
15. Check safe operation of the appliance.

For specific servicing instructions, see relevant sections.

10.1 SERVICING THE BURNER UNIT AND GAS ASSEMBLY

All models : Firstly, remove the decorative frame/glass facia assembly as described in section 8.3. Remove the inner glass panel, and disconnect the gas connection inside appliance. The gas connections to the gas valve can now be released. Detach the burner front cover plate by removal of the four retaining screws (as shown in figure 10, section 8.2). Remove the control knob and spindle assembly from the valve by removal of the spindle retaining clip.

Classic and Linear models : To remove the outer casing (sides and top), remove the four retaining screws designated 'a' in figure 14. Pull the casing forward slightly and then lift the entire casing assembly upwards and remove.

Fab models : To remove the right hand casing side panel, remove the two screws shown in figure 16, then pull the right hand side forward and then sideways. Note - to remove the burner it is only necessary to remove the right hand side panel. The same method is used should it be necessary to remove the left hand panel.

All models : To remove the burner, undo the two screws retaining the burner support bracket (designated 'b' in figure 14) to the base and rear of the fire-box, and undo the four retaining screws on the right hand side panel, near the control valve as shown in figure 15. The burner may now be removed.

Remove the pilot and main burner pipes and blow through to dislodge any debris. Now remove the restrictor elbow and blow through to make sure it is entirely clear. Unclip the pilot lint gauze and clean with a soft brush. Clean the exterior of the pilot assembly with a soft brush and blow through the flame ports on the pilot head. Check the aeration holes are free from lint or dirt. The pilot assembly can be removed if required by disconnecting the electrode HT lead, gas pipe and unscrewing the mounting screws and lifting away.

The pilot assembly is a non-serviceable item and should not be taken apart. Aeration holes must be absolutely clear internally for proper operation. **NEVER MODIFY OR BEND THE THERMOCOUPLE TO MAKE THE PILOT STAY ALIGHT.** Modifications are dangerous and can have serious unseen effects on safety. If the pilot will not stay lit there is a problem with dirt, the gas supply to it, or the thermocouple needs replacement.

The gas valve is a non-serviceable item. If this needs replacement, remove M4 securing screw holding the valve in place, remove all pipe unions, electrode lead, thermocouple lead and then the complete valve. Replacement must be original manufacturers parts. Re-assembly is the reverse of removal. Ensure setting pressures are as stated in Section 2; Appliance Data.

10.2 PILOT ASSEMBLY

Clean the pilot assembly with a soft brush and blow through. Check the aeration holes are free of any dirt or lint. Clean thoroughly internally, the connection can be removed from the base of the pilot unit using two spanners to make cleaning easier. Do not damage or try to dismantle the pilot injector.

The unit is factory set and the only check necessary is to ensure the spark gap is correct. See specifications for gas setting.

NEVER MODIFY OR BEND THE THERMOCOUPLE TO MAKE THE PILOT STAY ALIGHT. If the pilot will not stay lit there is a problem with dirt, the gas supply, or the thermocouple needs replacement. Modifications are dangerous and can have a serious unseen effect on safety and therefore **MUST** not be done. Replacements must be original manufacturers parts. Re-assemble in the reverse of removal. Ensure setting pressures are as stated in Section 2; Appliance Data.

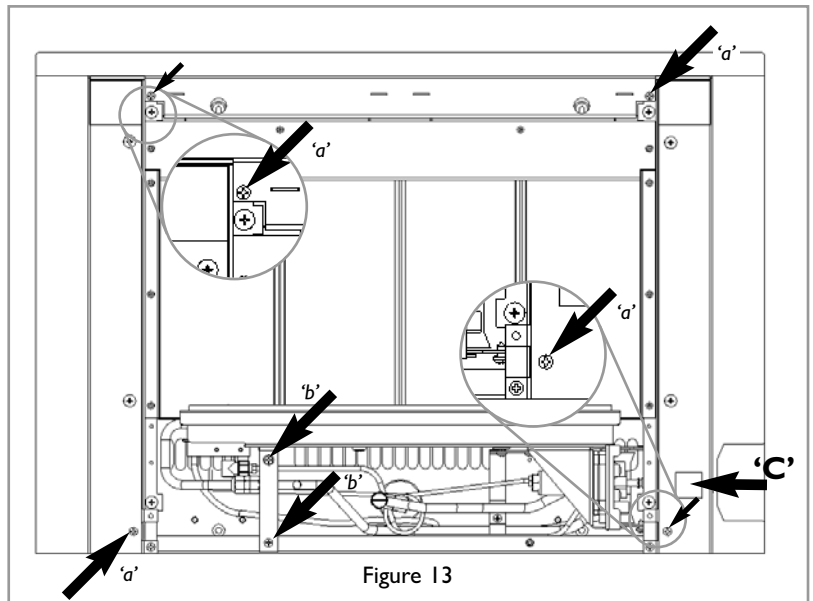


Figure 13

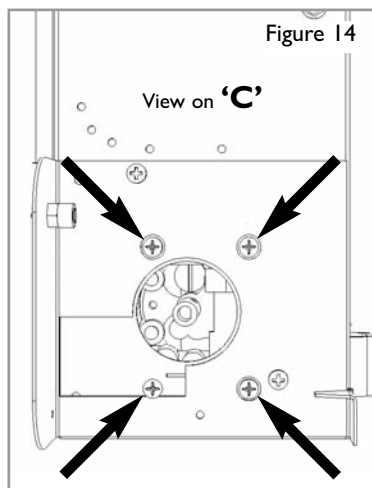


Figure 14

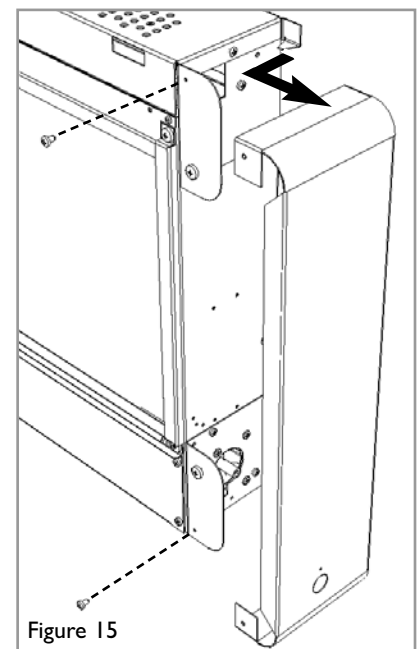


Figure 15

10.3 CATALYSTS

It is recommended that the catalysts are inspected for signs of damage and dirt during routine servicing procedures. The expected life of the catalysts is in excess of 11,000 hours (10 years of normal use). After this time the catalysts should be replaced.

If there are any deposits of dirt or soot on the catalyst they should be cleaned with a soft brush and a vacuum cleaner. If removed for cleaning ensure the seals are in good condition before replacing the catalyst. New seals will usually be required.

The performance of the catalysts may be checked using a combustion gas analyser as follows. Any analyser used should conform to BS7927 : 1998 + A1 : 1999.

Ignite the fire as per the operating instructions, and run at maximum setting for 15 minutes. Position gas sample probe directly over the catalysts via the outlet grille, on top of the appliance. Record the carbon dioxide (CO₂) concentration and then the carbon monoxide (CO) concentration as displayed by the analyser - also noting the units in which the values are expressed.

Most analysers display carbon dioxide (CO₂) concentrations in percentage (%) terms and carbon monoxide concentration in parts per million (ppm) terms.

In order to calculate the combustion ratio for the appliance (CO/CO₂) it is first necessary to express both gas concentrations in terms of percentage. To convert from parts per million (ppm) to a percentage (%) divide the ppm figure by 10,000. Examples : 35ppm = 0.0035%, 15ppm = 0.0015%, 5ppm = 0.0005%. Now divide the concentration of carbon monoxide (CO) expressed in percent by the concentration of carbon dioxide (CO₂) to obtain the appliance combustion ratio.

$$\frac{\text{CO (\%)}}{\text{CO}_2 (\%)} = \text{ratio}$$

The combustion ratio of the gasses emitted by the catalytic convertor should not exceed 0.0015.

If replacing, firstly, remove the decorative frame/glass facia as described in section 8.4. The catalysts are located on the top of the internal firebox and can be removed by unscrewing the retaining nuts securing the clamping plates. Remove the catalysts their seals and discard. Refit the new catalysts and seals in reverse order, ensure the catalysts and the glass door have good seals.

10.4 TESTING FOR FIREBOX LEAKAGE

Appliances that are several years old or have been extensively dismantled should be checked for soundness. It is important that all the products of combustion pass through the catalytic converter at the top of the firebox before leaving the appliance.

The firebox is heated by lighting for a few minutes to provide a flow through the firebox. The burner is then shut off and a smoke pellet or match introduced at the base of the fire underneath the burner tray. Large quantities of smoke will emerge from the top of the appliance, but none should emerge from the joints or gasket faces, especially around the door.

It is important to note that the appliance can never be expected to be 100% smoke tight and small quantities of smoke may be seen in corners of joints and gasket faces etc without affecting safety when the fire is in operation.

11.0 TROUBLESHOOTING GUIDE

Fire sparks but pilot does not light

No gas to fire, check isolators are open.
Pipe work blockage, clean out.
Air not fully purged, re purge supply or wait longer.
Spark earthing to metal work, reset gap correctly.
Blocked pilot, clean out internally.

Pilot lights but then goes out

Severe restriction in gas supply: clear obstruction.
Faulty thermocouple, replace pilot unit.
Blocked pilot, clean out.
Blocked lint gauze, clean.
Hold control knob in for longer.
Check control knob does not foul indicator plate.
If the pilot will not stay lit there is a problem with dirt, the gas supply, or the thermocouple needs replacement.
Modifications are dangerous and can have a serious unseen effect on safety. NEVER MODIFY OR BEND THE THERMOCOUPLE TO MAKE THE PILOT STAY ALIGHT.

Fire does not spark at pilot

HT lead detached, refit.
Check the spark gap (see section 8.2).
Faulty piezo unit, replace.
Debris shorting out electrode, clean.
Spark shorting to metalwork under tray, realign HT lead.

Fire runs for a time and then cuts off

Loose or faulty thermocouple, rectify.
Blocked pilot, clean out.
Dirt or lint in pilot aeration hole or on the lint gauze, clean thoroughly.
If the pilot will not stay lit there is a problem with dirt, the gas supply, or the thermocouple needs replacement.
Modifications are dangerous and can have a serious unseen effect on safety. NEVER MODIFY OR BEND THE THERMOCOUPLE TO MAKE THE PILOT STAY ALIGHT.

Pilot flame shrinks when fire is on high

Poor gas flow to fire, check pressure with fire on high.
If pressure is low, remove any restriction in pipework or valve.
Check all isolators are adequately sized and fully open.
Check meter pressure is adequate.
If the pilot will not stay lit there is a problem with dirt, the gas supply, or the thermocouple needs replacement.
Modifications are dangerous and can have a serious unseen effect on safety. NEVER MODIFY OR BEND THE THERMOCOUPLE TO MAKE THE PILOT STAY ALIGHT.

Fire smells when first lit or in use

Newness smell from brand new appliance.
Leakage occurring. Carry out leakage test and rectify any problems.
Combustible materials used in incorrect positions.

USER INSTRUCTIONS

Section	Content	Page No
1.0	Important Notes	1
2.0	Clearances to Combustibles	1
3.0	Ventilation & Room Size	2
4.0	Operating Instructions	3
5.0	Combustion Monitoring System	3
6.0	Cleaning	3
7.0	Servicing	4
8.0	List of Replacement Parts	4
9.0	Installation Details	4
10.0	Service History	4

1.0 IMPORTANT NOTES

The installation and Servicing of this fire **MUST** only be carried out by a competent person (such as a CORGI registered fitter) in accordance with the Gas Safety (Installation and Use) Regulations 1998, the relevant British Standards, Codes of Practice, the Building Regulations and the manufacturer's instructions.

Failure to comply with the above could lead to prosecution and invalidate the appliance warranty.

Keep a note of the installer's name and address, CORGI registration number, the original purchase receipt and the date of installation (see section 9.0 of these instructions). Failure to produce this information may invalidate the warranty.

The appliance should be serviced regularly to ensure continued safe operation. See the servicing section for further reference.

Parts of this appliance become naturally hot during use. It is recommended that a suitable fireguard conforming to BS 8423 is used, especially where young children, pets, the elderly or infirm are concerned. The manufacturer of this appliance considers all surfaces as working surfaces with the exception of the control knob and control panel.

Combustible items, such as flooring and furniture and soft wall coverings (such as blown vinyl or embossed paper), low temperature surrounds etc may discolour if fitted too close to the fire. See relevant section for further details on clearances to combustibles. No combustible materials or flooring should protrude onto the hearth (if fitted).

This appliance incorporates a combustion monitoring system (ODS).

DO NOT burn any foreign material on this fire. Under no circumstances shall the appliance be used if the glass front door or panel has been removed, damaged or is open. Do not place any objects on top of the appliance.

The integral catalysts should be checked by the installer upon servicing to ensure there are no defects or obstructions that may prevent the satisfactory flow of combustion products. The expected life of the catalyst is in excess of 11,000 hours (10 years of normal use). After this time the catalyst should be replaced.

This appliance is only suitable for the gas type for which it is supplied.

WARNING: Due to the nature of this product the area around the top of the appliance (i.e. the grille) gets very hot. Care should be taken when operating the appliance.

2.0 CLEARANCES TO COMBUSTIBLES

Clearances to non-combustibles

Non combustible surfaces are defined as brick, metal, marble, concrete etc. and also a number of man-made materials impervious to flame. If in doubt refer to the material manufacturer for further information before proceeding with installation.

Clearances to the sides of the appliance are 100mm (4"). Clearance to the front of the appliance is 500mm (20").

The back of the appliance may be installed directly onto a non-combustible wall, providing the area behind the appliance is flat and does not interfere with the various vent holes in the back panel of the appliance.

A non combustible shelf of any depth may be positioned above the appliance provided it is no closer than 400mm from the top of the appliance glass panel and the wall above the appliance is non combustible.

The appliance must not be positioned vertically within 60mm (2.4") of a solid floor (i.e. wood or stone) or hearth. This dimension is measured vertically to the bottom of the appliance firebox.

2.0 CLEARANCES TO COMBUSTIBLES - (CONTINUED)

Clearances to combustible materials

Combustible materials are defined as wood, fabrics, or other materials likely to combust if exposed to flame. Generally, any material, which is likely to discolour, melt or misshape when exposed to moderate heat, should be considered as a combustible material or surface.

Clearance to the sides of the appliance are 100mm (4") but curtains, drapes and other fabrics are not permitted within a distance of 500mm (20") of the appliance sides. No such materials are permitted directly above the appliance regardless of distance.

The minimum clearance to the ceiling above the appliance is 800mm (31.5") measured from the top of the appliance glass panel.

Combustible materials should not be positioned directly in front of the appliance within a distance of one metre.

Under no circumstances should any electrical equipment e.g. plasma screen TV sets etc. be positioned on the wall above the appliance. The appliance is designed to be wall mounted alone and not in conjunction with any type of combustible fire surround. No combustible shelves should be positioned on the wall above the appliance. It should be established that any mirrors or picture frames etc. to be positioned on the wall above the appliance are able to withstand prolonged exposure to moderate heat and moisture before proceeding with their installation.

The back of the appliance may be installed directly onto a combustible wall, providing it is relatively flat and does not interfere with the various vent holes in the back panel of the appliance. The wall must be structurally sound and constructed from a material capable of withstanding moderate heat. Brick, concrete, finished plaster, most types of conventional wall paper and dry-lined plasterboard are examples of suitable materials. Materials such as flock, blown vinyl and embossed paper which are sensitive to even small amounts of heat should be avoided as scorching and or discolouration may occur over time.

If the appliance is to be mounted on a dry lined wall or a timber framed construction wall then the integrity and ability of the wall to carry the weight of the appliance must be confirmed. It is important in these circumstances that any vapour control barrier is not damaged, and that any structural members of the house frame are not damaged - refer to section 7.0.

The appliance must not be positioned vertically within 100 mm (4") of a carpeted floor, rugs or fabric materials of any kind. This dimension is measured vertically to the bottom of the appliance firebox.

3.0 VENTILATION & ROOM SIZE

Purpose provided ventilation of 100cm² is required for this appliance. An openable window or equivalent is also required. Any ventilation fitted must comply with BS 5871 part 4 and BS 5440 part 2. Ventilation fitted under, or within immediate vicinity of the appliance must not be used as it may adversely effect performance of the combustion monitoring system (ODS) system. The appliance shall not be installed within 1 metre of any existing air vent, and any new air vent shall not be installed within 1 metre of the appliance.

The requirements of other appliances operating in the space or room must be taken into consideration when assessing ventilation requirements, this will have been carried out by your CORGI registered installer. A supply of fresh air into the room is advisable to maintain temperatures within limits.

This appliance must not be installed in a bathroom. For Republic of Ireland, see relevant rules in force.

- P23 and L23 models :The room size should be a minimum of 23m³ (e.g. 10'1" x 10'1" x 8').
- L30 models :The room size should be a minimum of 30m³ (e.g. 11'6" x 11'6" x 8').

This is to allow adequate circulation of air and ensure the correct operation of the fire. This volume may include adjacent spaces but these spaces must not be separated by a door. *Note* : To calculate a room size in cubic metres (m³) divide the room volume in cubic feet (ft³) by 35.3.

It should be noted that heaters create warm air currents. These currents move heat to wall surfaces next to the heater. Installing the heater next to vinyl or cloth wall coverings or operating the heater where impurities in the air (such as tobacco smoke, candle smoke etc.) exist, may cause the walls to become discoloured.

This appliance is intended as a secondary source of heat only and should not be used in a room without some form of background heating present. If the appliance is used in a room as the sole source of heat, then condensation may occur on colder surfaces within the room.

4.0 OPERATING THE APPLIANCE

Classic models : The control knob is located on the lower right hand side of the outer case. It is marked as shown in figure 6;

Linear models : The control knob is located on the lower right hand side of the outer case. It is marked as shown in figure 7;

Fab models : The control knob is located on the lower right hand side of the outer case. It is of a spherical design and is marked as shown in figure 8;

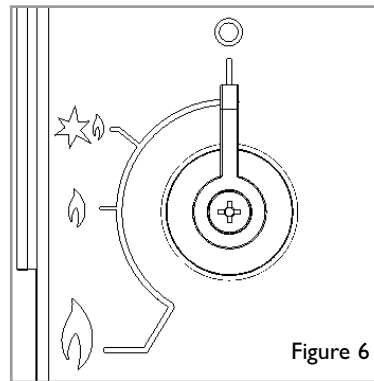


Figure 6

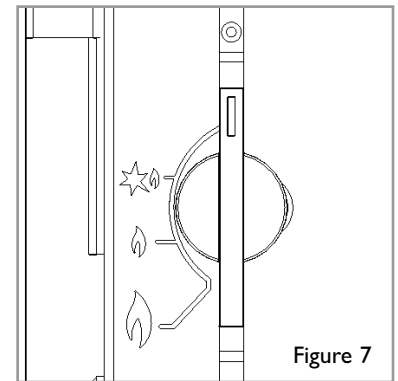


Figure 7

The pilot is visible behind the left hand side of the burner. Push in and turn the control knob to the SPARK position, and hold there for a few seconds. Continue turning anti-clockwise through the spark click to the PILOT light position, ensuring the pilot has lit. If not, return the knob clockwise, and repeat.

When the pilot lights after the spark, keep the knob depressed for approximately ten seconds. Now release the knob and the pilot should stay alight. If the pilot is extinguished during use, wait three minutes before repeating the ignition procedure.

To achieve the HIGH setting, push the control knob in slightly and continue turning anti-clockwise to the high position. The main burner should light after a few seconds. To decrease the setting to low, turn the control knob clockwise to the LOW setting.

To turn to the PILOT position from the HIGH or LOW positions, press the control knob in, and return to the pilot position and release. To turn the fire off, keep the knob pressed in, return to the OFF position and release.

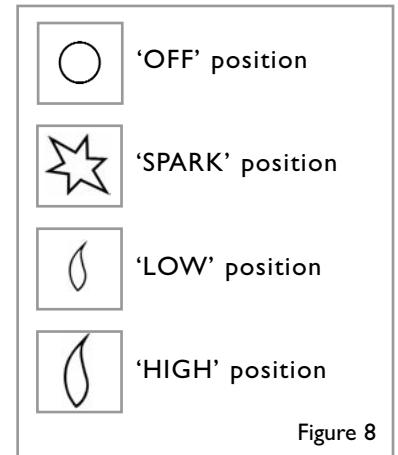


Figure 8

5.0 COMBUSTION MONITORING SYSTEM

This fire is fitted with a combustion monitoring safety device (ODS). If the appliance shuts down during use for no apparent reason then several reasons may be suspected.

If a door or window has been opened creating a draught, then pilot disturbance could be the problem and removal of the draught should resolve this. The appliance can then be re-lit in accordance with the previous section. If pilot disturbance is not the cause, then the ODS safety system may be in operation. Switch the appliance OFF, call in your installer to check the appliance and ventilation. Remedial work must be carried out as required. DO NOT allow the appliance to be used until the appliance and installation is passed as safe.

If the pilot continues to be extinguished, you must call your installer to check the operation of the complete appliance.

6.0 CLEANING

Before carrying out any of the following operations, ensure that the appliance is OFF and completely cold.

Regularly clean around the appliance to ensure that dust, fluff, pet hair etc, are kept to a minimum. There are no other specific requirements for care, other than regular cleaning of the general appliance. A wipe with a dry cloth is normally sufficient. **DO NOT** use abrasive cleaners as they can damage the finish. Metal parts may be cleaned using an appropriate metal cleaner or baby oil. Test on a hidden part of the aluminium before cleaning. Clean only in the direction of the grain.

GLASS PANEL - This can be cleaned with a suitable glass cleaner. Test on a small area first.

PAINTED AREAS - These can be cleaned using a dry cloth.

FINISHED METAL AREAS - These can either be cleaned using a proprietary metal cleaner or baby oil. Test on a small hidden part before cleaning. Always clean in the direction of the grain.

7.0 SERVICING

The appliance should be checked on an annual basis to ensure it is working safely and that there is no excessive build up of soot. The frequency of service will depend on usage, but **MUST** be carried out at least once annually. Servicing must be carried out by a competent person, such as a CORGI registered installer.

8.0 LIST OF REPLACEMENT PARTS

The Installation instructions carry full servicing details for the use of the installer.

PART NO.	ITEM
F960001	Inner glass door assembly (P23 models)
F960002	Inner glass door assembly (L23 models)
F960003	Inner glass door assembly (L30 models)
F730048	Pilot assembly
F730005	Gas valve
Please Enquire	Burner unit
F780079	Catalyst (seal kit must also be supplied)
F940136	Seal kit for Catalyst

9.0 INSTALLATION DETAILS

Model :	Supplied by :
Date installed :	
Fire serial No. :	
Name of installer :	
Corgi Reg. no. of installer :	

10.0 SERVICE HISTORY

Date of service	Serviced by :	Corgi Registration no. of Engineer