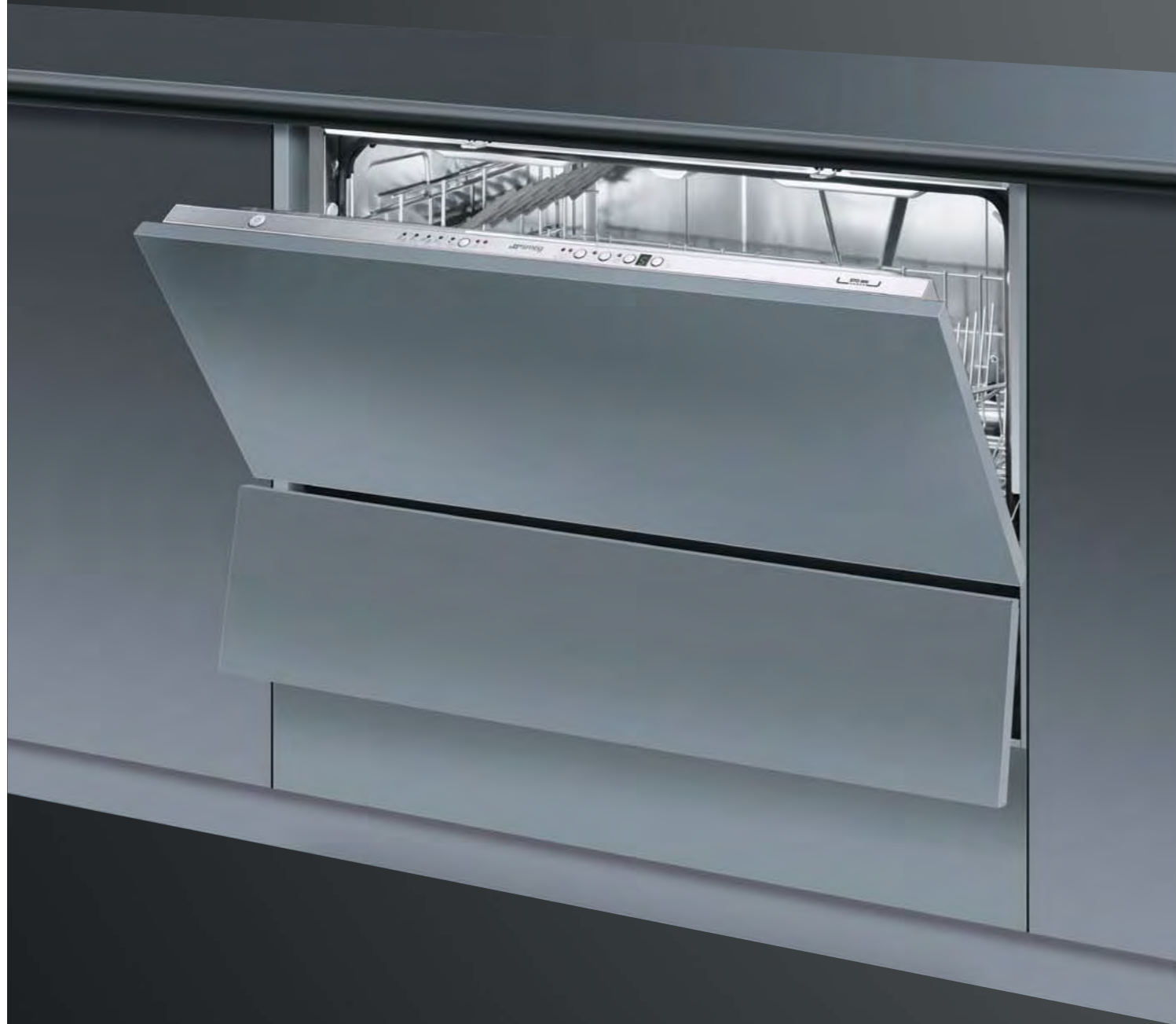


SMEG DISHWASHERS, STYLISH, INNOVATIVE AND EFFICIENT



Designed to produce optimum wash results with minimum use of energy and water, dishwashers are offered in a variety of types to suit any installation, and many of the styles can be co-ordinated with other Smeg appliances.

COMPREHENSIVE RANGE

The dishwasher is an essential component of the modern kitchen, but before deciding on a particular model it is worth considering the merits of a freestanding model, which will be more obviously visible in the room, or the clean lines of an integrated model, which will be incorporated as part of the kitchen design.

Freestanding

A freestanding dishwasher can be a good choice in a kitchen or utility room where the current style is not necessarily permanent, as its position can be changed very simply, without the need of installation work.

ST/STEEL



Models fully clad in stainless steel can be chosen with hidden controls or with a visible control panel, in a 60cm or 45cm width. Some are styled to co-ordinates with other Smeg appliances.

50's retro design in a choice of three bright bold shades and three soft pastel tones meets a high quality 60cm dishwasher to bring a touch of colour to the kitchen. The look is completed by the addition of colour coordinating racks and cutlery basket.

50'S RETRO STYLE



BLACK



WHITE



Smart gloss black and simple elegant white options complete the freestanding range, and can be selected in a 60cm or 45cm width. A freestanding model is available to suit any kitchen style or size, and there are different dishwasher specifications to match most requirements and budgets.

Built in

A wide range of built-in dishwashers encompasses four styles, some in 60cm and 45cm widths. There are also two horizontal integrated options, one 90cm wide and one 60cm. These offer a different slant on integrated dishwashing, and are described more fully overleaf.

FULLY INTEGRATED



If the style of the kitchen dictates that the appliances should be completely hidden to present a minimal effect, then the **fully integrated option** is ideal.

ST/STEEL DOOR



Built-in models with a **finger-friendly stainless steel door** and a Classic style handle may be selected in 60cm or 45cm versions to co-ordinate with other Smeg Classic appliances.

50'S RETRO



The **50's retro style** built-in dishwasher, with **colour co-ordinating cutlery basket and racks**, makes a bold statement in the kitchen.

HORIZONTAL



The **Horizontal option** provides the ideal solution for fitting a dishwasher into a suspended or fitted kitchen. Using the latest technology they are easy to install and effortless to use.

MAXIMUM PERFORMANCE

60cm Smeg dishwashers are available in a choice of 12, 13 or 14 place settings, with a greater freedom of placement in the dishwasher, anticipating the needs and expectations of modern consumers.

14 PLACE SETTINGS: THREE LOADING LEVELS

The 14 place setting configuration offers a **high load flexibility** and **greater performance**.



The main features are a **third top basket** created for cutlery and long kitchen utensils, an upper basket with **easy glide system** and 3-level height adjustment and a fully adjustable lower basket with tilting racks and inserts to support cups and glasses. All 3 baskets have **grey handles**.



10 PLACE SETTINGS: 45CM SPACE SAVING SOLUTION



The range also includes a number of 45cm dishwashers with 10 place settings, a great solution for singles or small kitchens.



With a capacity of just 10 place settings, these machines allow smaller daily wash cycles to be run efficiently in comparison with a 60cm model, where the same load size would leave wasted space.

Adaptable cutlery basket:
The top covers on the cutlery basket can be easily adjusted on either side to provide extra space in the centre to place larger items which are too bulky to fit otherwise.



13 PLACE SETTINGS: OPTIMISING SPACE

The 13 place setting configuration has been studied to **optimise the load** and reach **high performances**.



The interiors of these models feature **distinctive blue racks and cutlery baskets**, and higher specified models also include **blue handles** on both baskets, which have been re-designed. The upper basket can be automatically adjusted on 3 levels, even when the basket is loaded, to allow plates of up to 30cm diameter to be placed below, and the lower basket includes a number of adjustable sections.

EASE OF USE



Balanced door:

The hinges fitted on the dishwasher doors ensure that the door stays open at all angles, whatever position is chosen, allowing **easy loading** and unloading.



Sliding cutlery basket

The top and mid level 60cm models include a **newly designed cutlery basket** which slides from side to side, so that optimum use can be made of the available space in the lower basket.

12 PLACE SETTINGS: ECONOMIC AND PRACTICAL

12 place setting models are very simple to operate and offer a double A class performance for a modest outlay.

The two baskets hold a full 12 place setting load and can still accommodate 30cm diameter plates when the top basket is manually adjusted to its upper level.

FUNCTIONAL SOLUTIONS



FlexiZone

The $\frac{1}{2}$ load FlexiZone allows you to wash a reduced load **saving energy, water and time** and there are no restrictions on where the items are placed. Traditional half loads allow only one of the baskets to be used. FlexiZone can be found on most dishwashers, as either an option or a programme depending on the model.



Anti drip system

An exclusive anti-drip system is fitted to the front of the basket to prevent irritating drips on the floor as the basket is extracted. It is designed to improve the drying performance of the dishwasher.

INNOVATION & TECHNOLOGY

'PRESS AND RELEASE' DOOR FOR HANDLE-LESS KITCHENS



The DI6013NH features a patented 'press and release' door design which is a perfect solution for handle-less kitchen units as **no handle is needed**. By simply pressing the dishwasher door at the top in the centre, it makes a slight contact with the appliance and opens using Smeg's **patented sensor technology**. For safety reasons, the door locks automatically when the machine is in use to avoid it being opened inadvertently.

INTERNAL & EXTERNAL LIGHTING



Elegant **blue interior lights** feature in a selection of the built-in models which illuminate the inside of the dishwasher so that all the items can be clearly seen.

ACTIVE LIGHT

A number of built-in models include **ActiveLight**, a red LED light which projects a red spot onto the floor beneath the dishwasher door when the appliance is in use. This makes it immediately obvious that the appliance is running, just by glancing at the light on the floor, so that the door is not accidentally opened before the wash phase has finished.

ELECTRONIC CONTROL

Many models have electronic displays, either along the top edge of the door or visible on the fascia panel. They clearly indicate the programme selected and progress of the wash cycle, and also provide information on options selected and show salt or rinse aid requirements.



FRONT ADJUSTABLE LEVELLING FEET

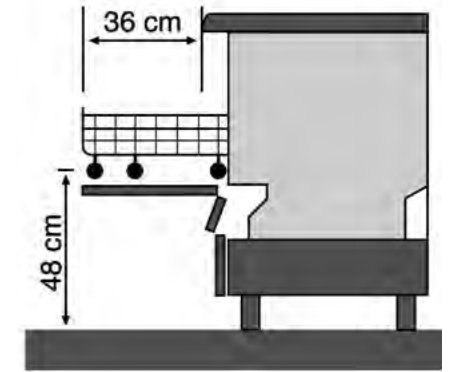


The majority of built-in models include **rear levelling feet** that can be **easily adjusted from the front**, allowing adjustment of the height of the machine when already integrated into the kitchen furniture. Levelling the appliance is essential for ensuring correct operation of the dishwasher, and with this innovative yet simple feature the need to attempt to level before installation is eliminated.

Smeg's design teams are continually working towards clever and innovative dishwashing features, always incorporating technological improvements in the most effective way to offer a design solution for every requirement. Attention to detail within the dishwashers has resulted in more choice and convenience for the user.

ERGONOMIC DISHWASHING CONCEPT

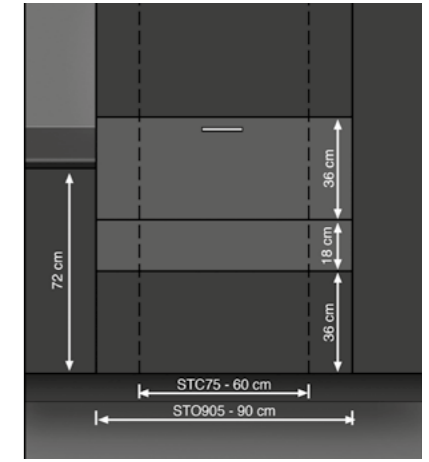
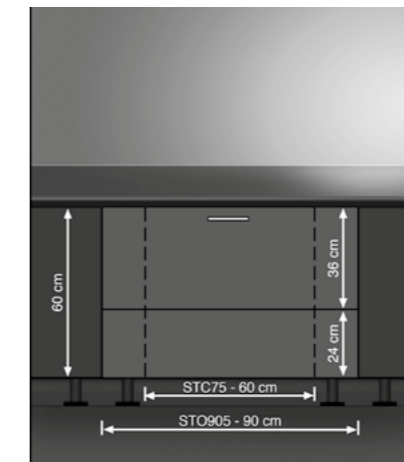
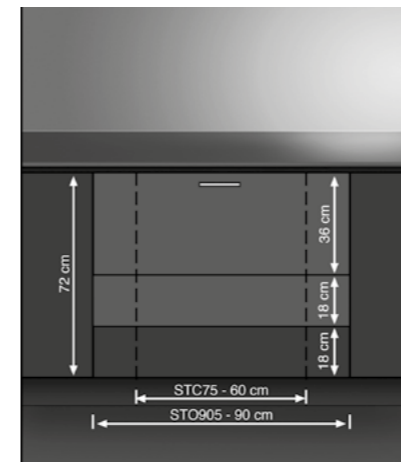
The clever design of dishwashers with a **single horizontal basket**, positioned higher off the floor than on a traditional model, combines **ergonomic operation** with a sophisticated appearance and excellent performance.



In the 90cm version there are two spray arms, allowing the **intensive wash zone** button to be activated to choose the left or right hand side of the load for a more intensive version of the selected programme, highly beneficial for mixed loads requiring different levels of cleaning. Both models feature a **rapid power wash** option that enables the dishwasher to complete a full 65° wash programme, including a rinse at 70° to achieve a residual dry in just 50 minutes. The 60cm model is very versatile, since its size allows it to be easily installed in a variety of ways using a standard 60cm oven housing.

Smeg **horizontal dishwashers** operate with a single basket positioned at a comfortable height of at least 48cm above floor level, allowing the contents to be loaded or unloaded with little bending. By requiring only 36cm to open the door fully, these dishwashers also benefit from being **space savers**, ideal for use in kitchens where floor space is restricted.

Versatile installation



SUSPENDED AND UNDER WORKTOP OPTIONS

IN-COLUMN OPTION

There are **three simple installation options** for horizontal dishwashers: under worktop, in suspended kitchen furniture or in-column. It is possible to plan a storage drawer beneath the dishwasher, up to 18cm in height when fitted under worktop or even taller when fitted in-column, where the dishwasher can be positioned at the optimum height for accessing its contents. The dishwasher door can match adjacent furniture or can be fitted with a stainless steel door kit to co-ordinate with other Classic appliances in the kitchen.

QUALITY & PERFORMANCE

WASH EFFICIENCY

Smeg research has resulted in two **excellent wash systems**: Orbital for 60cm models, and the Shuttle system for 45cm dishwashers.

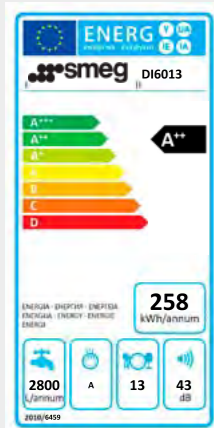


ORBITAL WASH SYSTEM: This system consists of a **double spray arm**, with contra-action rotation, which distributes water evenly throughout the cavity. The spray arm jets are perfectly shaped to direct the water with precision, ensuring an excellent wash quality and a greatly reduced noise level.



SHUTTLE SYSTEM: Since the 45cm dishwasher is rectangular rather than square in shape, the normal circular spray arm does not adequately cover the front and back of the cavity. The Shuttle system **patented by Smeg** overcomes this problem by shuttling the lower spray arm from front to back on a secondary supporting arm, ensuring **optimum water distribution** throughout to deliver excellent wash results while maintaining low consumption of water and energy.

EXPLAINING THE NEW EU ENERGY LABEL



The new EU energy label provides consumers with accurate, recognisable and comparable information on domestic household products regarding energy consumption, performance and other essential characteristics. The new labels now include:

- 7 energy classes maximum: from A+++ to D
- Annual energy consumption in kWh (no longer per cycle)
- Noise emissions in decibels
- Capacity in place settings
- Drying efficiency class
- Annual water consumption in litres
- All dishwashers must now have an 'A' class cleaning performance. For this reason cleaning performance is no longer indicated on the label.



Smeg dishwashers with A+ or A++ rating are highlighted with one of the following symbols.

ENERGY & WATER SAVINGS



ENERSAVE: At the end of the drying cycle a special device slowly automatically opens the door a few centimetres which **ensures perfect drying** and can **save up to 20% of energy** on some models.



AUTO: The length of an Auto programme depends on the need for a pre-wash and the number of rinses required, as monitored by the Aquatest, which automatically selects the programme most suitable for the degree of food debris found on the dishes.



AQUATEST: An electronic infrared sensor measures the clarity of the water during an Auto programme, and automatically ensures the **minimum consumption of water and energy** during the load. Models with Aquatest will have at least one Auto programme.



ENERGY SAVING TRUST RECOMMENDED: The Energy Saving Trust monitors companies and registers models that fully comply with the strict parameters set out by the Energy Efficiency Endorsement Scheme. Only the most energy efficient models bear the recommended symbol.

INCREASED CONVENIENCE

Smeg have developed a number of features and options that are intended to **save time or effort**, and allow the appliance to run at the convenience of the user. Each model has a selection of programmes with wash times from as little as 27 minutes up to a much longer, but **extremely energy efficient** 180 minutes, however an average family wash is likely to take between 95 and 120 minutes, estimated at approximately 100 minutes.



FINGER-FRIENDLY STAINLESS STEEL: The st/steel material used on the exteriors of Smeg dishwashers has a finger-friendly finish to assist in maintaining the surfaces in a pristine condition.



QUICK TIME: The Quick Time option can be selected in conjunction with all programmes except the pre-wash in order to reduce the length of the wash cycle up to 55%. By using higher temperatures and an intense mechanical spray action, Quick Time is able to save valuable time.



The new 1/2 load FlexiZone allows you to wash a reduced load saving energy, water and time and there are no restrictions on where the items are placed.



FLEXITABS: Regardless of the type of detergent used, the wash cycle adjusts to give the best possible results every time.



DELAY TIMER: A delay timer can postpone the start of the programme by up to 24 hours, for convenience and also to take advantage of off-peak energy periods.



CRYSTAL: The crystal cycle is a particular programme designed especially for delicate dishes with light dirt.



RAPID 27 MINS: A quick programme which takes just 27 minutes, suitable for a lightly soiled load.



STRONG & FAST: This special programme takes less than 1 hour to eliminate the most stubborn dirt and dried on residues.



ACTIVE LIGHT: an LED light which projects a red spot onto the floor beneath the dishwasher door when the appliance is in use, to stop accidental opening during a cycle.

QUIET OPERATION

In depth research and attention to detail has enabled Smeg dishwashers to become exceptionally quiet. The motor and pump are encased in special panels to absorb the noise and vibration, resulting in a noise level as low as 42dB(A) re 1 pW.



A dishwasher being monitored for sound under very specific test conditions in a laboratory before being assigned an official noise level.

PROTECTION



TOTAL ACQUASTOP: In addition to the partial Acquastop protection present in all Smeg dishwashers, some models have an electronic device fitted to the water intake hose, which monitors water levels in the machine, detects leaks in the hose and switches off the water supply immediately when necessary.



When the Hyclean option (or Ultracleanse programme) is selected, the dishwasher performs a final 10 minute rinse at a high temperature of 70°C, eliminating virtually all bacteria to achieve the highest possible standards of cleanliness. The Hyclean option can be selected with almost all cycles at temperatures above 50°C.

DF14SS

60CM DISHWASHER WITH HIDDEN CONTROLS,
FULLY CLAD IN ST/STEEL
ENERGY RATING: A+A



14 place settings
9 programmes
5 temperatures (38° 45° 50° 65° 70°)
Consumption (based on 280 cycles):
Water: 3360 litres per annum
Energy: 292 kW/year
Noise level: 39 dB (A) RE 1 pW

MODEL FEATURES

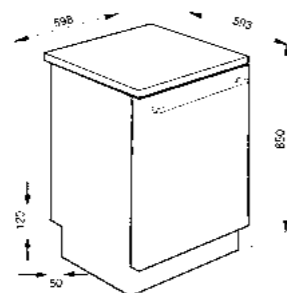


PROGRAMMES & OPTIONS



Maximum plate diameter 30cm
Average wash time approximately 100 mins, but Quick Time can reduce this by up to 55%

Handle co-ordinates with other Classic style products



DC146LSS

60CM DISHWASHER,
SILVER WITH ST/STEEL DOOR
ENERGY RATING: A+A



14 place settings
13 programmes
5 temperatures (38° 45° 50° 65° 70°)
Consumption (based on 280 cycles):
Water: 3360 litres per annum
Energy: 292 kW/year
Noise level: 43 dB (A) RE 1 pW

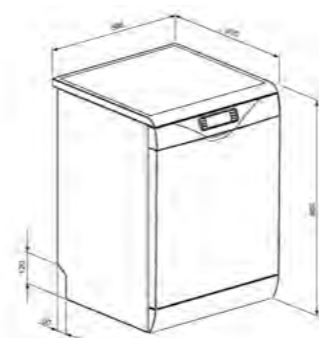
MODEL FEATURES



PROGRAMMES & OPTIONS



Maximum plate diameter 30cm
Average wash time approximately 100 mins, but Quick Time can reduce this by up to 55%



DC146LB

60CM DISHWASHER,
BLACK
ENERGY RATING: A+A



DC146LW

60CM DISHWASHER,
WHITE
ENERGY RATING: A+A



DC136LW

60CM DISHWASHER,
WHITE
ENERGY RATING: A++A



13 place settings
13 programmes
5 temperatures (38° 45° 50° 65° 70°)
Consumption (based on 280 cycles):
Water: 2800 litres per annum
Energy: 258 kW/year
Noise level: 43 dB (A) RE 1 pW

MODEL FEATURES



PROGRAMMES & OPTIONS



Maximum plate diameter 30cm
Average wash time approximately 100 mins

DC132LW

60CM DISHWASHER,
WHITE
ENERGY RATING: AA



13 place settings
7 programmes
4 temperatures (38° 50° 65° 70°)
Consumption (based on 280 cycles):
Water: 3060 litres per annum
Energy: 317 kW/year
Noise level: 47 dB (A) RE 1 pW

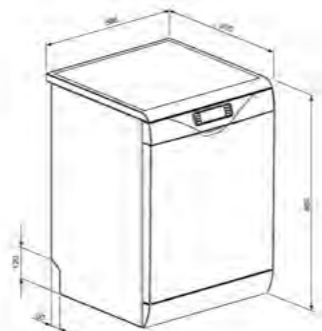
MODEL FEATURES



PROGRAMMES & OPTIONS



Maximum plate diameter 30cm
Average wash time approximately 100 mins



DC122SS

60CM DISHWASHER,
SILVER WITH ST/STEEL DOOR
ENERGY RATING: AA



12 place settings
5 programmes
4 temperatures (38° 50° 65° 70°)
Consumption (based on 280 cycles):
Water: 3360 litres per annum
Energy: 314 kW/year
Noise level: 49 dB (A) RE 1 pW

MODEL FEATURES



PROGRAMMES & OPTIONS



Maximum plate diameter 30cm
Average wash time approximately 100 mins



DC122W

60CM DISHWASHER,
WHITE
ENERGY RATING: AA



DC122B

60CM DISHWASHER,
BLACK
ENERGY RATING: AA



DF4SS

45CM DISHWASHER WITH HIDDEN CONTROLS,
FULLY CLAD IN ST/STEEL
ENERGY RATING: AA



10 place settings
5 programmes
4 temperatures (45° 55° 65° 70°)
Consumption (based on 280 cycles):
Water: 3080 litres per annum
Energy: 266 kWh/year
Noise level: 48 dB (A) RE 1 pV

MODEL FEATURES

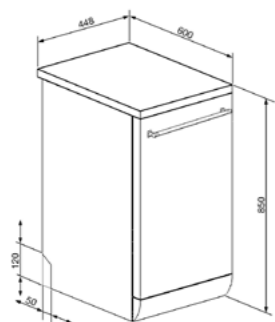


PROGRAMMES & OPTIONS



Maximum plate diameter 30cm
Average wash time approximately 100 mins

Handle co-ordinates with other Classic style products



D4SS

45CM DISHWASHER
FULLY CLAD IN ST/STEEL
ENERGY RATING: AA



10 place settings
9 programmes, incl. quick wash
5 temperatures (38° 45° 55° 65° 70°)
Consumption (based on 280 cycles):
Water: 3080 litres per annum
Energy: 266 kWh/year
Noise level: 48 dB (A) RE 1 pV

MODEL FEATURES

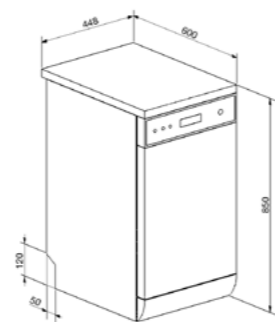


PROGRAMMES & OPTIONS



Maximum plate diameter 30cm
Average wash time approximately 100 mins

Electronic display shows options selected, salt & rinse aid requirements, length of programme and time left to end of cycle



D4SS
D4B

D4B

45CM DISHWASHER,
BLACK
ENERGY RATING: AA



10 place settings
9 programmes, incl. quick wash
5 temperatures (38° 45° 55° 65° 70°)
Consumption (based on 280 cycles):
Water: 3080 litres per annum
Energy: 266 kWh/year
Noise level: 48 dB (A) RE 1 pV

MODEL FEATURES



PROGRAMMES & OPTIONS



Maximum plate diameter 30cm
Average wash time approximately 100 mins

Electronic display shows options selected, salt & rinse aid requirements, length of programme and time left to end of cycle



D4W

45CM DISHWASHER,
WHITE
ENERGY RATING: AA



10 place settings
5 programmes
4 temperatures (45° 55° 65° 70°)
Consumption (based on 280 cycles):
Water: 3080 litres per annum
Energy: 266 kWh/year
Noise level: 52 dB (A) RE 1 pV

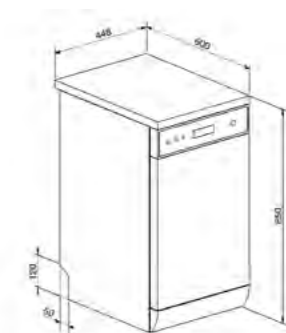
MODEL FEATURES



PROGRAMMES & OPTIONS



Maximum plate diameter 30cm
Average wash time approximately 100 mins



For additional information see pages 204-214

DF6FABR1

60cm 50's RETRO FREESTANDING DISHWASHER IN RED
ENERGY RATING: A++A



13 place settings
9 programs
5 temperatures (38° 45° 50° 65° 70°)
Consumption (based on 280 cycles):
Water: 2800 litres per annum
Energy: 258 kWh/year
Noise level: 42 dB (A) RE 1 pW

MODEL FEATURES



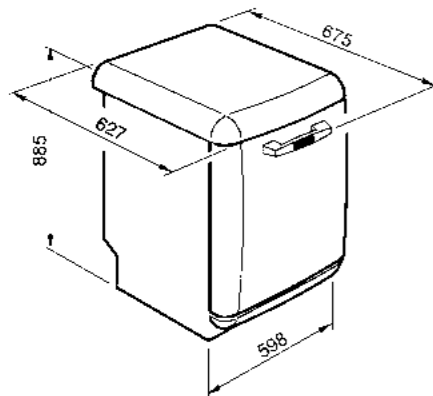
PROGRAMME OPTIONS



Maximum plate diameter 30cm
Average wash time approximately 100 mins, but Quick Time can reduce this by up to 55%

Colour co-ordinating cutlery basket and racks

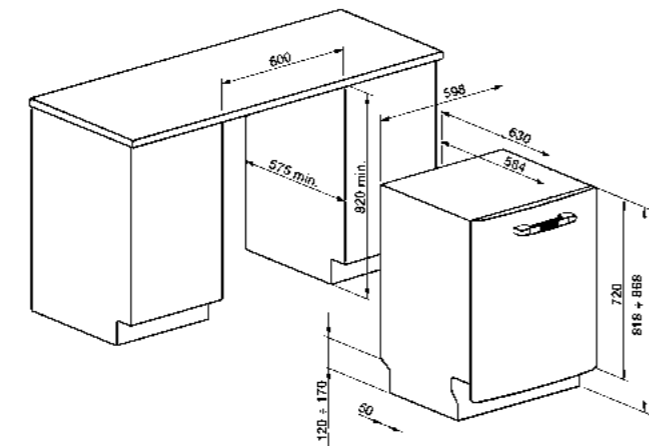
Retro fires, refrigeration and laundry are also available



NB: This dishwasher will not fit under a standard worktop. Please check measurements carefully and choose the built-in version if there is insufficient height.

DI6FABP1

60cm 50's RETRO BUILT-IN DISHWASHER IN CREAM
ENERGY RATING: A++A



NB: This dishwasher has rear levelling feet adjustable from the front.

FREESTANDING MODELS



DF6FABVE1 Lime Green



DF6FABR1 Red



DF6FABNE1 Black



DF6FABP1 Cream



DF6FABRO1 Pink



DF6FABAZ1 Pastel Blue

BUILT-IN MODELS



DI6FABR1 Red



DI6FABNE1 Black



DI6FABRO1 Pink



DI6FABP1 Cream

DISHWASHERS 50'S RETRO STYLE

DI6SS

60CM INTEGRATED DISHWASHER WITH ST/STEEL DOOR AND HANDLE
ENERGY RATING: A+A



14 place settings
9 programmes
5 temperatures (38° 45° 55° 65° 70°)
Consumption (based on 280 cycles):
Water: 3360 litres per annum
Energy: 292 kW/year
Noise level: 39 dB (A) RE 1 Pw

MODEL FEATURES



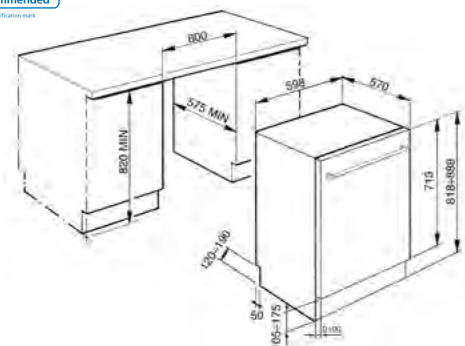
PROGRAMMES & OPTIONS



Internal light
Rear levelling feet adjustable from the front

Maximum plate diameter 30cm
Average wash time approximately 100 mins, but Quick Time can reduce this by up to 55%

Handle co-ordinates with other Classic style products



DI6014

60CM FULLY INTEGRATED DISHWASHER
ENERGY RATING: A+A



14 place settings
9 programmes
5 temperatures (38° 45° 55° 65° 70°)
Consumption (based on 280 cycles):
Water: 3360 litres per annum
Energy: 292 kW/year
Noise level: 39 dB (A) RE 1 Pw

MODEL FEATURES

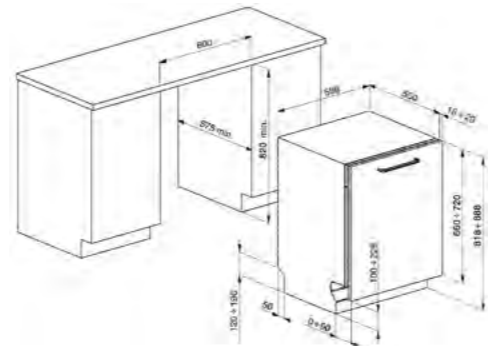


PROGRAMMES & OPTIONS



Internal light
Rear levelling feet adjustable from the front

Maximum plate diameter 30cm
Average wash time approximately 100 mins but Quick Time can reduce this by up to 55%



DI6MAX

MAXI HEIGHT

60CM **MAXI HEIGHT** FULLY INTEGRATED DISHWASHER
ENERGY RATING: A++A



13 place settings
9 programmes
5 temperatures (38° 45° 55° 65° 70°)
Consumption (based on 280 cycles):
Water: 2800 litres per annum
Energy: 258 kW/year
Noise level: 44 dB (A) RE 1 Pw

MODEL FEATURES

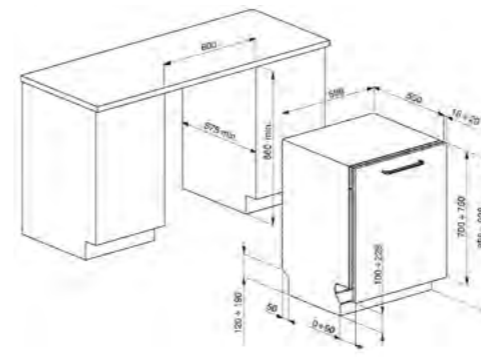


PROGRAMME & OPTIONS



Internal light
Rear levelling feet adjustable from the front

Maximum plate diameter 35cm
Average wash time approximately 100 mins, but Quick Time can reduce this by up to 55%
Maxi height of 86cm for extra capacity



DI6013NH

HANDLE-LESS

60CM FULLY INTEGRATED DISHWASHER
ENERGY RATING A++A



13 place settings
9 programmes
5 temperatures (38° 45° 50° 65° 70°)
Consumption (based on 280 cycles):
Water: 2800 litres per annum
Energy: 258 kW/year
Noise level: 44 dB (A) RE 1 Pw

MODEL FEATURES



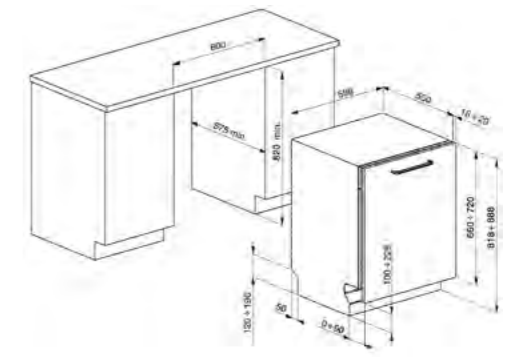
PROGRAMME & OPTIONS



Press and release door opening technology (automatic opening handle-less door)

Internal light
Rear levelling feet adjustable from the front

Maximum plate diameter 30cm
Average wash time approximately 100 mins, but Quick Time can reduce this by up to 55%



For additional information see pages 204-214

DI6013

60CM FULLY INTEGRATED DISHWASHER
ENERGY RATING: A++A



13 place settings
9 programmes
5 temperatures (38° 45° 55° 65° 70°)
Consumption (based on 280 cycles):
Water: 2800 litres per annum
Energy: 258 kWh/year
Noise level: 43 dB (A) RE 1 Pw

MODEL FEATURES

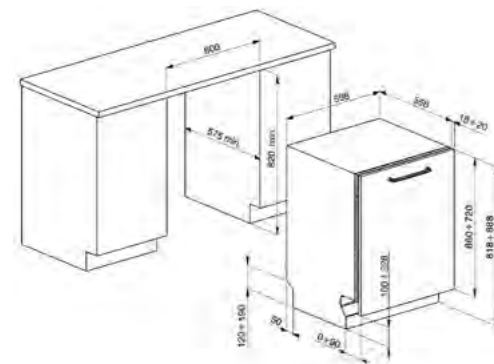


PROGRAMMES & OPTIONS



Rear levelling feet adjustable from the front

Maximum plate diameter 30cm
Average wash time approximately 100 mins, but Quick Time can reduce this by up to 55%



DI6012

60CM FULLY INTEGRATED DISHWASHER
ENERGY RATING: AA



12 place settings
5 programmes
4 temperatures (45° 55° 65° 70°)
Consumption (based on 280 cycles):
Water: 3360 litres per annum
Energy: 314 kWh/year
Noise level: 48 dB (A) RE 1 Pw

MODEL FEATURES

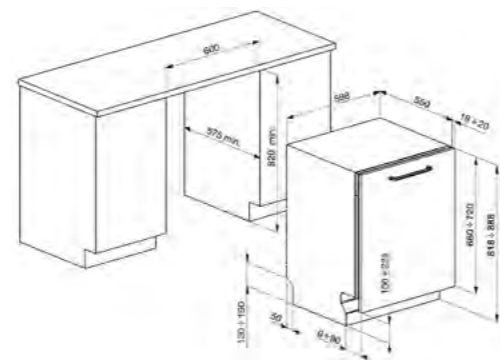


PROGRAMMES & OPTIONS



Rear levelling feet adjustable from the front

Maximum plate diameter 30cm
Average wash time approximately 100 mins



DI45S

45CM INTEGRATED DISHWASHER WITH ST/STEEL DOOR AND HANDLE
ENERGY RATING: AA



10 place settings
5 programmes
4 temperatures (45° 55° 65° 70°)
Consumption (based on 280 cycles):
Water: 3080 litres per annum
Energy: 266 kWh/year
Noise level: 48 dB (A) RE 1 Pw

MODEL FEATURES

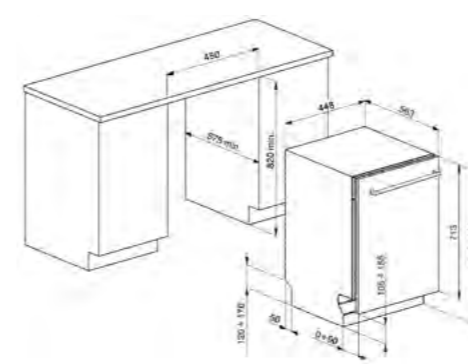


PROGRAMME OPTIONS



Maximum plate diameter 30cm
Average wash time approximately 100 mins

Handle co-ordinates with other Classic style products



DI4

45CM FULLY INTEGRATED DISHWASHER
ENERGY RATING: AA



10 place settings
5 programmes
4 temperatures (45° 55° 65° 70°)
Consumption (based on 280 cycles):
Water: 3080 litres per annum
Energy: 266 kWh/year
Noise level: 46 dB (A) RE 1 Pw

MODEL FEATURES



PROGRAMME OPTIONS



Maximum plate diameter 30cm
Average wash time approximately 100 mins

