

## SMEG LAUNDRY, WASHING & DRYING EXPERTISE



Offering **excellent performance** and sought after style, the distinctive design of Smeg washing machines and washer dryers make them not simply appliances useful for doing the chores, but also inspirational pieces of kitchen furniture combining practicality with technology and grace.

## LAUNDRY RANGE – OPTIMUM CHOICE

Smeg offer a wide choice of freestanding laundry products – from 50's Retro style washing machines, designed to coordinate with the iconic FAB refrigeration range, to stylish st/steel or white models. Smeg also offer built in laundry products to complete the range.



**New EU energy labels** have been designed for washing machines whereby pictograms highlight selected performances such as annual water and energy consumptions based on 220 cycles (an important change from previous washing machine energy labels which were shown per cycle), and noise level on washing & spinning phases. All machines are now rated **"A"** for **washing efficiency class** as a standard, therefore it is no longer required on the energy label. The energy label for Washer-dryers has not changed; showing performances per cycle.

**A+** Smeg washing machines with A+ energy rating are highlighted with this symbol.

## INCREASED CAPACITY & FLEXIBILITY

Almost all Smeg laundry products now feature an impressive 7kg capacity (for washing machines) or 7kg/4kg (for washer dryers)



A series of **special programmes and functions** have been added to the traditional programmes to provide the best washing care for different types of textiles and laundry.

Programmes include Super fast 15, Gym, shirts, jeans and mixed fabrics. **Programmes can be customised** by selecting various options such as temperature, spin speed, extra rinse and flexitime that make doing the laundry easier and more efficient. Furthermore **recommended load** indicates the optimal load weight for the selected cycle in order to get the best results.

The **FlexiTime** option allows the user to reduce the time of the cycle providing high flexibility and control.

A cleaning programme has been created to maintain the performance of the washer-dryer. The display shows automatically when cleaning is needed.

## SPECIAL PROGRAMMES

**Gym:** designed for washing lightly soiled garments i.e. sportswear, this is a fast wash which is also kind to fabrics

**Shirts:** providing the best ironing results in a short time, this cycle washes shirts with the utmost care using a delicate spin for easy ironing.

**Jeans:** a cycle which is kind to the colour and fabric of denim whilst minimizing wrinkles.

**Night:** ideal for those who want to take advantage of reduced energy rates during the night, this cycle is particularly quiet due to slower rotations of the drum.

**Super fast 15 min:** this programme is designed to wash small amounts of laundry fast, ideal for washing lightly soiled garments.

**Hand wash:** this specific programme for delicate fabrics uses slower rotations of the drum to ensure the utmost care for clothing.

## FRONT ADJUSTABLE LEVELLING FEET

Built in models include **rear levelling feet that can be easily adjusted from the front**, allowing you to alter the height of the machine once integrated into the kitchen furniture. Levelling the appliance is essential for ensuring correct operation of the washer, and with this innovative yet simple feature the need to level before installation is eliminated.

WMFABRO1

60CM FREESTANDING 50'S STYLE WASHING MACHINE, PINK  
ENERGY RATING: A+B



Electronic display includes 24h delay timer and **recommended load**

7 buttons: start/pause, child lock, delay timer, option selector, confirmation selector, spin speed, and temperature selector  
On/off & programme control

Electronic display shows programme selected and progression

15 washing programmes including  
Special programmes; mix, gym, jeans, shirts, hand wash, softener, night, and Superfast 15 min  
Customised options; variable temperature, spin speed up to 1400 rpm and option selector including **FlexiTime**  
**Max 7kg of dry laundry**  
St/st drum and polypropylene tank  
Self clean detergent drawer  
Extra large 300mm porthole  
Automatic variable load  
Total acquastop

Consumption (220 cycles)  
Water: 10340 litres/ per annum  
Energy: 222kWh / per annum  
Noise level washing phase 59 dB(A) re 1 pW  
Noise level spinning phase 78 dB(A) re 1 pW  
Nominal power: 2.00kW

Energy efficiency class: A+  
Spin drying performance: B

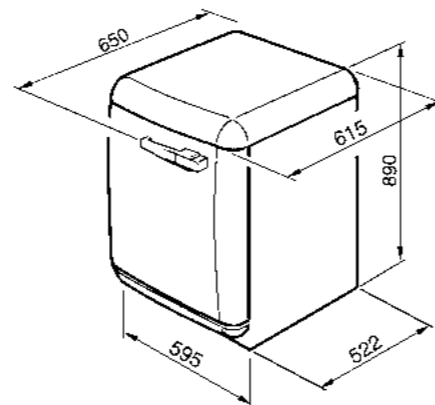
Retro fires, refrigeration and dishwashers are also available



WMFABAZ1  
pastel blue

WMFABP1  
cream

WMFABNE1  
black



NB: This washing machine will not fit under a standard work top. Please check measurements carefully.

WMF147X

60CM FREESTANDING WASHING MACHINE,  
STAINLESS STEEL  
ENERGY RATING: A+B



Electronic display includes 24h delay timer and **recommended load**

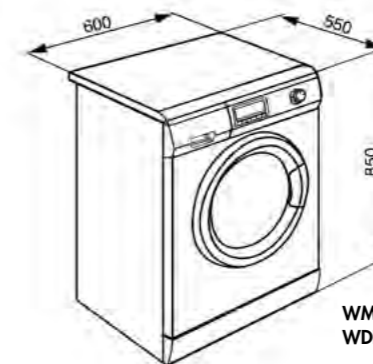
6 buttons: start/pause, child lock, option selector, confirmation selector, spin speed, and temperature selector  
On/off & programme control

Electronic display shows programme selected and progression

15 washing programmes including  
Special programmes; mix, gym, jeans, shirts, hand wash, softener, night, and Superfast 15 min  
Customised options; variable temperature, spin speed up to 1400 rpm and option selector including **FlexiTime**  
**Max 7kg of dry laundry**  
St/st drum and polypropylene tank  
Self clean detergent drawer  
Extra large 300mm porthole  
Automatic variable load  
Double total acquastop system

Consumption (220 cycles)  
Water: 10340 litres/ per annum  
Energy: 222kWh / per annum  
Noise level washing phase: 59dB (A) re 1 pW  
Noise level spinning phase: 75dB (A) re 1 pW  
Nominal power: 2.00kW

Energy efficiency class: A+  
Spin drying performance: B



WMF147X  
WDF147XS

WDF147XS

60CM FREESTANDING WASHER DRYER,  
STAINLESS STEEL  
ENERGY RATING: AA



Electronic display includes 24h delay timer and **recommended load**

6 buttons: start/pause, drying, option selector, confirmation selector, spin speed, and temperature selector  
On/off & programme control

Electronic display shows programme selected and progression

15 washing programmes including  
Special programmes; mix, gym, shirts, softener, night, and Superfast 15 min  
Customised options; variable temperature, spin speed up to 1400 rpm and option selector including **FlexiTime**  
6 automatic drying programmes  
Humidity sensor that automatically calculates dry time  
**Clean programme**  
**Max washing capacity: 7kg**  
**Max drying capacity: 4kg**  
St/st drum and polypropylene tank  
Self clean detergent drawer  
Extra large 300mm porthole  
Automatic variable load  
Total acquastop

Consumption (per cycle):  
For washing only: water: 47 litres, energy: 1.19kW/h  
For complete 7Kg wash + 2 sessions of 4Kg drying: Water 99 litres, energy: 4.76kW/h  
Nominal power: 2.00kW

Energy efficiency class: A  
Washing performance: A

WMF147

FREE-STANDING WASHING MACHINE,  
WHITE  
ENERGY RATING: A+B



Electronic display includes 24h delay timer and **recommended load**  
6 Buttons: Start/pause, child lock, confirm options, option selector, spin speed, temperature selection  
On/off control & programme control

Electronic display shows programme selected and progression

15 washing programmes including  
Special programmes; mix, gym, shirts, jeans, superfast 15', hand wash, night and softener  
Customised options; variable temperature, spin speed up to 1400rpm and option selector including **FlexiTime**  
**Max 7Kg of dry laundry**  
St/steel drum and polypropylene tank  
Self clean detergent drawer  
Extra large 300mm porthole  
Automatic variable load  
Double total aquastop system

Consumption (220 cycles)  
Water: 10340 litres/ per annum  
Energy: 222kWh / per annum  
Noise level washing phase: 59 dB(A) 1 re pW  
Noise level spinning phase: 75 dB(A) 1 re pW  
Nominal power: 2.00kW

Energy efficiency class: A+  
Spin drying performance: B

WDF147S

FREE-STANDING WASHER-DRYER,  
WHITE  
ENERGY RATING: AA



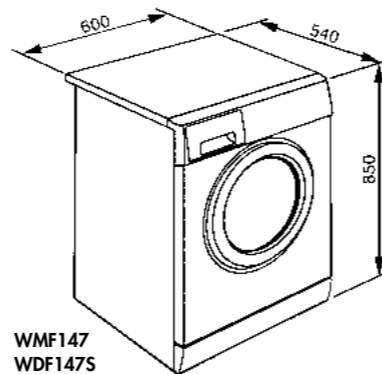
Electronic display includes 24h delay timer and **recommended load**  
6 Buttons: Start/pause, drying, confirm options, options selector, spin speed, temperature selector  
On/off & programme control

Electronic display shows programme selected and progression

15 wash programmes including  
Special programmes; mix, gym, shirts, night, super fast 15' and softener  
Customised options; variable temperature, spin speed up to 1400rpm and option selector including **FlexiTime**  
6 automatic drying programmes  
Humidity sensor that automatically calculates dry time  
**Clean programme**  
**Max washing capacity: 7kg**  
**Max drying capacity: 4kg**  
St/steel drum and polypropylene tank  
Self clean detergent drawer  
Extra large 300mm porthole  
Automatic variable load  
Total Aquastop

Consumption (per cycle):  
For washing only: water: 47 litres, energy: 1.19kW/h  
For complete 7Kg wash + 2 sessions of 4kg drying: water: 99 litres, energy: 4.76kW/h  
Nominal power: 2.00 kW

Energy efficiency class: A  
Washing performance: A



WMF147  
WDF147S

WMI147

FULLY INTEGRATED WASHING MACHINE  
ENERGY RATING A+B



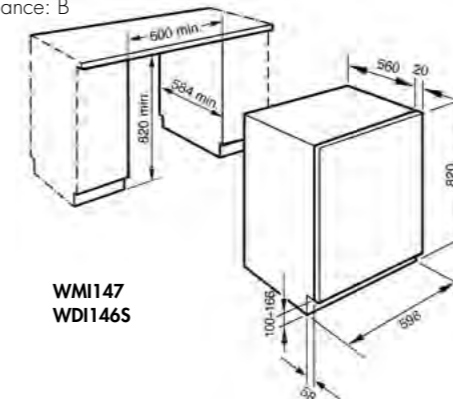
Electronic display includes 24h delay timer and **recommended load**  
7 buttons: start/pause, child lock, delay timer, confirm options, option selector, spin speed, temperature selector  
On/off & Programme control  
Door opening release

Electronic display shows programme selected and progression

15 washing programmes including  
Special programmes; mixed fabrics, gym, shirts, jeans, super fast 15', hand wash, night and softener  
Customised options; variable temperature, spin speed up to 1400rpm, and option selector including **FlexiTime**  
**Max 7Kg of dry laundry**  
St/steel drum and polypropylene tank  
Self clean detergent drawer  
Extra large 300mm porthole  
Automatic variable load  
Rear levelling feet adjustable from the front  
Total aquastop

Consumption (220 cycles)  
Water: 10340 litres/ per annum  
Energy: 222kWh / per annum  
Noise level washing phase: 56 dB(A) 1 re pW  
Noise level spinning phase: 72 dB(A) 1 re pW  
Nominal power: 2.00kW

Energy efficiency class: A+  
Spin drying performance: B



WMI147  
WDI146S

WDI146S

FULLY INTEGRATED WASHER/DRYER  
ENERGY RATING BA



Electronic display includes 24h delay timer and **recommended load**  
7 buttons: start/pause, drying, delay timer, confirm options, options selector, spin speed, temperature selector  
On/off & Programme control  
Door opening release

Electronic display shows programme selected and progression

12 washing programmes including  
Special programmes; mixed fabrics, gym, shirts, night, super fast 15'  
Customised options; variable temperature, spin speed up to 1400rpm, and option selector including **FlexiTime**  
6 automatic drying programmes  
Humidity sensor that automatically calculates dry time  
**Clean programme**  
**Max washing capacity: 6Kg dry laundry**  
**Max drying capacity: 4Kg**  
Condenser drying  
St/steel drum and polypropylene tank  
Self clean detergent drawer  
Extra large 300mm porthole  
Automatic variable load  
Rear levelling feet adjustable from the front  
Total aquastop

Consumption (per cycle):  
For washing only: water: 47 litres, energy: 1.02kW/h  
For complete 6Kg wash + 2 sessions of 3Kg drying: Water 85 litres, energy: 4.85kW/h  
Nominal power: 2.00kW

Energy efficiency class: B  
Washing performance: A

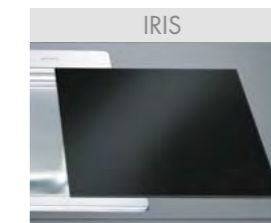
## SMEG SINKS AND TAPS, QUALITY DESIGN AESTHETICS



Smeg sinks and taps are high quality products with captivating design and aesthetics. The collection encompasses a number of design orientated and functional sinks that will make an eye-catching style statement in any kitchen.

## STYLISH SINKS AND TAPS FOR EVERY HOME

Smeg have a large range of stainless steel sinks with outstanding quality and superb style. The drainers are considered a design feature, with a number of different options that make Smeg sinks quite unmistakable. A spectrum of choices - **Quadra, Mira, Iris, Stilla, Alba and Rigae** - are available to suit your kitchen.



The majority of Smeg sinks are in high quality 18/10 st/steel, with a substantial thickness resulting in a long working life. Finishes include, **brushed**: a brilliant effect that keeps its good looks and a finger friendly scratch resistant **'fabric' finish**. The **Mira** sink range features minimum radius 15mm corners instead of square ones, making cleaning easier whilst retaining the overall appearance of a square design.

### Installation options

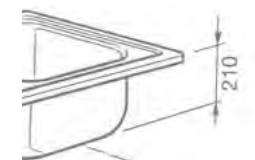
The large range of models offers a selection of installation choices in a **variety of widths** with co-ordinating accessories and taps.



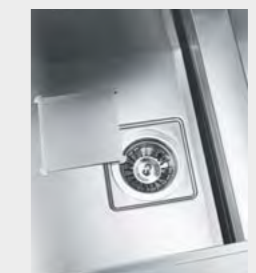
**Inset, low profile and undermounted styles** with curved or squared corners, and single, double or triple bowl options, with or without drainer, all of them easy to install.

### Extra deep bowls

Extra deep sinks offer a greater capacity and versatility. The majority of Smeg sinks are **210mm deep**, approximately 40% deeper than most other sinks on the market.



## THE PERFECT SINK, TAP AND ACCESSORY FOR EVERY KITCHEN



To complement the Linea cooking range Smeg offer a sink with **matching glass boards** that combine practicality with good looks as on the reverse they have a highly durable stainless steel finish for a practical working surface. No detail is too much with the neat **stainless steel cover** for the strainer waste ensuring that a fluid line is maintained even in the bottom of the sink.

### Practical accessories for versatile sinks

To make the best possible use of the available surface area, Smeg produces stainless steel **drainer baskets** and hard-wood **chopping boards** that fit perfectly over the sink. Some models also have a **colander** that slides into place when in use.

### Coordinating taps

Smeg offers various types of mixer taps, different designs, functions and finishes. You can choose from models with a **brushed steel** or **chrome-plated** finish, with **extractable spout** or built in water filter.

LQR116-2

"QUADRA" DOUBLE BOWL, SINGLE DRAINER ULTRA LOW PROFILE INSET SINK



Bowl depth: 218mm  
Bowl widths: 2 x 350mm  
Drain: 3.5"  
Pop up waste

LQR862-2

"QUADRA" DOUBLE BOWL ULTRA LOW PROFILE INSET SINK



Bowl depth: 218mm  
Bowl widths: 2 x 350mm  
Drain: 3.5"  
Pop up waste

LQR861-2

"QUADRA" SINGLE BOWL, SINGLE DRAINER ULTRA LOW PROFILE INSET SINK



Bowl depth : 218mm  
Bowl widths: 1 x 350mm  
Drain: 3.5"  
Pop up waste

VQ72-2

"QUADRA" SINGLE BOWL ULTRA LOW PROFILE INSET SINK



Bowl depth : 210mm  
Bowl width: 1 x 720mm  
Drain: 3.5"

ALSO AVAILABLE IN THE FOLLOWING VERSIONS:  
Bowl width: 1 x 500mm **VQ50-2**  
Bowl width: 1 x 200mm **VQ20**

LQR100-2

"QUADRA" 1.5 BOWL SINGLE DRAINER ULTRA LOW PROFILE INSET SINK



Bowl depth: 218mm  
Bowl widths: 1 x 174mm, 1 x 350mm  
Drain: 3.5"  
Pop up waste

VR78A

"QUADRA" SINGLE BOWL INSET SINK WITH 2 DARK GRAPHITE CHOPPING BOARDS AND COLANDER BOWL



Bowl depth: 210mm  
Bowl width: 1 x 780mm  
Drain: 3.5"  
Pop up waste  
Colander bowl supplied as standard

ALSO AVAILABLE IN THE FOLLOWING VERSIONS:  
Silver glass chopping boards **VR78S**  
Black glass chopping boards **VR78N**

VQ40-2

"QUADRA" SINGLE BOWL ULTRA LOW PROFILE INSET SINK



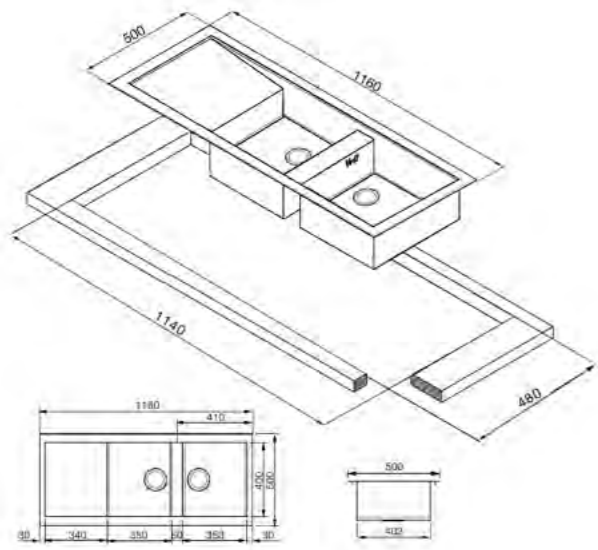
Bowl depth : 210mm  
Bowl width: 1 x 400mm  
Drain: 3.5"

QUADRA INSET MODELS:

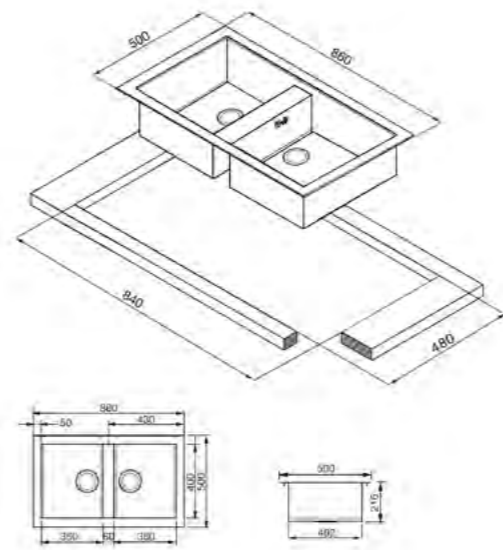
ALL SINKS ON THESE PAGES FEATURE THE QUADRA DESIGN, AND DETAILS OF ALL THE VERSIONS AVAILABLE ARE SHOWN BELOW

Model	Drainer Position	Bowls	Minimum Base Unit (cm)
LQR116-2	Reversible	2	90
LQR862-2	N/A	2	80
LQR100-2	Reversible	1.5	70
VR78S	N/A	1	90
VR78N	N/A	1	90
VR78A	N/A	1	90
LQR861-2	Reversible	1	50
VQ72-2	N/A	1	80
VQ50-2	N/A	1	60
VQ40-2	N/A	1	50
VQ20	N/A	1	30

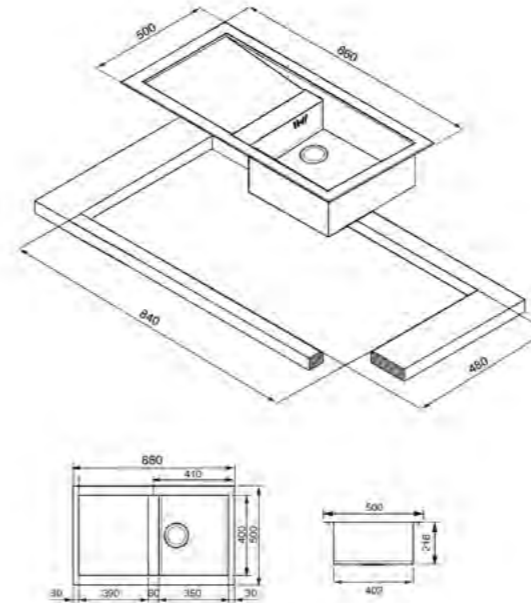
All sinks are supplied with overflows, drains, gaskets, fixing clips and dishwasher drain taps as standard accessories.



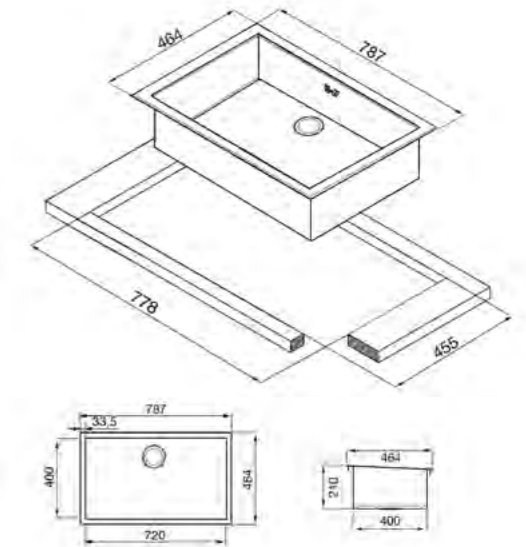
LQR116-2



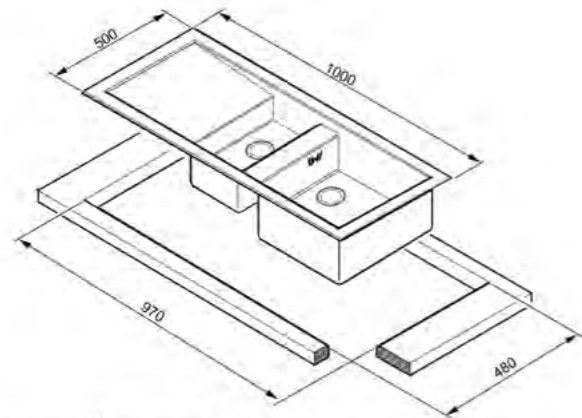
LQR862-2



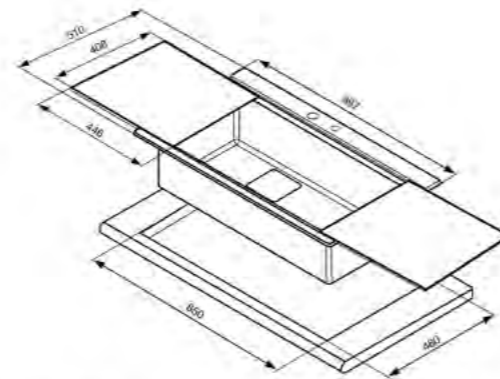
LQR861-2



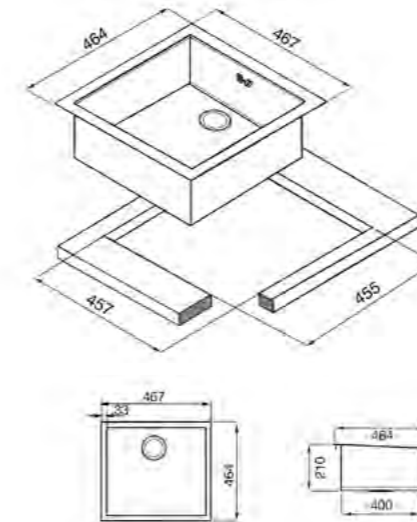
VQ72-2



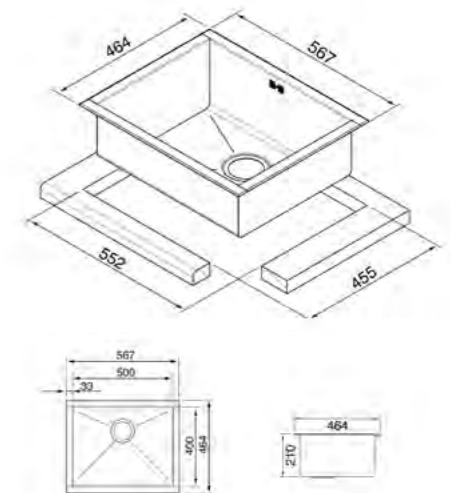
LQR100



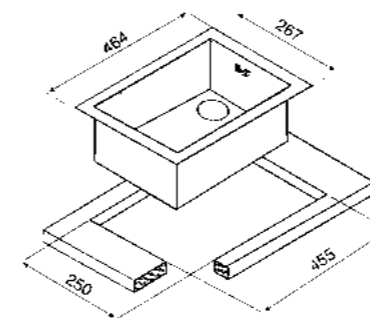
VR78N  
VR78S  
VR78A



VQ40-2



VQ50-2



VQ20

VSTQ72-2

"QUADRA" SINGLE BOWL UNDERMOUNT SINK



Bowl depth: 210mm  
Bowl width: 1 x 720mm  
Drain: 3.5"

VSTQ50-2

"QUADRA" SINGLE BOWL UNDERMOUNT SINK



Bowl depth: 210mm  
Bowl width: 1 x 500mm  
Drain: 3.5"

VSTQ40-2

"QUADRA" SINGLE BOWL UNDERMOUNT SINK



Bowl depth: 210mm  
Bowl width: 1 x 400mm  
Drain: 3.5"

VSTQ20

"QUADRA" SINGLE BOWL UNDERMOUNT SINK



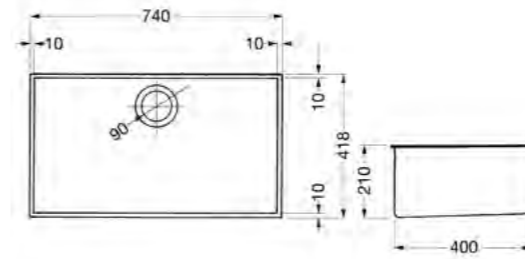
Bowl depth: 210mm  
Bowl width: 1 x 200mm  
Drain: 3.5"

QUADRA UNDERMOUNT MODELS:

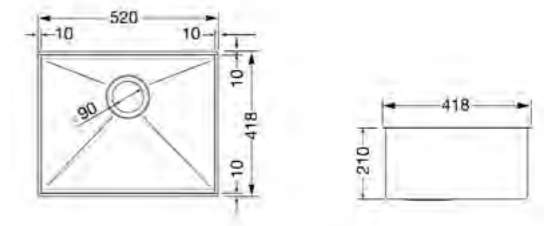
ALL SINKS ON THESE PAGES FEATURE THE QUADRA DESIGN, AND DETAILS OF ALL THE VERSIONS AVAILABLE ARE SHOWN BELOW

Model	Drainer Position	Bowls	Minimum Base Unit (cm)
VSTQ72-2	N/A	1	80
VSTQ50-2	N/A	1	60
VSTQ40-2	N/A	1	50
VSTQ20	N/A	1	30

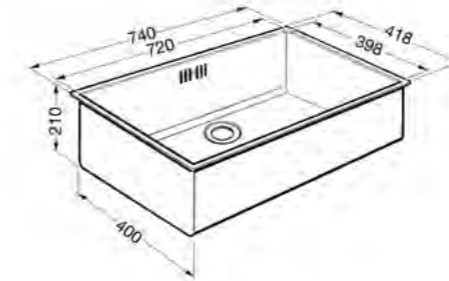
All sinks are supplied with overflows, drains, gaskets, fixing clips and dishwasher drain taps as standard accessories.



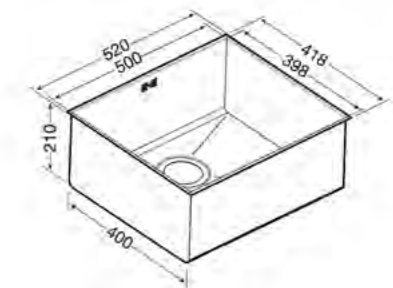
VSTQ72-2



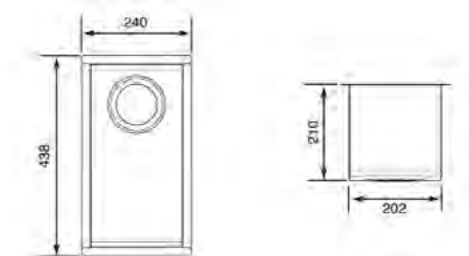
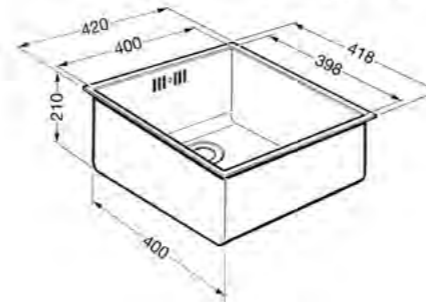
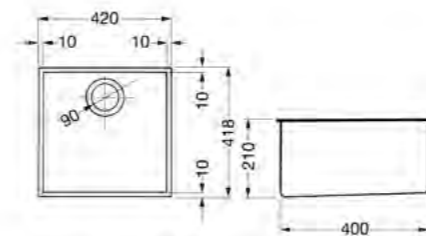
VSTQ50-2



VSTQ40-2



VSTQ20



**LD861D**

"MIRA" SINGLE BOWL, SINGLE DRAINER ULTRA LOW PROFILE INSET SINK



Bowl depth: 200mm  
Bowl widths: 1 x 340mm  
Drain: 3.5"



**LD862**

"MIRA" DOUBLE BOWL, ULTRA LOW PROFILE INSET SINK



Bowl depth: 200mm  
Bowl widths: 2 x 340mm  
Drain: 3.5"



**LD102D**

"MIRA" 1.5 BOWL, SINGLE DRAINER ULTRA LOW PROFILE INSET SINK



Bowl depth: 200mm  
Bowl widths: 1 x 340mm, 1 x 150mm  
Drain: 3.5"



**LD116D**

"MIRA" DOUBLE BOWL, SINGLE DRAINER ULTRA LOW PROFILE INSET SINK



Bowl depth: 200mm  
Bowl widths: 2 x 340mm  
Drain: 3.5"

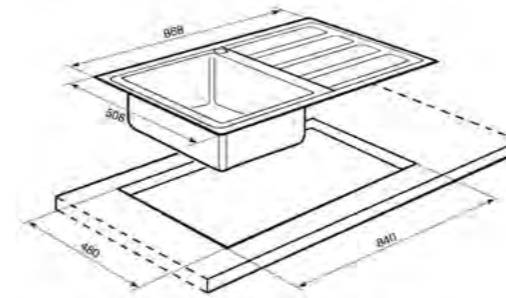
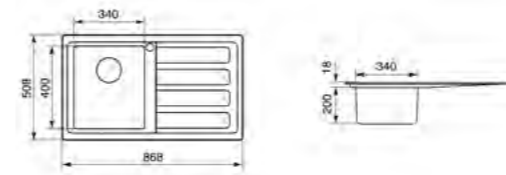


**MIRA INSET MODELS:**

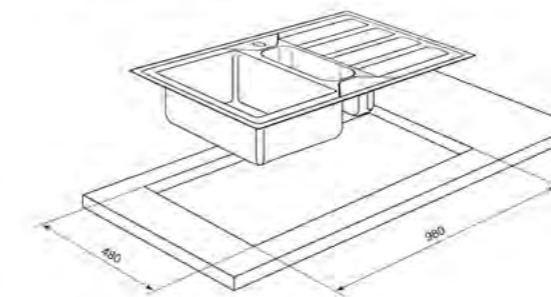
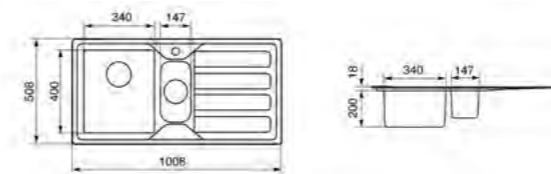
ALL SINKS ON THESE PAGES FEATURE THE MIRA DESIGN, AND DETAILS OF ALL THE VERSIONS AVAILABLE ARE SHOWN BELOW

Model	Drainer Position	Bowls	Minimum Base Unit (cm)
LD861D	RH	1	50
LD861S	LH	1	50
LD862	N/A	2	80
LD102D	RH	1.5	60
LD102S	LH	1.5	60
LD116D	RH	2	90
LD116S	LH	2	90

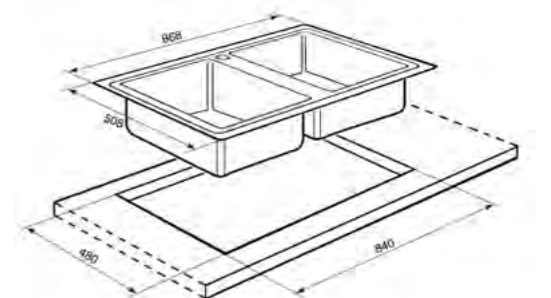
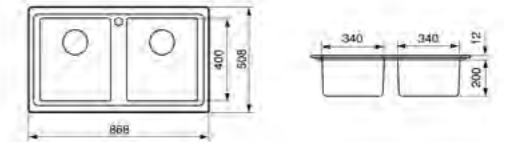
All sinks are supplied with overflows, drains, gaskets, fixing clips and dishwasher drain taps as standard accessories.



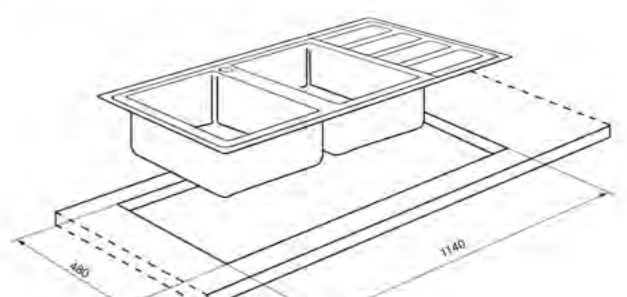
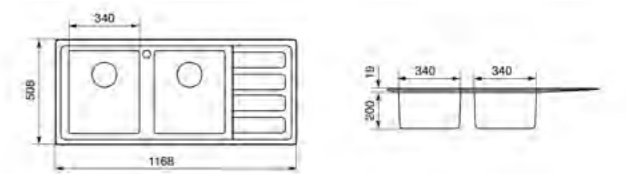
**LD861D  
LD861S**



**LD102D  
LD102S**



**LD862**



**LD116D  
LD116S**

VSTR3434

"MIRA" DOUBLE BOWL UNDERMOUNT SINK



Bowl depth: 200mm  
Bowl widths: 2 x 340mm  
Drain: 3.5"

VSTR3416

"MIRA" 1.5 BOWL UNDERMOUNT SINK



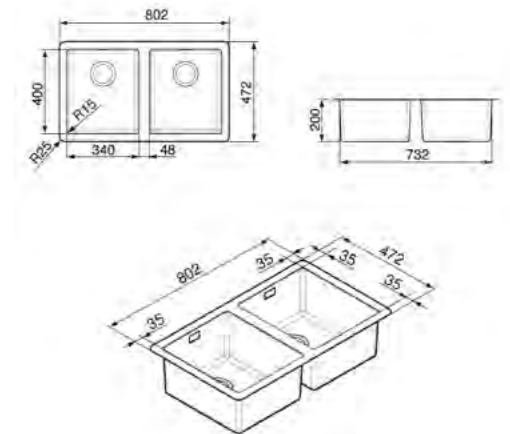
Bowl depths: 200mm and 150mm  
Bowl widths: 1 x 340mm, 1 x 150mm  
Drain: 3.5"

"MIRA" UNDERMOUNT

ALL SINKS ON THESE PAGES FEATURE THE "MIRA" UNDERMOUNT DESIGN, AND DETAILS OF ALL THE VERSIONS AVAILABLE ARE SHOWN BELOW.

Model	Drainer Position	Bowls	Minimum Base Unit (cm)
VSTR3434	N/A	2	80
VSTR3416	N/A	1.5	60
VSTR50	N/A	1	60
VSTR34	N/A	1	45
VSTR16	N/A	0.5	30

All sinks are supplied with overflows, drains, gaskets, fixing clips and dishwasher drain taps as standard accessories.



VSTR3434

VSTR50

"MIRA" SINGLE BOWL UNDERMOUNT SINK



Bowl depth: 200mm  
Bowl width: 500mm  
Drain: 3.5"

VSTR34

"MIRA" SINGLE BOWL UNDERMOUNT SINK



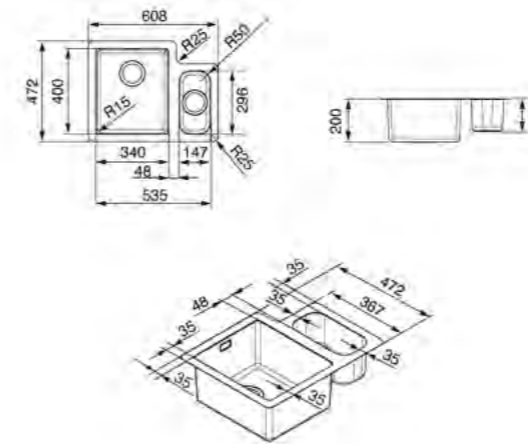
Bowl depth: 200mm  
Bowl width: 340mm  
Drain: 3.5"

VSTR16

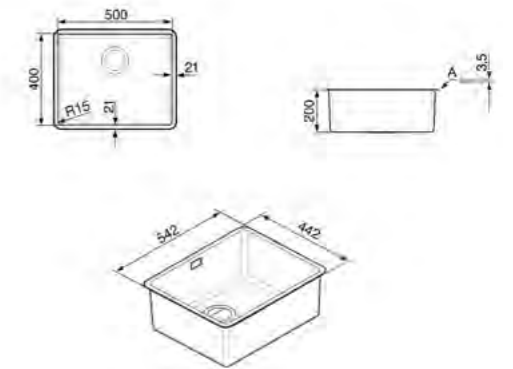
"MIRA" HALF BOWL UNDERMOUNT SINK



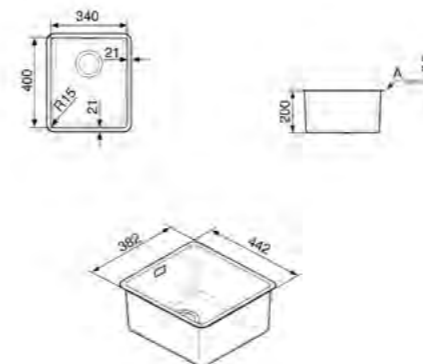
Bowl depth: 150mm  
Bowl width: 150mm  
Drain: 3.5"



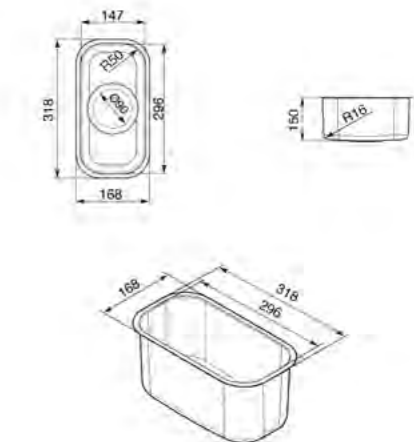
VSTR3416



VSTR50



VSTR34



VSTR16

LI92N

"IRIS" DOUBLE BOWL INSET SINK WITH BLACK GLASS CHOPPING BOARDS



Bowl depth: 210mm  
 Bowl width: 2 x 400mm  
 Drain: 3.5\*  
 Reversible glass/stainless steel chopping boards

ALSO AVAILABLE IN THE FOLLOWING VERSION:  
 Silver Glass chopping boards LI92SG

LI915SGD

"IRIS" 1.5 BOWL SINGLE DRAINER INSET SINK WITH SILVER GLASS CHOPPING BOARDS



Bowl depth: 1 x 210mm, 1 x 150mm  
 Bowl width: 1 x 400mm, 1 x 147mm  
 Drain: 3.5\*  
 Reversible glass/stainless steel chopping boards

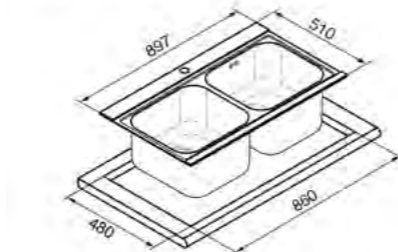
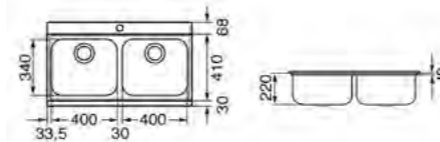
ALSO AVAILABLE IN THE FOLLOWING VERSIONS:  
 Silver Glass chopping boards LH drainer LI915SGS  
 Black Glass chopping boards RH drainer LI915ND  
 Black Glass chopping boards LH drainer LI915NS

"IRIS" INSET

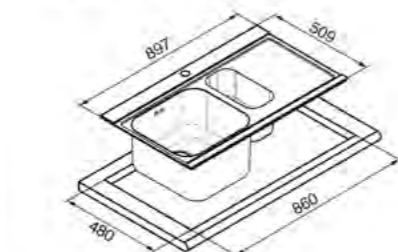
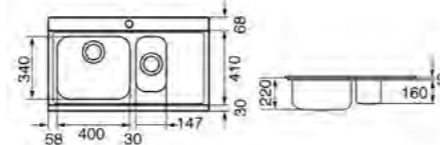
ALL SINKS ON THESE PAGES FEATURE THE "IRIS" INSET DESIGN, AND DETAILS OF ALL THE VERSIONS AVAILABLE ARE SHOWN BELOW.

Model	Drainer Position	Bowls	Minimum Base Unit (cm)
LI92N	N/A	2	90
LI92SG	N/A	2	90
LI915ND	RH	1.5	70
LI915NS	LH	1.5	70
LI915SGD	RH	1.5	70
LI915SGS	LH	1.5	70

All sinks are supplied with overflows, drains, gaskets, fixing clips and dishwasher drain taps as standard accessories.



LI92SG



LI915SGD



LI92SG

IRIS (INSET)

SINKS

LV95-3

"STILLA" DOUBLE BOWL ULTRA LOW PROFILE INSET SINK



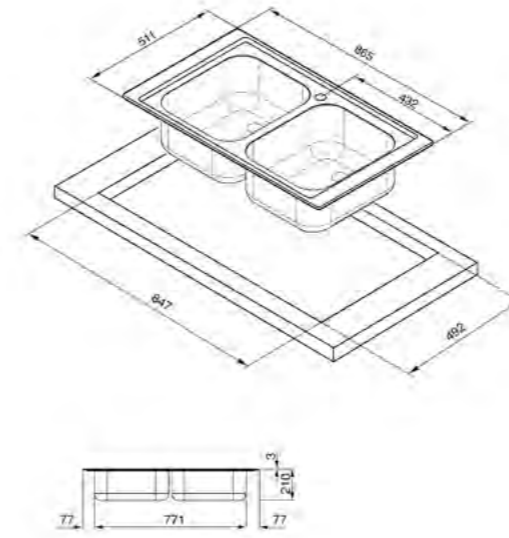
Bowl depth: 210mm  
Bowl widths: 2 x 340mm  
Drain: 3.5"

LV100S-3

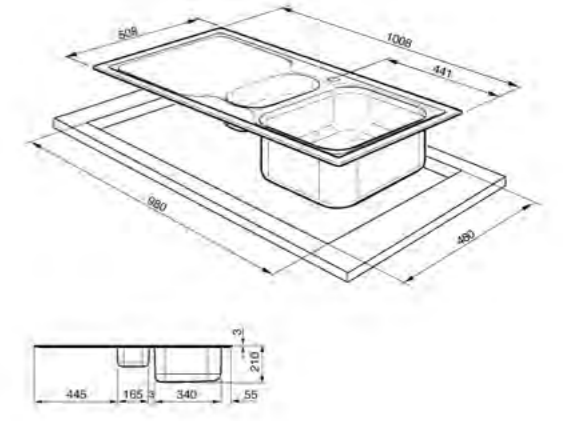
"STILLA" 1.5 BOWL, SINGLE DRAINER ULTRA LOW PROFILE INSET SINK



Bowl depth: 211mm  
Bowl widths: 1 x 340mm, 1 x 165mm  
Drain: 3.5"



LV95-3



LV100S-3  
LV100D-3

LV951S-3

"STILLA" SINGLE BOWL, SINGLE DRAINER ULTRA LOW PROFILE INSET SINK



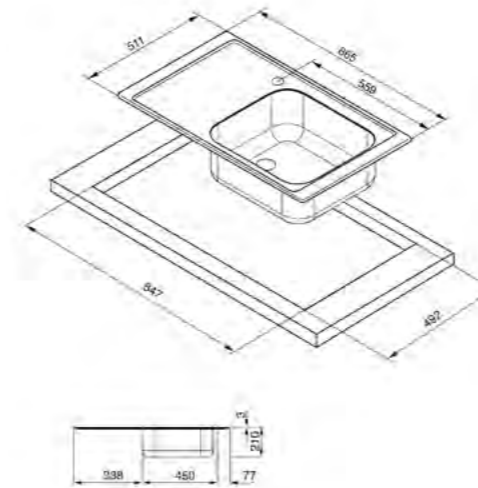
Bowl depth: 210mm  
Bowl width: 1 x 450mm  
Drain: 3.5"

STILLA INSET MODELS:

ALL SINKS ON THESE PAGES FEATURE THE STILLA DESIGN, AND DETAILS OF ALL THE VERSIONS AVAILABLE ARE SHOWN BELOW

Model	Drainer Position	Bowls	Minimum Base Unit (cm)
LV95-3	N/A	2	80
LV100D-3	RH	1.5	60
LV100S-3	LH	1.5	60
LV951D-3	RH	1	60
LV951S-3	LH	1	60

All sinks are supplied with overflows, drains, gaskets, fixing clips and dishwasher drain taps as standard accessories.



LV951D-3  
LV951S-3

DBD3C

"ALBA" 2.5 BOWL CORNER INSET SINK



Bowl depth: 210mm  
Bowl widths: 2 x 340mm, 1 x 165mm  
Drain: 3.5"

ALSO AVAILABLE IN THE FOLLOWING VERSIONS:  
With fabric finish DBD3CFR

LG116D

"ALBA" DOUBLE BOWL, SINGLE DRAINER INSET SINK



Bowl depth: 210mm  
Bowl widths: 1 x 450mm, 1 x 300mm  
Drain: 3.5"

ALSO AVAILABLE IN THE FOLLOWING VERSIONS:  
With fabric finish LGM116D/LGM116S

SRO3416

"ALBA" 1.5 BOWL INSET SINK



Bowl depth: 210mm  
Bowl widths: 1 x 340mm, 1 x 165mm  
Drain: 3.5"  
Pop-up waste

VS34/P3

"ALBA" SINGLE BOWL INSET SINK



Bowl depth: 210mm  
Bowl width: 1 x 340mm  
Drain: 3.5"

NB: Previously marketed as FM34R-1

LL102D

"ALBA" 1.5 BOWL, SINGLE DRAINER INSET SINK



Bowl depth: 210mm  
Bowl widths: 1 x 340mm, 1 x 165mm  
Drain: 3.5"

ALSO AVAILABLE IN THE FOLLOWING VERSIONS:  
With fabric finish LM102D/LM102S

LG861D

"ALBA" SINGLE BOWL, SINGLE DRAINER INSET SINK



Bowl depth: 210mm  
Bowl width: 1 x 450mm  
Drain: 3.5"

10I3P + 11I

"ALBA" ROUND BOWL INSET SINK AND INSET DRAINER



Bowl depth: 175mm  
Bowl diameter: 430mm  
Internal diameter: 375mm  
Drain: 3.5"

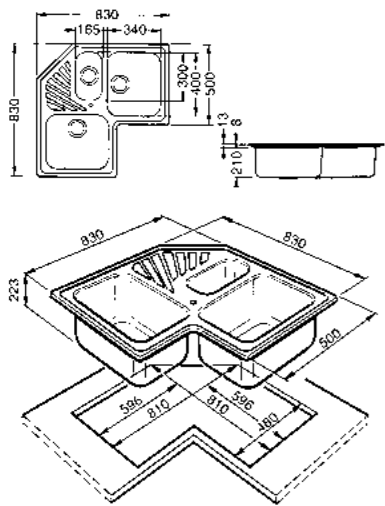
NB: Previously marketed as FM37C & 11I

ALBA INSET MODELS:

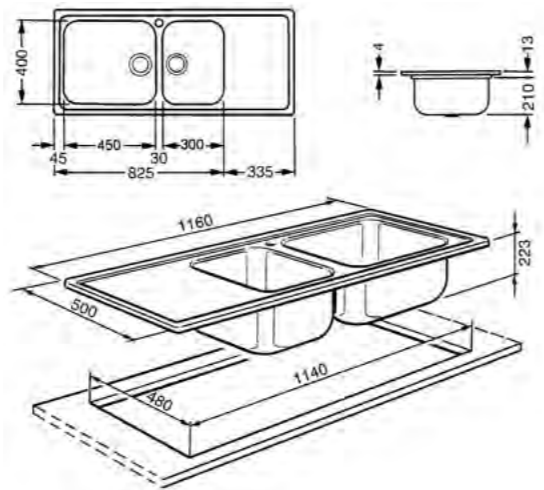
ALL SINKS ON THESE PAGES FEATURE THE ALBA DESIGN, AND DETAILS OF ALL THE VERSIONS AVAILABLE ARE SHOWN BELOW

Model	Drainer Position	Bowls	Minimum Base Unit (cm)
DBD3C	N/A	2.5	90
DBD3CFR	N/A	2.5	90
LG116D	RH	2	90
LG116S	LH	2	90
LGM116D	RH	2	90
LGM116S	LH	2	90
LL102D	RH	1.5	60
LL102S	LH	1.5	60
LM102D	RH	1.5	60
LM102S	LH	1.5	60
SRO3416	N/A	1.5	60
LG861D	RH	1	60
LG861S	LH	1	60
10I3P	N/A	1	50
11I	N/A	N/A	50
VS34/P3	N/A	1	40

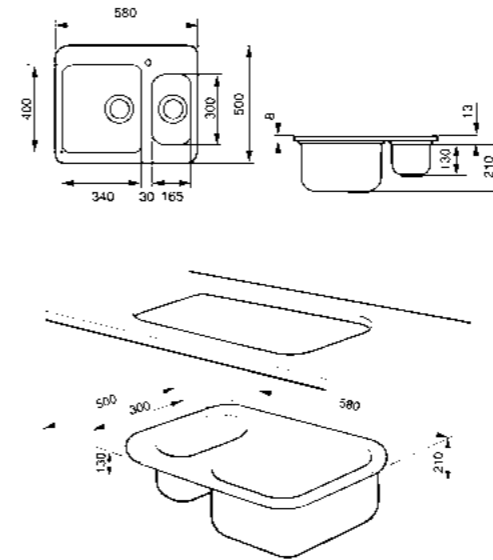
All sinks are supplied with overflows, drains, gaskets, fixing clips and dishwasher drain taps as standard accessories.



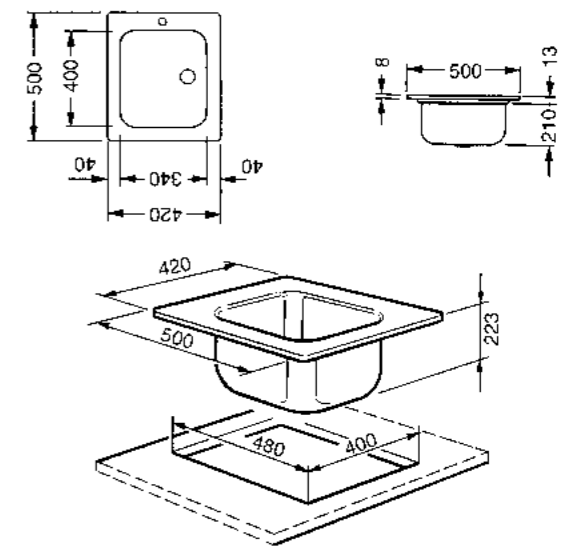
DBD3C  
DBD3CFR



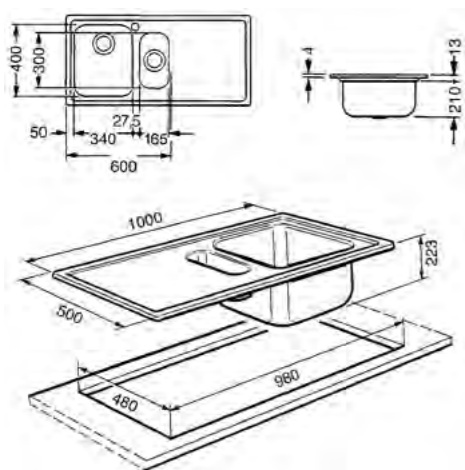
LG116D  
LD116S  
LGM116D  
LGM116S



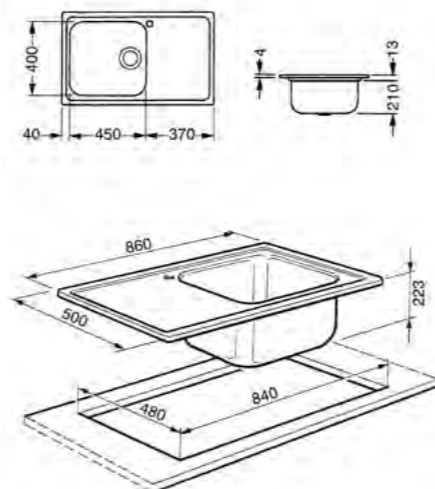
SRO3416



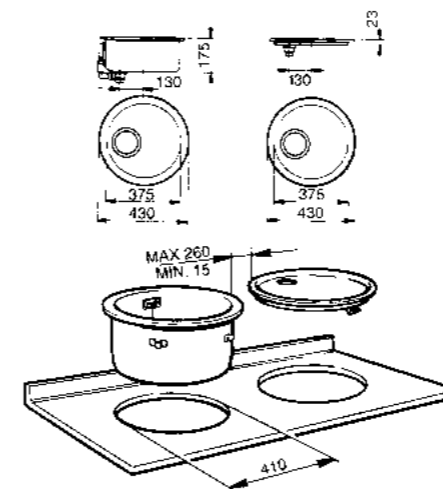
VS34/P3



LL102D  
LL102S  
LM102D  
LM102S



LG861D  
LQ861S



1013P + 111

UM4530

"ALBA" DOUBLE BOWL UNDERMOUNT SINK



Bowl depth: 180mm  
Bowl widths: 1 x 450mm, 1 x 300mm  
Drain: 3.5"

ALSO AVAILABLE IN THE FOLLOWING VERSION:  
Bowl widths: 2 x 450mm **UM4545**

UM4534

"ALBA" DOUBLE BOWL UNDERMOUNTED SINK COMBINATION



Bowl depths: 2 x 180mm  
Bowl dimensions: LH bowl 400mm x 450mm  
RH bowl 400mm x 340mm  
Drain: 3.5"

AVAILABLE IN THE FOLLOWING VERSION:  
Bowl depths: 2 x 180mm **UM4540**  
Bowl dimensions: LH bowl 400mm x 450mm  
RH bowl 400mm x 400mm

UM3416-1

"ALBA" 1.5 BOWL UNDERMOUNT SINK



Bowl depth: 180mm  
Bowl widths: 1 x 340mm, 1 x 165mm  
Drain: 3.5"

UM30 + UM45

"ALBA" SINGLE BOWL UNDERMOUNT SINKS



Bowl depths: 180mm  
Bowl widths:  
UM45: 1 x 450mm  
UM30: 1 x 300mm  
Drain: 3.5"

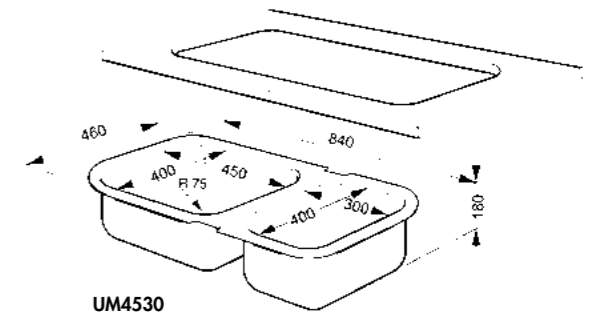
ALSO AVAILABLE IN THE FOLLOWING VERSIONS:  
Bowl width: 1 x 400mm **UM40**  
Bowl width: 1 x 165mm **UM16**

ALBA UNDERMOUNT MODELS:

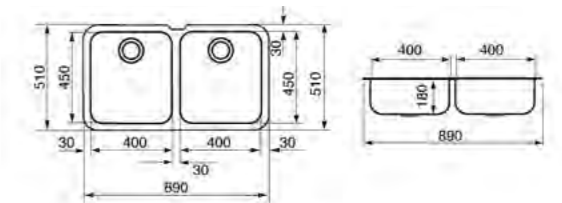
ALL SINKS ON THESE PAGES FEATURE THE ALBA DESIGN, AND DETAILS OF ALL THE VERSIONS AVAILABLE ARE SHOWN BELOW

Model	Drainer Position	Bowls	Minimum Base Unit (cm)
UM4545	N/A	2	90
UM4530	N/A	2	90
UM4540	N/A	2	90
UM4534	N/A	2	90
UM3416-1	N/A	1,5	60
UM45	N/A	1	50
UM40	N/A	1	50
UM30	N/A	1	40
UM16	N/A	0,5	30

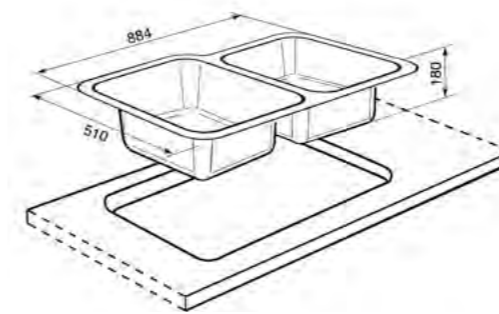
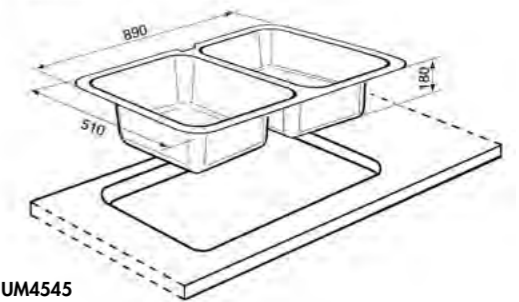
All sinks are supplied with overflows, drains, gaskets, fixing clips and dishwasher drain taps as standard accessories.



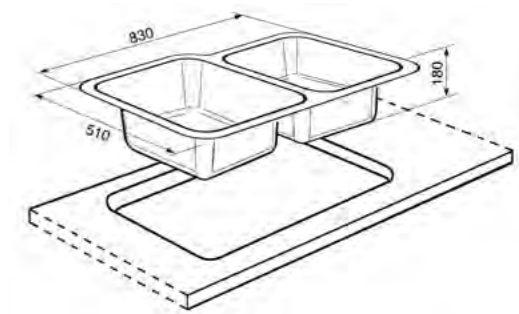
UM4530



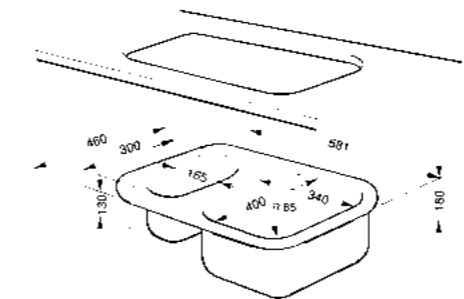
UM4545



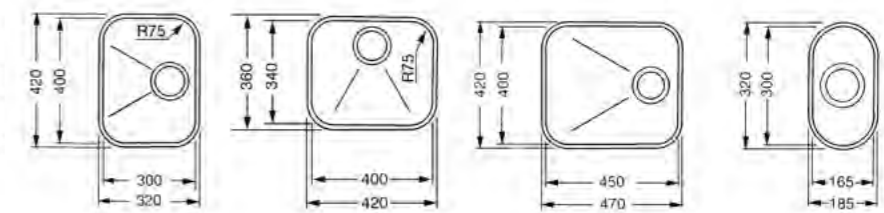
UM4534



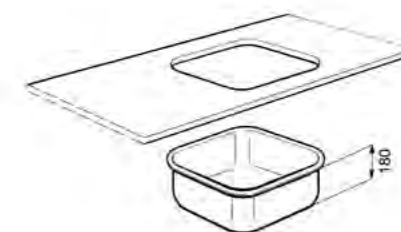
UM4540



UM3416-1



UM30  
UM45  
UM40  
UM16



LE116S

"RIGAE" DOUBLE BOWL, SINGLE DRAINER INSET SINK



Bowl depth: 180mm  
Bowl widths: 2 x 340mm  
Drain: 3.5"

LE862

"RIGAE" DOUBLE BOWL INSET SINK



Bowl depth: 180mm  
Bowl widths: 2 x 340mm  
Drain: 3.5"

LE102D

"RIGAE" 1.5 BOWL, SINGLE DRAINER INSET SINK



Bowl depth: 180mm  
Bowl widths: 1 x 340mm, 1 x 165mm  
Drain: 3.5"

LE861S

"RIGAE" SINGLE BOWL, SINGLE DRAINER INSET SINK



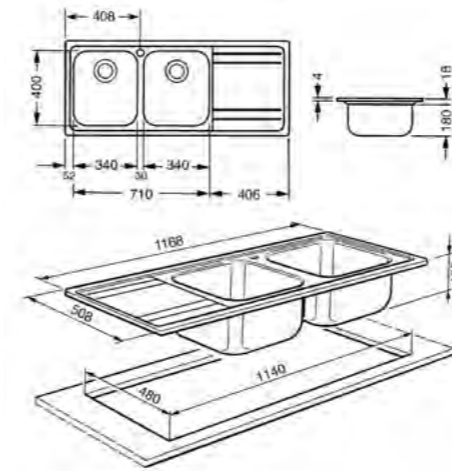
Bowl depth: 180mm  
Bowl width: 1 x 340mm  
Drain: 3.5"

RIGAE INSET MODELS:

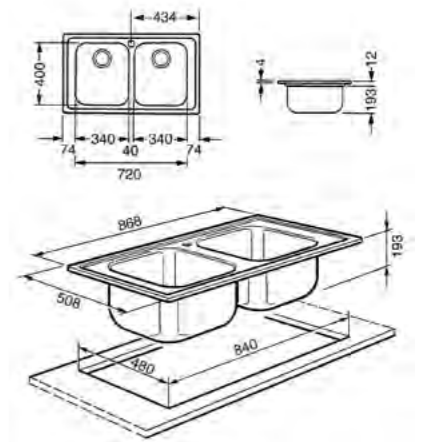
ALL SINKS ON THESE PAGES FEATURE THE RIGAE DESIGN, AND DETAILS OF ALL THE VERSIONS AVAILABLE ARE SHOWN BELOW

Model	Drainer Position	Bowls	Minimum Base Unit (cm)
LE116D	RH	2	90
LE116S	LH	2	90
LE862	N/A	2	90
LE102D	RH	1.5	60
LE102S	LH	1.5	60
LE861D	RH	1	45
LE861S	LH	1	45

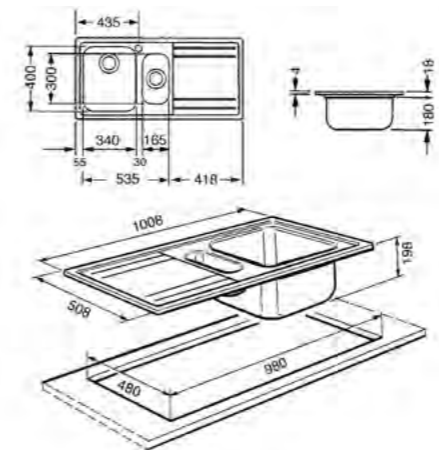
All sinks are supplied with overflows, drains, gaskets, fixing clips and dishwasher drain taps as standard accessories.



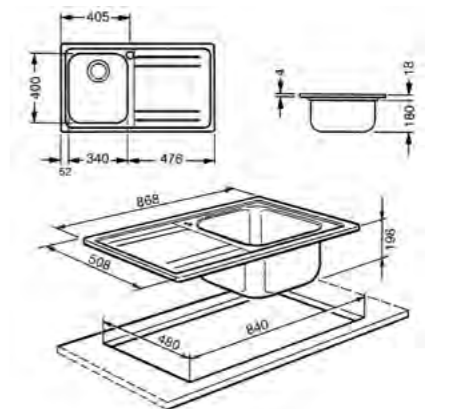
LE116S  
LE116D



LE862



LE102D  
LE102S



LE861S  
LE861D

## SINK ACCESSORIES

Sink style	QUADRA	MIRA	IRIS	STILLA	ALBA	RIGAE
hardwood chopping board square corners	TLQ40					
white chopping board square corners	TTQ40					
hardwood chopping board curved corners 450mm bowl width				CB45-1	CB45-1	
hardwood chopping board curved corners 340mm bowl width				CB34	CB34	CB34
hardwood chopping board curved corners 300mm bowl width					CB30	
hardwood chopping board round bowl					CB37C	
hardwood chopping board with white insert & st/steel colander				TLC34	TLC34	TLC34
silver glass chopping board 24cm width		TVSG		TVSG	TVSG	TVSG
black glass chopping board 24cm width		TVN		TVN	TVN	TVN
white glass chopping board 24cm width		TVB		TVB	TVB	TVB
st/steel drainer basket 450mm bowl width				DB45	DB45	
st/steel drainer basket 340mm bowl width		DB34		DB34	DB34	DB34
st/steel drainer basket 300mm bowl width					DB30	
st/steel drainer basket round bowl					DB37C	
rectangular st/steel colander 400mm width	VSH40Q					
rectangular st/steel colander 200mm width	VSH20Q					
large st/steel colander 340mm bowl width		COL34				
st/steel colander for oval half bowl		COL15	COL15	HBCOL	HBCOL	HBCOL

SQUARE WHITE CHOPPING BOARD



HARD-WOOD CHOPPING BOARD

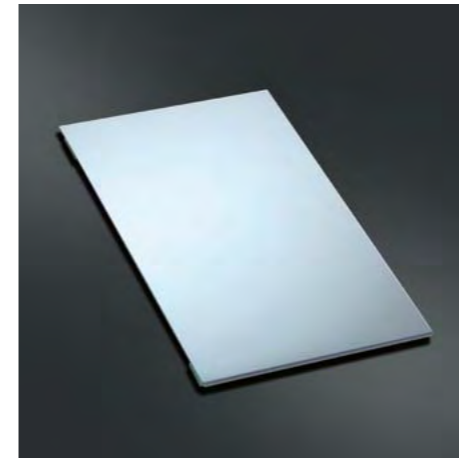


HARDWOOD CHOPPING BOARD WITH WHITE INSERT AND COLANDER



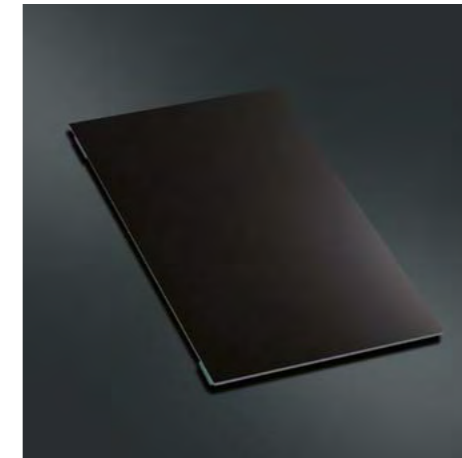
## TVSG

SILVER GLASS CHOPPING BOARD



## TVN

BLACK GLASS CHOPPING BOARD



## TVB

WHITE GLASS CHOPPING BOARD



24cm width reversible stainless steel and glass chopping boards suitable for most Mira, Alba and Rigae sinks

ST/STEEL DRAINER BASKET



LARGE COLANDER - MIRA



ROUND DRAINER BASKET AND HARDWOOD CHOPPING BOARD



NB: These boards are not suitable for use with undermounted sinks.

ST/STEEL RECTANGULAR COLANDER



ST/STEEL RECTANGULAR COLANDER



ST/STEEL COLANDER - STILLA, ALBA & RIGAE



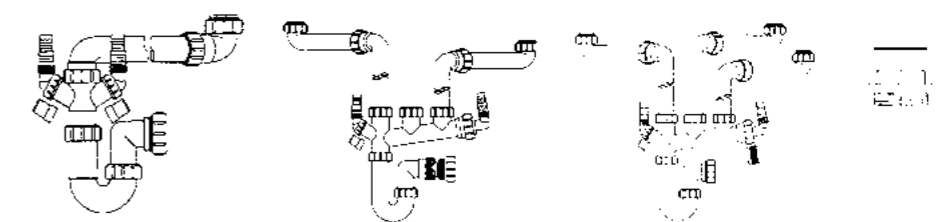
ST/STEEL COLANDER - MIRA & IRIS



## SPACE SAVER WASTE KITS

Space saver waste kits are available as an alternative to the kits supplied with the Smeg range of sinks. They are specially designed to take up as little room as possible beneath the sink bowl, with all the waste pipes being positioned at the rear of the unit, leaving maximum room for storage.

- SSK1 Single bowl space saver waste kit, includes multi-fit connector
- SSK2 Double/1.5 bowl space saver waste kit, includes 2 multi-fit connectors
- SSK3 Corner sink/2.5 bowl space saver waste kit, includes 3 multi-fit connectors
- T12A-F Multi-fit connector







## LINEA OVENS

Model No	SCP115	SCP112-8	SCP109-8	SC107N-8
Oven width	60cm	60cm	60cm	60cm
NET oven capacity	68L	68L	60L	60L
No of functions	10	12	8	7
<b>Colour Options</b>				
Stainless Steel	SCP115X	SCP112-8	SCP109-8	
Black		SCP112N-8		SC107N-8
Dark graphite	SCP115A-1			
Silver glass	SCP115	SCP112SG8	SCP109SG8	SC107SG-8
No. of Functions	10	12	8	7
Cleaning system	Pyro	Pyro	Pyro	
<b>Oven Accessories:</b>				
Extra deep tray	•	•		
Roasting/Grill pan	•	•	•	•
Grill mesh	•	•		•
Chrome shelf	•	•	2	•
Rotisserie kit	•	•	•	
Roof liner	•	•	•	•
Telescopic guides	GT1T	GT1P		
Lights	2 x halogen	2 x halogen	1 x halogen	1 x std
<b>Optional Extras</b>				
1 level telescopic shelf (Total extraction)	Standard	GT1T		
1 level telescopic shelf (Partial extraction)	GT1P	Standard		
Pizza stone	PRTX	PRTX	PRTX	PRTX
Folding pizza shovel	PALPZ	PALPZ	PALPZ	PALPZ
<b>Technical Data</b>				
Nominal power	3.0kW	3.0kW	3.0kW	3.0kW
Conventional kW/h (main oven)	1.05kW/h	1.05kW/h	0.87kW/h	
Forced air convection kW/h (main)	0.99kW/h	0.99kW/h	0.71kW/h	0.71kW/h

## 45CM REDUCED HEIGHT COMPACT OVENS & DRAWERS

Model No.	SC45MC2	SC45V2	SC45M2	S45MCX2	S45VX2	SC45MX2
Design	LINEA	LINEA	LINEA	CLASSIC	CLASSIC	CLASSIC
Oven width	60cm	60cm	60cm	60cm	60cm	60cm
NET oven capacity	37L	35L	37L	37L	35L	37L
Reduced Height	45cm H	45cm H	45cm H	45cm H	45cm H	45cm H
<b>Colour Options</b>						
Stainless Steel	SC45MC2	SC45V2	SC45M2	S45MCX2	S45VX2	SC45MX2
Black	SC45MCNE2	SC45VNE2	SC45MNE2			
Silver glass	SC45MCSG2					
No. of Functions	10	6	6	10	6	6
<b>Standard Accessories Main oven</b>						
St/steel grill pan		•			•	
Baking tray		•			•	
Wire Shelf	•		•	•		•
Glass tray	•		•	•		•
Grill mesh		•			•	
Lights	1 x std	1 x std	1 x std	1 x std	1 x std	1 x std
<b>Optional Extras</b>						
St/steel shelf divider strip	PR3845X	PR3845X	PR3845X	PR3845X	PR3845X	PR3845X
29cm H warming drawer in st/steel	CT29-2	CT29-2	CT29-2	CT29X	CT29X	CT29X
20.5cm H warming drawer in st/steel				CTSC21X	CTSC21X	CTSC21X
15cm H warming drawer in st/steel	CT15-2	CT15-2	CT15-2	CT15X	CT15X	CT15X
15cm H warming drawer in black	CT15NE-2	CT15NE-2	CT15NE-2			
15cm H warming drawer in silver glass	CT15SG2	CT15SG2	CT15SG2			
<b>Technical Data</b>						
Nominal power	3.40kW	1.80kW	3.30kW	3.40kW	1.80kW	3.30kW
Microwave output power	1.00kW		1.00kW	1.00kW		1.00kW
Grill power	1.50k/h		0.50kW	1.50kW		1.50kW

## CLASSIC OVENS

Model No	DOSC36X	DUSC36X	SCP399X-8	SC399X-8	SFP378X	SC372X-8	SF341GVX
Oven width	60cm	60cm	60cm	60cm	60cm	60cm	60cm
Oven capacity	68L & 33L	60L & 33L	68L	68L	72L	60L	60L
No. of Functions	8 & 4	7 & 4	10	11	8	9	8
Cleaning system	Stay clean liners	Stay clean liners	Pyro	Vapor	Pyro	Vapor	
Oven type	double electric	double electric	single electric	single electric	single electric	single electric	single gas
<b>Oven Accessories included</b>							
Roasting/Grill pan 40mm deep	2	2	•	•	•	•	•
Enamelled tray 20mm deep			•	•	•	•	•
Grill mesh	2	2	•	•	•	•	•
Chrome shelf	2	2	•	•	•	•	•
Roof liner	•	•	•	•		•	
Rotisserie kit			•				•
Telescopic guides			•	•	•		•
Lights	1 std each oven	1 std each oven	2 x halogen	2 x halogen	1 halogen	1 std	1 std
<b>Optional Extras</b>							
Folding pizza shovel	PALPZ	PALPZ	PALPZ	PALPZ	PALPZ	PALPZ	PALPZ
Pizza stone	PRTX	PRTX	PRTX	PRTX	PRTX	PRTX	PRTX
1 level telescopic shelf (Total extraction)	GT1T	GT1T	GT1T	GT1T	GT1T	GT1T	GT1T
1 level telescopic shelf (Partial extraction)	GT1P	GT1P	Standard	Standard	Standard	GT1P	Standard
Stay clean liners	Standard	Standard	N/A	PC68	N/A	PC60	PC60
<b>Technical Data</b>							
Nominal power	5.5kW	5.5kW	3.0kW	3.0kW	3.0kW	3.0kW	1.9kW
Conventional kW/h (main oven)			1.05kW/h	1.05kW/h	0.79kW	0.91kW/h	N/A
Forced air convection kW/h (main)	0.79kW/h	0.79kW/h	0.99kW/h	0.99kW/h	0.95kW	0.79kW/h	N/A
Conventional kW/h (auxiliary oven oven)	0.59kW/h	0.59kW/h					

## WIDE CLASSIC OVENS

Model No	S20XMF-8	SE20XMF8
Oven width	90cm	90cm
NET oven capacity	70L	70L
<b>Colour Options</b>		
No. of Functions	8	8
Cleaning system		Stay clean liners
<b>Oven Accessories</b>		
Roasting/Grill pan 20mm deep	2	2
Chrome shelf	2	2
Roof liner	•	•
Stay clean liners		•
Lights	2 std	2 std
<b>Optional Extras</b>		
Folding pizza shovel	PALPZ	PALPZ
Pizza stone	PRTX	PRTX
2 level telescopic shelf set	GT90X	GT90X
Stay clean liners	3802-1	standard
Lights	2 std	2 std
<b>Technical data</b>		
Nominal power	3.3kW	3.3kW
Conventional kW/h	1.14kW/h	1.14kW/h
Forced air convection kW/h	0.99kW/h	0.99kW/h

## HIGH POWERED ELECTRIC HOBS

When selecting an appliance with a nominal power in excess of 7.2kW, a qualified electrician should be consulted to check the suitability of the circuit within the property where the connection is intended to be made. Recent wiring developments can allow larger high powered appliances to be installed safely in homes by experts. All such appliances must be installed by a qualified electrician.

## PIANO DESIGN OVEN

Model No	F67-7
Oven width	60cm
NET oven capacity	53L
No. of Functions	10
<b>Oven Accessories:</b>	
Roasting/Grill pan	Glass
Grill mesh	•
Chrome shelf	•
Grill pan handle	•
<b>Technical Data</b>	
Nominal power	3.0kW
Conventional kW/h (main oven)	0.79kW/h
Forced air convection kW/h (main)	1.2kW/h

OPERA COOKERS

	A5	A4	A3	A2P	A2	A1	A1P
<b>Colour Option (Gas Hob)</b>							
Stainless Steel	A5-8	A4-8	A3-7		A2-8	A1-7	
Stainless Steel (pyrolytic cleaning)				A2PY-8			
Black		A4BL-8			A2BL-8	A1BL-7	
Cream						A1P-9	
<b>Colour Option (Induction Hob)</b>							
Stainless Steel (pyrolytic cleaning)				A2PYID-8			A1PYID-7
<b>Technical data</b>							
Nominal power (Gas models)	7.7 kW	7.5 kW	6.8 kW	5.3kW	5.3kW	3.0kW	
Nominal power (Induction model)				14.7kW			12.6kW
Conventional kW/h (main oven)	1.13 kW/h	0.86 kW/h	1.13 kW/h	0.82kW/h	0.86kW/h	1.13kW/h	1.13kW/h
Conventional kW/h (auxiliary oven)	0.85 kW/h	0.91 kW/h	0.70 kW/h	0.59kW/h	0.59kW/h		
Forced air convection kW/h (main)	0.99 kW/h	0.75 kW/h	0.99 kW/h	0.75kW/h	0.75kW/h	0.99kW/h	0.99kW/h
Forced air convection kW/h (auxiliary)	0.79 kW/h	0.79 kW/h					
<b>Standard Accessories Main oven</b>							
Roasting/Grill pan	•	•	•	•	•	•	•
Grill Mesh	•	•		•	•	•	•
Chrome Shelf	2	•	2	•	•	2	2
Non-Stick tray	•		•			•	•
Rotisserie kit	•	•	•			•	•
Roof Liner		•		•	•		
Enamelled tray		•			•		
Wok Support			•			•	
Stay clean liners	•	•	•		•	•	
<b>Standard Accessories Auxiliary oven</b>							
Roasting/Grill pan	•	•	•	•	•		
Grill Pan Handle				•	•		
Grill Mesh	•	•	•	•	•		
Chrome Shelf	•	•	•	•	•		
Rotisserie kit				•	•		
Pizza Stone	•	•					
Pizza Shovel	•	•					
Roof Liner	•	•		•	•		
Enamelled tray							
Stay clean liners	•	•					
<b>Optional Extras</b>							
Splashback (Stainless steel)	KIT1A5-5	KIT1A3-6	KIT1A3-6	KIT1CSP20	KIT1A2-6	KIT1A1-6	KIT1CSP19
Splashback (Polished St/steel - to match black models)					KIT1A2SE6	KIT1A1SE6	
Kickplate (Stainless steel)	KIT2A5-5	KIT2A3-8	KIT2A3-2	KIT2A2-8	KIT2A2-8	KIT2A1-2	KIT2A1-2
Kickplate (Gloss Black)					KIT2A2BL6	KIT2A1N-6	
Kickplate (Cream)						KIT2A1P-2	
Chimney hood (Stainless steel)	KD150X-2	KD120X-2	KD120X-2	KD100X-2	KD100X-2	KD90X-2	KD90X-2
Chimney hood (Gloss black)					KD100N-2	KD90N-2	
Chimney hood (Cream)						KSED95P-9	
Height extension kit (Stainless steel) - extra 5cm	KIT3-6	KIT3-6	KIT3A3-6	KIT3A3-6	KIT3A3-6	KIT3A3-6	KIT3-6
Height extension kit (Gloss black)						KIT3N6	
Deep kickplate (Stainless steel)	KIT4A5-5	KIT4A3	KIT4A3	KIT4A2	KIT4A2	KIT4A1	KIT4A1-2
Deep kickplate (Gloss black)		KIT4A4BL6			KIT4A2N6	KIT4A1N-6	
Telescopic shelf set (Total extraction)	GT1T	GT1T	GTA-6	GT1T	GT1T	GTA-6	GTA-6
Telescopic shelf set (Partial extraction)	GT1P	GT1P		GT1P	GT1P		
Plate rack (auxiliary oven)			PR9A3	PR7A2	PR7A2		
Wok Support (Gas Model)	WOKGHU	WOKGHU	WOKGHU	WOKGHU	WOKGHU	WOKGHU	
Teppanyaki grill plate (gas hobs)	TPKX	TPKX	TPKX	TPKX	TPKX	TPKX	
Cast iron open griddle	GO120	GO120	GO120				
Cast iron ribbed griddle	GC120	GC120	GC120				
Pizza stone	PRTX	PRTX	PRTX	PRTX	PRTX	PRTX	PRTX
Pizza shovel	PALPZ	PALPZ	PALPZ	PALPZ	PALPZ	PALPZ	PALPZ

SYMPHONY COOKERS

	SY4110	SY92IPX8	SY92PX8	SY62MX8	SY6CPX8
<b>Colour Options (Gas Hob)</b>					
Stainless Steel	SY4110-8			SY62MX8	
Stainless Steel (pyrolytic cleaning)			SY92PX8		
Black	SY4110BL8				
<b>Colour Option (Ceramic or Induction Hob)</b>					
Stainless Steel (pyrolytic cleaning)		SY92IPX8			SY6CPX8
<b>Technical data</b>					
Main oven net capacity (litres)	60	68	68	60	68
Auxiliary oven net capacity (litres)	60	27	27	27	
Grill compartment	27				
Nominal power	8.7 kW	15.8kW	5.2kW	5.4kW	10.4kW
Conventional kW/h (main oven)	0.79 kW/h	0.84kW/h	0.84kW/h	0.80kW/h	0.84kW/h
Conventional kW/h (auxiliary oven oven)	0.79 kW/h	0.59kW/h	0.59kW/h	0.59kW/h	
Forced air convection kW/h (main)	0.80 kW/h	0.88kW/h	0.88kW/h	0.69kW/h	0.88kW/h
<b>Standard Accessories Main oven</b>					
Roasting/Grill pan	•	•	•	•	•
Extra deep tray	•	•	•	•	•
Grill Mesh	•	•	•	•	•
Chrome Shelf	•	•	•	•	•
Non-Stick tray	•				
Telescopic shelf		GTIP	GTIP	GTIP	GTIP
Rotisserie kit		•	•	•	•
Roof Liner	•	•	•	•	•
Wok Support					
<b>Standard Accessories Auxiliary oven</b>					
Roasting/Grill pan	•	•	•	•	
Grill Mesh	•	•	•	•	
Chrome Shelf	•	•	•	•	
Enamelled tray	•				
Roof Liner	•			•	
<b>Cooker base &amp; height</b>					
Fixed plinth at base (cooker height 900mm)	•			•	
4 St/steel legs (cooker height 880-915mm) or optional plinth (cooker height 900mm)		•	•		•
<b>Optional Extras</b>					
Splashback (Stainless steel)	KITS110X8	KITC9X	KITC9X	KITC6X	KITC6X
Chimney hood (Stainless steel)	KSE110X	K90X/KFV90	K90X/KFV90	KFV60	KFV60
Chimney hood (Gloss black)	KSE110BL				
Teppanyaki grill plate	TBX6090		TBX6090	TBX6090	
Telescopic shelf set (Total extraction)	GT1T	GT1T	GT1T	GT1T	GT1T
Telescopic shelf set (Partial extraction)	GT1P	GT1P	GT1P	GT1P	GT1P
Plate rack (auxiliary oven)		PR7A2	PR7A2		
Wok Support	WOKGHU		WOKGHU	WOKGHU	
Stay clean liners (Main)	PC60			PC60	
Pizza stone	PRTX	PRTX	PRTX	PRTX	PRTX
Pizza shovel	PALPZ	PALPZ	PALPZ	PALPZ	PALPZ

HIGH POWERED COOKERS

When selecting an appliance with a nominal power in excess of 7.2kW, a qualified electrician should be consulted to check the suitability of the circuit within the property where the connection is intended to be made. Recent wiring developments can allow larger high powered appliances to be installed safely in homes by experts. All such appliances must be installed by a qualified electrician.

## CONCERT COOKERS

	SUK92	SUK91	SUK81	SUK62	SUK61	SUK61
<b>Colour Options (Gas Hob)</b>						
Stainless Steel	SUK92MX8	SUK91MFX7	SUK81MFX5	SUK62MX8		SUK61MX8
Stainless Steel (pyrolytic cleaning)					SUK61PX8	
Black	SUK92MBL8	SUK91MBL7	SUK81MBL5	SUK62MBL8		SUK61MBL8
Cream	SUK92MP9					
<b>Colour Option (Ceramic Hob)</b>						
Stainless Steel	SUK92CMX8	SUK91CMX7		SUK62CMX8		
Black	SUK92CBL8			SUK62CBL8		
<b>Technical data</b>						
Main oven net capacity (litres)	60	109	78,5	60	68	68
Auxiliary oven net capacity (litres)	27			27		
Nominal power (Gas hob)	4.3kW	4.1kW	3.0kW	5.4kW	3.0kW	3.0kW
Nominal power (ceramic hob)	13.3kW	13.4kW		12.8kW		
Conventional kW/h (main oven)	0.80kW/h	1.19kW/h	1.15kW/h		0.84kW/h	0.83kW/h
Conventional kW/h (auxiliary oven)	0.59kW/h			0.59kW/h		
Forced air convection kW/h (main)	0.69kW/h	1.25kW/h	0.99kW/h	0.59kW/h	0.88kW/h	0.74kW/h
<b>Standard Accessories Main oven</b>						
Roasting/Grill pan	X	X	X		X	
Extra deep tray	X			X	X	X
Grill Pan Handle						
Grill Mesh	X	X	X	X	X	X
Chrome Shelf	X	X	X	X	X	X
Non-Stick tray		X	X			
Telescopic shelf						
Rotisserie kit		X	X			
Roof Liner	X					
Wok Support (gas hob models only)	X			X	X	X
<b>Standard Accessories Auxiliary oven</b>						
Grill Mesh	•			•		
Chrome Shelf	•			•		
Non-Stick tray	•			•		
Roof Liner				•		
<b>Cooker base &amp; height</b>						
Fixed plinth at base (cooker height 900mm)		•	•	•		
4 St/steel legs (cooker height 880-915mm) or optional plinth (cooker height 900mm)	•				•	•
<b>Optional Extras</b>						
Splashback (Stainless steel)	KIT90X	KIT90X		KIT60X	KIT60PX	KIT60X
Chimney hood (Stainless steel)	KSED95X-1	KSED95X-1		KSED65X-1	KSED65X-1	KSED65X-1
Chimney hood (Cream)	KSED95P-9					
Teppanyaki grill plate (gas models only)	TBX6090	TBX6090	TBX6090	TBX6090	TBX6090	TBX6090
1 level telescopic shelf (total extraction)	GTIT			GTIT	GTIT	GTIT
2 level telescopic shelf (partial extraction)	GT1P			GT1P	GT1P	GT1P
Plate rack (auxiliary oven)	PR7A2					
Wok Support (gas models only)	WOKGHU	WOKGHU	WOKGHU	WOKGHU	WOKGHU	WOKGHU
Stay clean liners (Main)	PC60			PC60		PC68
Pizza stone	PRTX	PRTX	PRTX	PRTX	PRTX	PRTX
Pizza shovel	PALPZ	PALPZ	PALPZ	PALPZ	PALPZ	PALPZ

## HIGH POWERED COOKERS

When selecting an appliance with a nominal power in excess of 7.2kW, a qualified electrician should be consulted to check the suitability of the circuit within the property where the connection is intended to be made. Recent wiring developments can allow larger high powered appliances to be installed safely in homes by experts. All such appliances must be installed by a qualified electrician.

## COOKER SELECTION AT A GLANCE

Cooker width	Model no	FINISH			HOB TYPE			NO. OF OVENS			MAIN OVEN pyrolytic cleaning
		stainless steel	gloss black	gloss cream	gas	induction	ceramic	1	2	3	
<b>OPERA RANGE</b>											
150cm	A5-8	•			•					•	
120cm	A4-8	•			•					•	
	A4BL-8		•		•					•	
	A3-7	•			•					•	
100cm	A2PYID-8	•			•	•				•	•
	A2PY-8	•			•					•	•
	A2-8	•			•					•	
	A2BL-8		•		•					•	
90cm	A1PYID-7	•			•	•				•	•
	A1-7	•			•					•	
	A1BL-7		•		•					•	
	A1P-9			•	•					•	
<b>SYMPHONY RANGE</b>											
110cm	SY4110-8	•			•						•
	SY4110BL8		•		•						•
90cm	SY92IPX8	•			•	•				•	•
	SY92PX8	•			•					•	•
60cm	SY62MX8	•			•					•	
	SY6CPX8	•			•		•	•			•
<b>CONCERT RANGE</b>											
90cm	SUK92MX8	•			•					•	
	SUK92MBL8		•		•					•	
	SUK92MP9			•	•					•	
	SUK92CMX8	•			•		•			•	
	SUK92CBL8		•		•		•			•	
	SUK91MFX7	•			•			•		•	
	SUK91MBL7		•		•			•		•	
	SUK91CMX7	•			•			•		•	
80cm	SUK81MFX5	•			•					•	
	SUK81MBL5		•		•					•	
60cm	SUK62MX8	•			•					•	
	SUK62MBL8		•		•					•	
	SUK62CMX8	•			•		•			•	
	SUK62CBL8		•		•		•			•	
	SUK61PX8	•			•					•	•
	SUK61MX8	•			•					•	
	SUK61MBL8		•		•					•	

## GLASS SPLASHBACKS

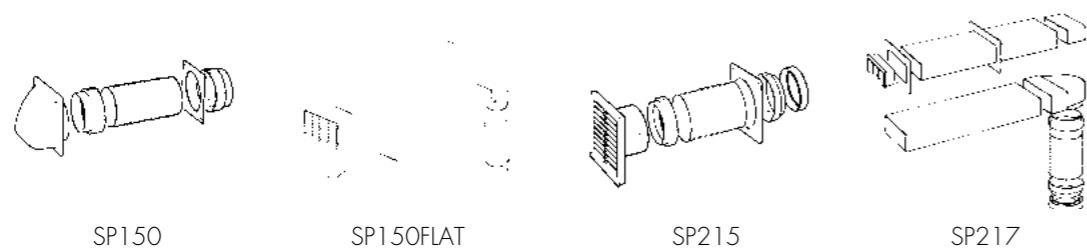
DIMENSIONS	60CM W X 75CM H	75CM W X 75CM H	75CM W X 32CM H	90CM W X 75CM H	2 X 100CM W X 14CM H
GLASS COLOUR	MODEL NOS	MODEL NOS	MODEL NOS	MODEL NOS	MODEL NOS
BLACK	SPG6075NE	SPG7575NE	SPG7532NE	SPG9075NE	UPGNE
CREAM	SPG6075P			SPG9075P	UPGP
RED	SPG6075R			SPG9075R	UPGR
PASTEL BLUE	SPG6075AZ			SPG9075AZ	UPGAZ
LIME	SPG6075VE			SPG9075VE	UPGVE
SILVER	SPG6075S	SPG7575S		SPG9075S	UPGS
MATT WHITE	SMG6075B	SMG7575B	SMG7532B	SMG9075B	UMGB
MATT BLACK	SMG6075NE	SMG7575NE	SMG7532NE	SMG9075NE	UMGNE

## UPSTANDS

Model No	Hood type	MODEL DETAILS				OPTIONAL EXTRAS/ACCESSORIES			
		Colour	Hood width	Vent outlet diameter	Nominal power	Filter or re-circulation kit	Charcoal Filter	Simple vent kit	Compre-hensive vent kit
KD150X-2	chimney	st/steel	150cm	150mm	500W		FLT-1 x 2	SP150	SP150FLAT
KD120X-2	chimney	st/steel	120cm	150mm	205W		FLT-1	SP150	SP150FLAT
KI120X-1	island	st/steel	120cm	150mm	330W		KITFC161	N/A	SP150FLAT
KSE110BL	chimney	black	110cm	150mm	290W		FLT3	SP150	SP150FLAT
KSE110X	chimney	st/steel	110cm	150mm	290W		FLT3	SP150	SP150FLAT
KD100N-2	chimney	black & st/st	100cm	150mm	205W		FLT-1	SP150	SP150FLAT
KD100X-2	chimney	st/steel	100cm	150mm	205W		FLT-1	SP150	SP150FLAT
KD90N-2	chimney	black & st/st	90cm	150mm	205W		FLT-1	SP150	SP150FLAT
KD90X-2	chimney	st/steel	90cm	150mm	205W		FLT-1	SP150	SP150FLAT
K90X	chimney	st/steel	90cm	150mm	310W		KITFC161	SP150	SP150FLAT
KSE912X2	chimney	st/st & silver glass facia	90cm	150mm	380W		KITFC161	SP150	SP150FLAT
KSE912NX2	chimney	st/st & black glass facia	90cm	150mm	380W		KITFC161	SP150	SP150FLAT
KCVR9NE	angled	st/st & black glass	90cm	150mm	450W	KITFTS	KITFC906	SP150	SP150FLAT
KV90X-1	chimney	glass & st/st	90cm	150mm	290W		KITFC161	SP150	SP150FLAT
KFV90	chimney	glass & st/st	90cm	150mm	290W		KITFC161	SP150	SP150FLAT
KSED95P-9	chimney	cream	90cm	120mm	240W		FLT2	SP215	SP217
KSED95X-1	chimney	st/steel	90cm	120mm	240W		FLT2	SP215	SP217
KIV90X-1	island	glass & st/st	90cm	150mm	330W		KITFC161	N/A	SP150FLAT
KEIV90	island	glass & st/st	90cm	150mm	220W		KITFC900	N/A	SP150FLAT
KSET910X	telescopic	st/steel	90cm	120mm	300W		KITC3R	SP215	SP217
KSEG90X-1	ceiling	st/steel	90cm	150mm	380W		KITFC152	SP150	SP150FLAT
KSEG77X-1	canopy	st/steel	77cm	150mm	290W		KITFC161	SP150	SP150FLAT
KTS75	angled	st/st & silver glass	75cm	150mm	240W	N/A	N/A	SP150	SP150FLAT
KTS75AC-1	angled	st/st & graphite glass	75cm	150mm	240W	KITFTS	KITFC906	SP150	SP150FLAT
KTS75C	angled	st/st & silver glass	75cm	150mm	240W	KITFTS	KITFC906	SP150	SP150FLAT
KTS75NC	angled	st/st & black glass	75cm	150mm	240W	KITFTS	KITFC906	SP150	SP150FLAT
KMN75X	angled	st/steel	75cm	150mm	380W		KITFC152	SP150	SP150FLAT
KMN75AB	angled	white	75cm	150mm	380W		KITFC152	SP150	SP150FLAT
KMN75AN	angled	black	75cm	150mm	380W		KITFC152	SP150	SP150FLAT
KSED75X-1	chimney	st/steel	70cm	120mm	240W		FLT2	SP215	SP217
KSEG7-1	canopy	silver grey	70cm	120mm	181W		KITFC142	SP215	SP217
KFV60	chimney	glass & st/st	60cm	150mm	290W		KITFC161	SP150	SP150FLAT
KSED65X-1	chimney	st/steel	60cm	120mm	240W		FLT2	SP215	SP217
KSET610X	telescopic	st/steel	60cm	120mm	280W		KITC3R	SP215	SP217
KSEG54X-1	canopy	st/steel	54cm	150mm	290W		KITFC161	SP150	SP150FLAT

Vent kits

Simple vent kits include 1 metre of flexible hose, while comprehensive kits add a further 2 metres of ducting with two 1 metre flat channel sections.



	Energy efficiency class	Energy consumption (kW/h per year)	Climatic class	freezing capacity (kg/24h)	Thaw time (h)	Reversible doors (Y/N)	Comprehensive door storage (Y/N)	Sliding rail or door-on-door fitting
<b>Freestanding models</b>								
FAB32	A+	292	SN-T	15	20	N	Y	N/A
FAB30	A+	266	ST	3.5	16	N	Y	N/A
FAB28	A++	180	N-ST	2	12	N	Y	N/A
FAB28QSG & FAB28QBV	A+	215	N-ST	2	12	N	Y	N/A
CVB20	A+	223	SN-ST	20	23	N	N	N/A
FAB10	A+	169	SN	2	10	N	N	N/A
UKM235XNF	A+	281	SN-T	18	15	Y	N	N/A
UKM395X	A+	146	SN-ST			Y	Y	N/A
UKC325XNF	A+	292	SN-ST	10	18	Y	N	N/A
FA55PCIL1	A+	454	T	12	5	N	Y	N/A
FA55XBIL1	A+	454	T	12	5	N	Y	N/A
<b>Built-in models</b>								
CR330AP	A+	274	ST	6	13	Y	Y	SR
CB30PFNF	A+	298	N-T	10	12	Y	Y	DD
FR310APL1	A+	266	SN-ST	2	14	Y	Y	SR
CR325APNF	A+	296	SN-T	9	16	Y	Y	SR
FR205APL7	A+	212	N	2	10	Y	Y	SR
FR220APL7	A+	128	SN			Y	Y	SR
VR105A	A	186	ST	15	9	Y	N	SR
UKFL164AP	A+	120	ST			Y	Y	SR
UKFL167AP	A+	175	ST	2	12	Y	Y	SR
UKV144AP1	A+	186	N-ST	9	15	Y	N	SR
FR132AP	A+	175	N	2	12	Y	N	DD
FR148AP	A+	116	N	-	-	Y	N	DD
VR115AP	A+	186	ST	12	28	Y	N	DD

Climatic Class

The climatic class indicates the range of ambient temperatures for which the appliance is suitable. It is important to select a refrigeration appliance specified for the environment in which it is to be situated.

Climatic Class	Min temp (°C)	Max temp (°C)
SN	10	32
N	16	32
ST	18	38
T	18	43

FREESTANDING DISHWASHERS

60cm models	DF14SS	DC146L	DC136LW	DC132LW	DC122	DF6FAB
<b>Type &amp; Colour</b>						
Fully clad st/steel	•					
Door st/steel		DC146LSS			DC122SS	
Black		DC146LB			DC122B	
White		DC146LW	•	•	DC122W	
Coloured Retro						•
<b>Technical data</b>						
International place settings	14	14	13	13	12	13
Noise level dB(A) re 1pV	39	43	43	47	49	42
Energy efficiency rating	A+	A+	A++	A+	A	A++
Drying performance	A	A	A	A	A	A
EN50242 test programme	Eco	Eco	Eco	Eco	Eco	Eco
Nominal power (kW)	1,9	1,9	1,9	1,9	1,9	1,9
Water consumption (litres per annum)	3360	3360	2800	3060	3360	2800
Energy consumption (kW/year)	292	292	258	317	314	258
<b>Features</b>						
Aquastop	Total	Total	Partial	Partial	Partial	Total
Condenser drying	•	•	•	•	•	•
Concealed heating element	•	•	•	•	•	•
Adjustable water softener	•	•	•	•	•	•
Top cutlery tray	•	•				
Adjustable lower basket	Total	Total	2 Racks	1 Rack		2 Racks
Automatic adjustable upper basket	3 Levels	3 Levels	3 Levels	3 Levels		3 Levels
Manual upper basket					2 levels	
Easyglide baskets	•	•				•
Self balancing door hinges	•	•	•	•	•	•
St/steel filter	•	•	•	•	•	•
Delay timer	1-24h	1-24h	1-24h	1-24h	3,6,9,12h	1-9h


45cm models	DF4SS	D4SS	D4B	D4W
<b>Type &amp; Colour</b>				
Fully clad st/steel	•	•		
White				•
Black			•	
<b>Technical data</b>				
International place settings	10	10	10	10
Noise level dB(A) re 1pV	48	48	48	52
Energy efficiency rating	A	A	A	A
Drying performance	A	A	A	A
Washing performance	A	A	A	A
EN50242 test programme	Eco	Eco	Eco	Eco
Nominal power (kW)	1,9	1,9	1,9	1,9
Water consumption (litres per annum)	3080	3080	3080	3080
Energy consumption (kW/year)	266	266	266	266
<b>Features</b>				
Aquastop	Total	Total	Total	Partial
Condenser drying	•			
Concealed heating element	•	•	•	•
Adjustable water softener	•	•	•	•
Adjustable lower basket	•	•	•	•
Adjustable upper basket	•	•	•	•
St/steel baskets	•			
Graphite baskets		•	•	•
Self balancing door hinges	•	•	•	•
St/steel filter	•	•	•	•
Delay timer	9h	12h	12h	


BUILT-IN DISHWASHERS


Horizontal & 60cm models	DI6FAB	DI912	DI607	DI6SS	DI6014	DI6MAX	DI6013NH	DI6013	DI6012
<b>Type &amp; Colour</b>									
Horizontal		•	•						
Product width	60cm	90cm	60cm	60cm	60cm	60cm	60cm	60cm	60cm
Coloured Retro	•								
Fully integrated		•	•		•	•	•	•	•
St/steel door				•					
<b>Technical data</b>									
International place settings	14	12	7	14	14	13	13	13	12
Noise level dB(A) re 1pV	43	43	45	39	39	44	44	43	48
Energy efficiency rating	A++	A	A	A+	A+	A++	A++	A++	A
Drying performance	A	A	A	A	A	A	A	A	A
EN50242 test programme	Bio	Bio	Bio	Eco	Eco	Eco	Eco	Eco	Eco
Nominal power (kW)	1,9	1,9	1,9	1,9	1,9	1,9	1,9	1,9	1,9
Water consumption (litres per annum)	2800	3640	2800	3360	3360	2800	2800	2800	3360
Energy consumption (kW/year)	258	314	211	292	292	258	258	258	314
<b>Features</b>									
Aquastop	Total	Total	Total	Total	Total	Total	Total	Total	Partial
Condenser drying	•	•	•	•	•	•	•	•	•
Interior light		•	•	•	•	•			
Concealed heating element	•	•	•	•	•	•	•	•	•
Adjustable water softener	•	•	•	•	•	•	•	•	•
Top cutlery tray				•	•				
Adjustable lower basket	2 Racks	•	•	Total	Total	2 Racks	2 Racks	2 Racks	1 Rack
Automatic adjustable upper basket	3 Levels			3 Levels	3 Levels	3 Levels	3 Levels	3 Level	
Manual upper basket									2 Levels
Easyglide baskets	•	•	•	•	•				
Easy multi-hinge door assembly		•	•		•	•	•	•	
Self balancing door hinges	•	•	•	•	•	•	•	•	•
St/steel filter	•	•	•	•	•	•	•	•	•
Delay timer	1-9h	1-9h	1-9h	1-24h	1-24h	1-9h	1-24h	1-24h	


45cm models	DI4SS	DI4
<b>Type &amp; Colour</b>		
Fully integrated		•
St/steel door	•	
<b>Technical data</b>		
International place settings	10	10
Noise level dB(A) re 1pV	48	46
Energy efficiency rating	A	A
Washing performance	A	A
Drying performance	A	A
EN50242 test programme	Eco	Eco
Nominal power (kW)	1,9	1,9
Water consumption (litres)	3080	3080
Energy consumption (kWh)	266	266
<b>Features</b>		
Aquastop	Total	Total
Concealed heating element	•	•
Adjustable water softener	•	•
Adjustable lower basket	•	•
Adjustable upper basket	•	•
Easy glide St/steel baskets	•	•
Self balancing door hinges	•	•
St/steel filter	•	•


## OVEN FUNCTIONS


 **Circulaire:**  
The combination of the fan and circular element around it gives a hot air cooking method. This provides many benefits including no preheat if cook time is more than 20 minutes, no flavour transfer when cooking different foods at the same time, less energy, and shorter cook times. Good for all types of food.


 **Circulaire with upper and lower elements:**  
The use of the fan with both elements allows food to be cooked quickly and effectively, ideal for large joints that require thorough cooking. It offers a similar result to rotisserie, moving the heat around the food, instead of moving the food itself, enabling any size or shape to be cooked.


 **Circulaire with lower element:**  
The addition of the lower element adds extra heat at the base for food which requires extra cooking.


 **Circulaire with upper element:**  
Similar to fan with upper element with the added cooking speed of circulaire, ideal for dishes with a crispy topping.


 **Upper and lower element only:**  
A traditional cooking method best suited for single items located in the centre of the oven. The top of the oven will always be hottest. Ideal for roast, fruit cakes, bread etc.


 **Lower heating element only:**  
Ideal for foods that require extra base temperature without browning, e.g. pastry dishes, pizza. Also suitable for slow cooking of stews and casseroles.


 **Top element only:**  
Useful for browning the tops of dishes such as lasagne and potato or cheese topped recipes.


 **Grill element/Half grill:**  
For rapid cooking and browning of foods. Best results can be obtained by using the top shelf for small items, the lower shelves for larger ones, such as chops or sausages. For half grill heat is generated only at the centre of the element, so is ideal for smaller quantities.


 **Fan with upper and lower elements:**  
The elements combined with the fan aim to provide more uniform heat, a similar method to conventional cooking, so pre-heat is required. Most suitable for items requiring slow cooking methods.


 **Fan with upper element:**  
The same functionality as top element only but will distribute the heat around the cavity allowing for plate warming etc at the same time.


 **Fan with grill element:**  
The fan reduces the fierce heat from the grill, providing an excellent method of grilling various foods, chops, steaks, sausages etc. giving even browning and heat distribution, without drying out the food. The top two levels recommended for use, and the lower part of the oven can be used to keep items warm at the same time, an excellent facility when cooking a grilled breakfast. Half grill (centre portion only) is ideal for small quantities of food.


 **Fan with lower element:**  
This combination completes cooking more quickly of foods that are ready on the surface, but require more cooking inside, without further browning.


 **Pizza function:**  
The simultaneous operation of these three elements ensures an optimum cooking facility when used with the Smeg pizza stone.

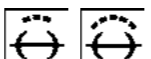
 **Defrost:**  
Both symbols refer to the same function. The circulation of air enables quicker thawing of frozen food, without the use of any heat. Ideal for use prior to cooking of ready-made dishes, or cream filled products etc.


 **Snowflake:**  
With the switch on this symbol, no heating is possible even if the thermostat is turned.


 **Fan:**  
As above but with thermostat set a '0'.


 **Bread proving:**  
Air at 40°C provides the perfect environment for proving yeast type dough mixes. Simply select the function and place dough in the cavity for allotted time.

 **Rotisserie:**  
The rotisserie (where installed) works in combination with the grill element whilst constantly turning the food.


 These symbols allow use of the rotisserie with full or half grill.


 This symbol adds top heat to cook food more quickly.


 This symbol adds the fan to distribute the heat quickly and evenly.


 **Eco:**  
The Eco setting is a fast preheat function, which combines grill, fan and lower element to achieve optimum energy efficiency. Only to be used prior to selecting the main cook function.

## GAS OVEN FUNCTIONS

 **Gas burner only:**  
traditional convection cooking.

 **Gas burner only:**  
can also be used in conjunction with the rotisserie.

 **Circogas:**  
The fan is added to the gas burner to distribute the heat quickly and evenly throughout the oven cavity, avoiding flavour transfer when cooking a number of different dishes at the same time.

 circogas can also be used in conjunction with the rotisserie.

## Quality, Environmental and Occupational Health & Safety Management Systems

All Smeg factories are ISO9001, ISO14001 and OHSAS 18001 certified, ensuring that the highest standards of quality are continually maintained whilst actively responding to all environmental issues relating to manufacture. The materials and components used to produce smeg products undergo strict quality control testing, and care is taken to source recyclable materials wherever possible. These management systems enable Smeg to provide complete assurance that all products meet superior standards whilst respecting the environment. The workforce is not forgotten – the occupational health and safety assessment scheme promotes a safe and healthy working environment, aids legislative compliance and helps improve overall performance.



UNI EN ISO 9001



UNI EN ISO 14001



OHSAS 18001

Whereas every effort has been made to ensure that the information contained in our literature is correct at time of going to print, this brochure should not be regarded as an infallible guide to current specification, nor does it constitute an offer for sale of any particular product.



This catalogue is printed entirely on FSC® (Forest Stewardship Council) certified paper that has been produced with cellulose sourced from forests that are managed responsibly, in accordance with rigorous environmental, social, economic and cultural standards.  
<http://www.fsc.org/>