



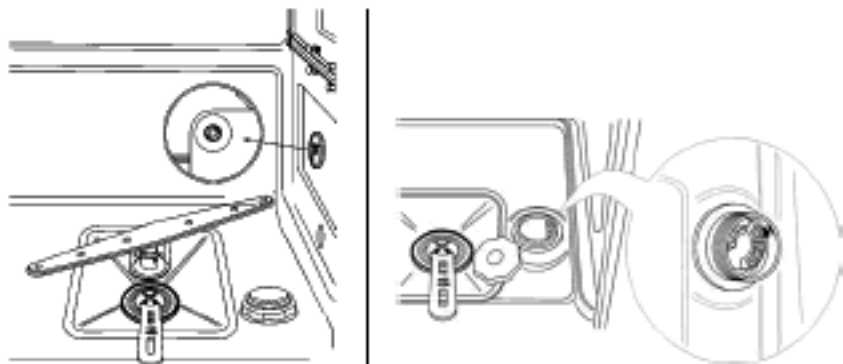
ADJUSTING THE WATER SOFTENING SYSTEM

The dishwasher is equipped with an device for the user to adjust the water softening system according to the hardness of the water supply.

According to the machine model, the selector which acts on the adjustment may be located:

- inside the plastic locking ring located on the **right-hand** side, inside the dishwasher;
- inside the water softener, just below the cap.

Both allow for adjustment to 5 settings.



WATER HARDNESS TABLE

| WATER HARDNESS | | SETTING |
|----------------------|----------------------|----------------------|
| German Degrees (*dH) | French Degrees (*dF) | |
| 0 - 4 | 0 - 7 | Setting N. 1 NO SALT |
| 5 - 15 | 8 - 25 | Setting N. 1 |
| 16 - 23 | 26 - 40 | Setting N. 2 |
| 24 - 31 | 41 - 60 | Setting N. 3 |
| 32 - 47 | 61 - 80 | Setting N. 4 |
| 48 - 58 | 81 - 100 | Setting N. 5 |

Contact your local water board for information on the hardness of your water supply.