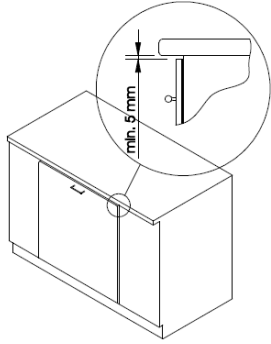
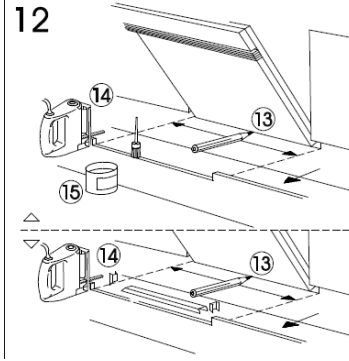


Installing Cosmetic DW Door and Plinth

11



12



As illustrated on the **installation template**, depending on the dimensions of the plinth this item may need cutting down directly in front of the dishwasher to give clearance for the dishwasher door to open. As shown in the example below by the dotted line and template drawing 11 and 12.

