

Smeg philosophy

Distinctive domestic appliances developed in collaboration with leading architects of the world. Products that express "Made in Italy" style by perfectly combining design, performance, and attention to detail. Smeg. Technology with style.

FREESTANDING DISHWASHERS	2
FREESTANDING LAUNDRY	16
CHARTS	22



Smeg was established in 1948 as an enamelling plant, working with metals; the acronym of Smeg (Smalterie Metallurgiche Emiliane Guastalla) serves as a memory of the initial activity carried out by the Company.

SMEG DISHWASHERS, STYLISH, INNOVATIVE AND EFFICIENT



Designed to produce optimum wash results with minimum use of energy and water, dishwashers are offered in a variety of styles which can be co-ordinated with other Smeg appliances.

COMPREHENSIVE RANGE

The dishwasher is an essential component of the modern kitchen. A freestanding dishwasher can be a good choice in a kitchen or utility room where the current style is not necessarily permanent, as its position can be changed very simply, without the need of installation work. It can also form a **bold style statement** and be used to co-ordinate with other kitchen items and accessories.

Freestanding 60cm models

The majority of the 60cm models feature a **curved facia** with **easy-to-read display** that clearly shows the programme and option selected.



ST/STEEL

Stainless steel models can be chosen with hidden controls or with a visible control panel. Some are styled to co-ordinates with other Smeg appliances.



BLACK & WHITE

Smart gloss black and simple elegant white options complete the freestanding range. A freestanding model is available to suit any kitchen style or size, and there are different dishwasher specifications to match most requirements and budgets.



50'S RETRO STYLE

50's retro design in a choice of three bright bold shades and two soft pastel tones meets a high quality 60cm dishwasher to bring a touch of colour to the kitchen. The look is completed by the addition of colour coordinating racks and cutlery basket.

Freestanding 45cm models

45cm models are the ideal choice for small kitchens with limited space. The range has been renewed by improving performance and functionality.



The shuttle system has been replaced by the patented **Swing Wash System** which allows better coverage within the tank improving the dishwashers washing performance.

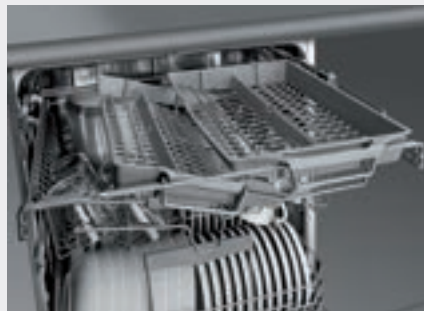
In addition to the options previously available on the 45cm models, the range has been upgraded with other options already available on 60cm models such as: FlexiZone, FlexiTabs, Delay timer up to 24hrs (previously only up to 9hrs) , Hyclean and Quick Time option.

The 45cm range consists of two Stainless Steel models; one with hidden controls and one with a visible control panel, and a Black model with visible control panel.

NEW DESIGN 3RD BASKET: FLEXIDUO



Smeg have completely redesigned the **3rd cutlery basket** to create a totally new solution: the **Smeg FlexiDuo** which allows you to arrange cutlery or small cups, ladles, or bulky utensils however you like: it consists of two separate and moveable sections, which can be adjusted individually depending on the dishes placed in the basket below, or even removed entirely depending on your loading needs. FlexiDuo baskets are featured on all 13 place setting models.



THREE LOADING LEVELS TO OPTIMISE SPACE



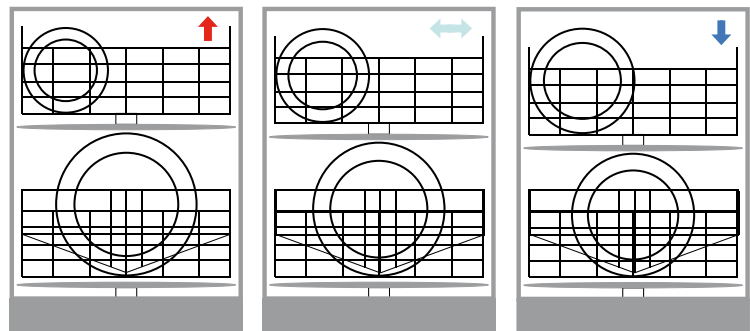
The 13 place setting configuration offers a **high load flexibility** and **greater performance**.



The interiors of these models have been re-designed to feature the new FlexiDuo baskets at the top, allowing a greater flexibility when loading the dishwasher.

The Three loading levels optimizes space within the dishwasher so once loaded an even larger amount can be washed during one cycle.

The baskets below the FlexiDuo baskets can be automatically adjusted on 3 levels, even when the basket is loaded, to allow plates of up to 30cm diameter to be placed below, and the lower basket includes a number of adjustable sections.



12 place settings models are very simple to operate and offer A+A performance for a modest outlay. The two baskets hold a full 12 place setting load and can still accommodate 30cm diameter plates when the top basket is manually adjusted to its upper level.

60cm Smeg dishwashers are available in a choice of 12 or 13 place settings, with a greater freedom of placement in the dishwasher, anticipating the needs and expectations of modern consumers.

10 PLACE SETTINGS: 45CM SPACE SAVING SOLUTION



The range also includes a number of 45cm dishwashers with 10 place settings, a great solution for singles or small kitchens.



With a capacity of just 10 place settings, these machines allow smaller daily wash cycles to be run efficiently in comparison with a 60cm model, where the same load size would leave wasted space.

FUNCTIONAL SOLUTIONS



Internal lighting

BLUE LIGHT

Elegant **blue interior lights** are featured on the DF13SS which illuminate the inside of the dishwasher so that all the items can be clearly seen.

Adaptable cutlery basket:



The top covers on the cutlery basket can be easily adjusted on either side to provide extra space in the centre to place larger items which are too bulky to fit otherwise.



FlexiZone



The $\frac{1}{2}$ load FlexiZone allows you to wash a reduced load **saving energy, water and time** and there are no restrictions on where the items are placed. Traditional half loads allow only one of the baskets to be used. Flexi-Zone can be found on most dishwashers, as either an option or a programme depending on the model.

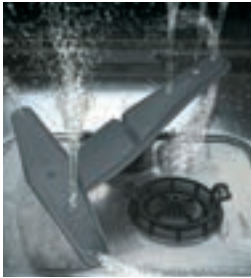
Anti drip system



An exclusive anti-drip system is fitted to the front of the basket to prevent irritating drips on the floor as the basket is extracted. It is designed to improve the drying performance of the dishwasher.

WASH EFFICIENCY

Smeg research has resulted in two **excellent wash systems**: Orbital for 60cm models, and the SwingWash for 45cm dishwashers.



ORBITAL WASH SYSTEM: This system consists of a **double spray arm**, with contra-action rotation, which distributes water evenly throughout the cavity. The spray arm jets are perfectly shaped to direct the water with precision, ensuring an excellent wash quality and a greatly reduced noise level.



SWING WASH SYSTEM: The new SwingWash spray system further improves the wash coverage in the rectangular shaped tank by the addition of an extra spray arm which directs water towards the corners, swinging alternately between the rear and the front of the machine during the cycle.

EXPLAINING THE EU ENERGY LABEL



The new EU energy label provides consumers with accurate, recognisable and comparable information on domestic household products regarding energy consumption, performance and other essential characteristics.

The new labels now include:

- 7 energy classes maximum: from A+++ to D
- Annual energy consumption in kWh (no longer per cycle)
- Noise emissions in decibels
- Capacity in place settings
- Drying efficiency class
- Annual water consumption in litres
- All dishwashers must now have an 'A' class cleaning performance. For this reason cleaning performance is no longer indicated on the label.



Smeg dishwashers with A+, A++ or A+++ rating are highlighted with one of the following symbols.

ENERGY & WATER SAVINGS



ENERSAVE

At the end of the drying cycle a special device slowly automatically opens the door a few centimetres which **ensures perfect drying** and can **save up to 20% of energy** on some models.



AQUATEST: An electronic infrared sensor measures the clarity of the water during an Auto programme, and automatically ensures the **minimum consumption of water and energy** during the load. Models with Aquatest will

have at least one Auto programme.



AUTO:

The length of an

Auto programme depends on the need for a pre-wash and the number of rinses required, as monitored by the Aquatest, which automatically selects the programme most suitable for the degree of food debris found on the dishes.

A dishwasher is considered an essential item in a modern kitchen. A comprehensive choice of model features and programme options ensures that Smeg dishwashers offer efficiency, convenience and complete peace of mind. Continuous research and development results in high quality appliances with energy saving features and excellent performance.

INCREASED CONVENIENCE

Smeg have developed a number of features and options that are intended to **save time or effort**, and allow the appliance to run at the convenience of the user. Each model has a selection of programmes with wash times from as little as 27 minutes up to a much longer, but **extremely energy efficient** 180 minutes, however an average family wash is likely to take between 95 and 120 minutes, estimated at approximately 100 minutes.



FINGER-FRIENDLY STAINLESS STEEL: The st/steel material used on the exteriors of Smeg dishwashers has a finger-friendly finish to assist in maintaining the surfaces in a pristine condition.



QUICK TIME: The Quick Time option can be selected in conjunction with all programmes except the pre-wash in order to reduce the length of the wash cycle up to 55%.

By using higher temperatures and an intense mechanical spray action, Quick Time is able to save valuable time.



The ½ load **FLEXIZONE** allows you to wash a reduced load saving energy, water and time and there are no restrictions on where the items are placed.

To assist in the selection of the right dishwasher a number of symbols now appear beneath each model, which act as an aid to checking and comparing the products on offer. Some examples are shown here, but details of the full range of symbols can be found at the back of the brochure.



FLEXITABS: Regardless of the type of detergent used, the wash cycle adjusts to give the best possible results every time.



DELAY TIMER: A delay timer can postpone the start of the programme by up to 24 hours, for convenience and also to take advantage of off-peak energy periods.



CRYSTAL: The crystal cycle is a particular programme designed especially for delicate dishes with light dirt.



RAPID 27 MINS: A quick programme which takes just 27 minutes, suitable for a lightly soiled load.



STRONG & FAST: This special programme takes less than 1 hour to eliminate the most stubborn dirt and dried on residues.

QUIET OPERATION

In depth research and attention to detail has enabled Smeg dishwashers to become exceptionally quiet. The motor and pump are encased in special panels to absorb the noise and vibration, resulting in a noise level as low as 42dB(A) re 1 pW.



A dishwasher being monitored for sound under very specific test conditions in a laboratory before being assigned an official noise level.

PROTECTION



TOTAL ACQUASTOP:

In addition to the partial Acquastop protection present in all Smeg dishwashers, some models have an electronic device fitted to the water intake hose, which monitors water levels in the machine, detects leaks in the hose and switches off the water supply immediately when necessary.



When the **HYCLEAN** option (or Ultracleanse programme) is selected, the dishwasher performs a final 10 minute rinse at a high temperature of 70°C, eliminating virtually all bacteria to achieve the highest possible standards of cleanliness. The Hyclean option can be selected with almost all cycles at temperatures above 50°C.

DF13SS

60CM DISHWASHER WITH HIDDEN CONTROLS,
FULLY CLAD IN ST/STEEL



MODEL FEATURES



PROGRAMMES & OPTIONS



13 place settings

10 programmes; Soak, Crystal, ECO, Rapid 27 mins, ECO Quick, Delicate Quick, Normal Quick, Auto 45-65, Strong & fast, Super 5 temperatures (38° 45° 50° 65° 70°)

Consumption (based on 280 cycles):

Water: 2520 litres per annum

Energy: 233 kWh/year

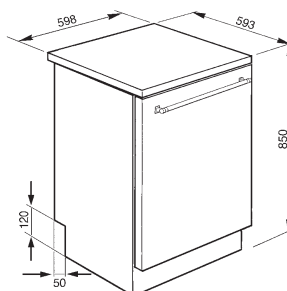
Noise level: 39 dB (A) RE 1 pW

Internal light

Maximum plate diameter 30cm

Average wash time approximately 100 mins, but Quick Time can reduce this by up to 55%

Handle co-ordinates with other Classic style products





DF13SS

DF6FABVE1

60CM 50's RETRO FREESTANDING DISHWASHER IN LIME GREEN



MODEL FEATURES



PROGRAMME OPTIONS

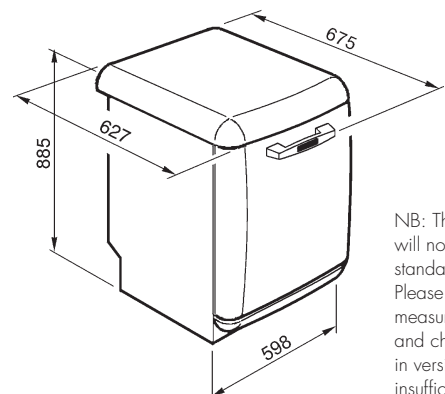


13 place settings
9 programmes: Soak, Crystal, ECO, Rapid 27 mins, Eco Quick, Normal Quick, Auto 60-70, Strong & fast, Super
5 temperatures (38° 45° 50° 65° 70°)
Consumption (based on 280 cycles):
Water: 2800 litres per annum
Energy: 258 kW/year
Noise level: 42 dB (A) RE 1 pW

Maximum plate diameter 30cm
Average wash time approximately 100 mins, but Quick Time can reduce this by up to 55%

Colour co-ordinating cutlery basket and racks

Retro fires, refrigeration and laundry are also available



NB: This dishwasher will not fit under a standard worktop. Please check measurements carefully and choose the built-in version if there is insufficient height.

DF6FABR2

60CM 50's RETRO FREESTANDING DISHWASHER IN RED



MODEL FEATURES



PROGRAMME OPTIONS



13 place settings
 10 programmes: Soak, Crystal, ECO, Rapid 27 mins, Eco Quick, Delicate Quick, Normal Quick, Auto 45-65, Strong & fast, Super 5 temperatures (38° 45° 50° 65° 70°)
 Consumption (based on 280 cycles):
 Water: 2744 litres per annum
 Energy: 292 kW/year
 Noise level: 42 dB (A) RE 1 pW

Maximum plate diameter 30cm
 Average wash time approximately 100 mins, but Quick Time can reduce this by up to 55%

Colour co-ordinating cutlery basket and racks

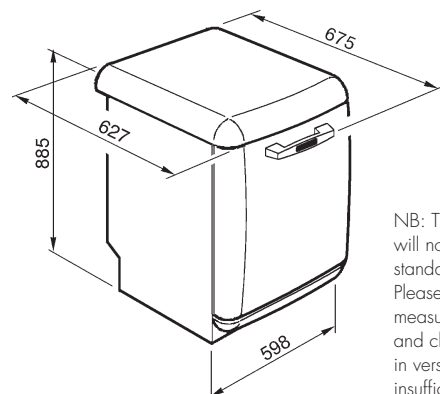
Retro fires, refrigeration and laundry are also available



DF6FABP2 Cream



DF6FABNE2 Black



NB: This dishwasher will not fit under a standard worktop. Please check measurements carefully and choose the built-in version if there is insufficient height.

For additional information see page 22

DC134LSS

60CM DISHWASHER,
SILVER WITH ST/STEEL DOOR



DC134LB

60CM DISHWASHER,
BLACK



MODEL FEATURES

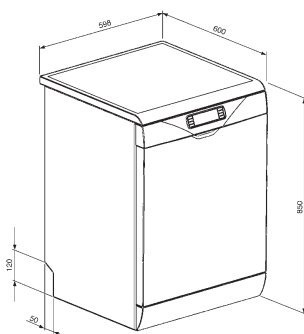


PROGRAMMES & OPTIONS



13 place settings
13 programmes: Soak, Crystal, Delicate, ECO, Rapid 27 mins, Eco Quick, Delicate Quick, Daily Quick, Normal Quick, Auto 40-50, Auto 60-70, Strong & fast, Super
5 temperatures (38° 45° 50° 65° 70°)
Consumption (based on 280 cycles):
Water: 2744 litres per annum
Energy: 294 kW/year
Noise level: 43 dB (A) RE 1 pW

Maximum plate diameter 30cm
Average wash time approximately 100 mins, but Quick Time can reduce this by up to 55%



DC134LW

60CM DISHWASHER,
WHITE



DC122SS-1

60CM DISHWASHER,
SILVER WITH ST/STEEL DOOR



DC122W-1

60CM DISHWASHER,
WHITE



MODEL FEATURES

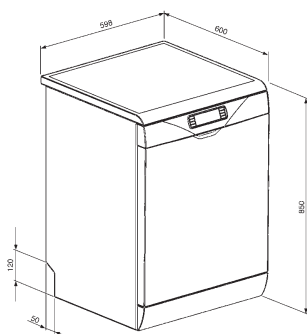


PROGRAMMES & OPTIONS



12 place settings
5 programmes: Soak, Normal, ECO, Rapid 27 mins, Super
5 temperatures (38°, 45°, 50°, 65°, 70°)
Consumption (based on 280 cycles):
Water: 3360 litres per annum
Energy: 289 kW/year
Noise level: 49 dB (A) RE 1 pW

Maximum plate diameter 30cm
Average wash time approximately 100 mins



DC122B-1

60CM DISHWASHER,
BLACK



DF4SS-1

45CM DISHWASHER WITH HIDDEN CONTROLS,
FULLY CLAD IN ST/STEEL



MODEL FEATURES



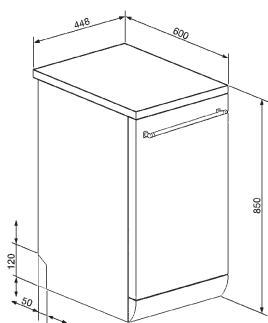
PROGRAMMES & OPTIONS



10 place settings
10 programmes: Soak, Rapid 27 mins, Crystal, Delicate Quick, ECO, ECO Quick, Auto 45-65, Normal Quick, Super, Strong & fast
4 temperatures (45° 55° 65° 70°)
Consumption (based on 280 cycles):
Water: 2660 litres per annum
Energy: 236 kWh/year
Noise level: 46 dB (A) RE 1 pW

Maximum plate diameter 30cm
Average wash time approximately 100 mins

Handle co-ordinates with other Classic style products



D4B-1

45CM DISHWASHER,
BLACK



MODEL FEATURES



PROGRAMMES & OPTIONS



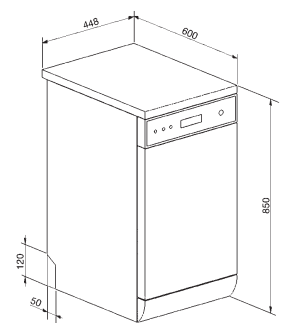
10 place settings
10 programmes: Soak, Rapid 27 mins, Crystal, Delicate Quick, ECO, ECO Quick, Auto 45-65, Normal Quick, Super, Strong & fast
5 temperatures (38° 45° 55° 65° 70°)
Consumption (based on 280 cycles):
Water: 2660 litres per annum
Energy: 236 kW/year
Noise level: 46 dB (A) RE 1 pW

Maximum plate diameter 30cm
Average wash time approximately 100 mins

Electronic display shows options selected, salt & rinse aid requirements, length of programme and time left to end of cycle



D4SS-1
fully clad in st/steel



D4SS-1
D4B-1



DF4SS-1

SMEG LAUNDRY, WASHING & DRYING EXPERTISE



Offering **excellent performance** and sought after style, the distinctive design of Smeg washing machines and washer dryers make them not simply appliances useful for doing the chores, but also inspirational pieces of kitchen furniture combining practicality with technology and grace.

LAUNDRY RANGE – OPTIMUM CHOICE

Smeg offer a wide choice of freestanding laundry products – from 50's Retro style washing machines, designed to coordinate with the iconic FAB refrigeration range, to stylish st/steel or white models.



50'S RETRO STYLE



STAINLESS STEEL



WHITE

Current EU energy labels have been designed for washing machines whereby pictograms highlight selected performances such as annual water and energy consumptions based on 220 cycles (an important change from previous washing machine energy labels which were shown per cycle), and noise level on washing & spinning phases. All machines are now rated **"A"** for **washing efficiency class** as a standard, therefore it is no longer required on the energy label. The energy label for Washer-dryers has not changed; showing performances per cycle.

UNIVERSAL FEATURES

All Smeg laundry products are built to a high standard and have been researched and developed over time to include a number of characteristics which are common to all models in our range, and these include

- stainless steel drum and polypropylene tank
- self clean detergent drawer
- extra large 300mm porthole
- automatic variable load
- total acquastop
- delay timer
- variable spin speed



Besides choosing the appropriate washing programme with the main programme control knob, the smaller buttons can be used to select the washing temperature, spin speed up to 1400 rpm, and check the option selector for such choices as FlexiTime, delay timer or extra rinse, amongst others. The LCD display shows the time and progression for the programme selected and recommended load indicates the optimal load weight for the chosen cycle to achieve the best washing results.

CHECK & COMPARE

To assist in the selection of the right laundry appliance a number of symbols now appear beneath each model, which act as an aid to checking and comparing the products on offer. Some examples are shown here, but details of the full range of symbols can be found at the back of the brochure.



The **FlexiTime** option allows the user to reduce the time of the cycle selected, providing extra control.



Night: an ideal programme for those who want to take advantage of off-peak energy periods, this cycle is particularly quiet due to slower rotations of the drum.



Super fast 15 min: a programme designed to wash small amounts of laundry fast, ideal for washing lightly soiled garments.



Jeans: a washing cycle which is kind to the colour and fabric of denim whilst minimising wrinkles.



A **cleaning programme** has been created to maintain the performance of washer/dryers. The display shows automatically when cleaning is required.



The **Extra rinse** option: can be added to the selected programme when more thorough cleansing of special fabrics is needed.

WMFABRO1

60CM FREESTANDING 50'S STYLE WASHING MACHINE, PINK



FEATURES



SPECIAL PROGRAMMES



Electronic display includes 24h delay timer and **recommended load**
 7 buttons: start/pause, child lock, delay timer, option selector, confirmation selector, spin speed, and temperature selector
 Electronic display shows programme selected and progression
 15 washing programmes
 Customised options; variable temperature, spin speed up to 1400 rpm and option selector including **FlexiTime**
Max 7kg of dry laundry

Consumption (220 cycles)
 Water: 10340 litres/ per annum
 Energy: 222kWh / per annum
 Noise level washing phase 59 dB(A) re 1 pW
 Noise level spinning phase 78 dB(A) re 1 pW
 Nominal power: 2.00kW
 Energy efficiency class: A+
 Spin drying performance: B

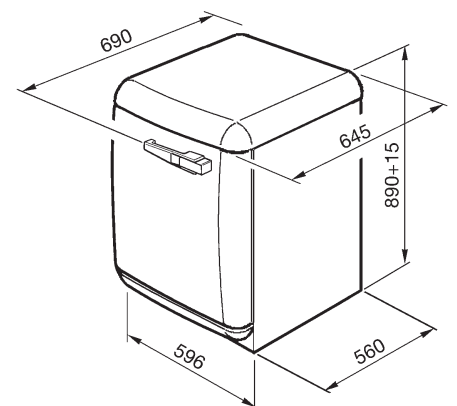
Retro fires, refrigeration and dishwashers are also available



WMFABAZ1
pastel blue

WMFABP1
cream

WMFABNE1
black



NB: This washing machine will not fit under a standard work top. Please check measurements carefully.



WMFABP1

WMF147X

60CM FREESTANDING WASHING MACHINE,
STAINLESS STEEL



FEATURES



SPECIAL PROGRAMMES



Electronic display includes 24h delay timer and **recommended load**
6 buttons: start/pause, child lock, option selector, confirmation
selector, spin speed, and temperature selector
Electronic display shows programme selected and progression
15 washing programmes
Customised options; variable temperature, spin speed up to
1400 rpm and option selector including **FlexiTime**
Max 7kg of dry laundry

Consumption (220 cycles)
Water: 10340 litres/ per annum
Energy: 222kWh / per annum
Noise level washing phase: 59dB (A) re 1 pW
Noise level spinning phase: 75dB (A) re 1 pW
Nominal power: 2.00kW
Energy efficiency class: A+
Spin drying performance: B

WDF147XS

60CM FREESTANDING WASHER DRYER,
STAINLESS STEEL



FEATURES

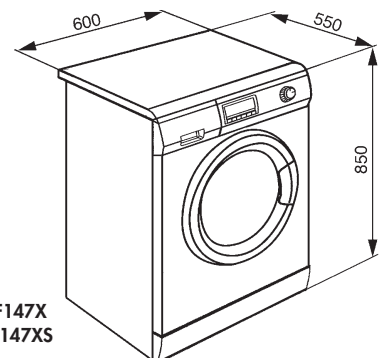


SPECIAL PROGRAMMES



Electronic display includes 24h delay timer and **recommended load**
6 buttons: start/pause, drying, option selector, confirmation selector,
spin speed, and temperature selector
Electronic display shows programme selected and progression
15 washing programmes
Customised options; variable temperature, spin speed up to
1400 rpm and option selector including **FlexiTime**
6 automatic drying programmes
Humidity sensor that automatically calculates dry time
Clean programme
Max washing capacity: 7kg
Max drying capacity: 4kg

Consumption (per cycle):
For washing only: water: 47 litres, energy: 1.19kW/h
For complete 7Kg wash + 2 sessions of 4Kg drying: Water 99
litres, energy: 4.76kW/h
Nominal power: 2.00kW
Energy efficiency class: A
Washing performance: A



WMF147X
WDF147XS

WMF147

FREE-STANDING WASHING MACHINE,
WHITE



FEATURES



SPECIAL PROGRAMMES



Electronic display includes 24h delay timer and **recommended load**
6 Buttons: Start/pause, child lock, confirm options, option selector, spin speed, temperature selection
Electronic display shows programme selected and progression
15 washing programmes
Customised options; variable temperature, spin speed up to 1400rpm and option selector including **FlexiTime**
Max 7Kg of dry laundry

Consumption (220 cycles)
Water: 10340 litres/ per annum
Energy: 222kWh / per annum
Noise level washing phase: 59 dB(A) 1 re pW
Noise level spinning phase: 75 dB(A) 1 re pW
Nominal power: 2.00kW
Energy efficiency class: A+
Spin drying performance: B

WDF147S

FREE-STANDING WASHER-DRYER,
WHITE



FEATURES

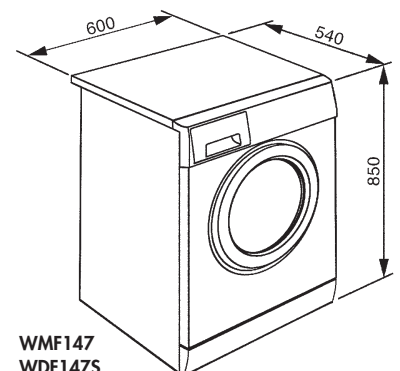


SPECIAL PROGRAMMES



Electronic display includes 24h delay timer and **recommended load**
6 Buttons: Start/pause, drying, confirm options, options selector, spin speed, temperature selector
Electronic display shows programme selected and progression
15 wash programmes
Customised options; variable temperature, spin speed up to 1400rpm and option selector including **FlexiTime**
6 automatic drying programmes
Humidity sensor that automatically calculates dry time
Clean programme
Max washing capacity: 7kg
Max drying capacity: 4kg

Consumption (per cycle):
For washing only: water: 47 litres, energy: 1.19kW/h
For complete 7Kg wash + 2 sessions of 4kg drying: water: 99 litres, energy: 4.76kW/h
Nominal power: 2.00 kW
Energy efficiency class: A
Washing performance: A



WMF147
WDF147S

FREESTANDING DISHWASHERS

60cm models	DF13SS	DC134	DC122	DF6FAB1	DF6FAB2
Type & Colour					
Fully clad st/steel	•				
Door st/steel		DC134LSS	DC122SS-1		
Black		DC134LB	DC122B-1		
White		DC134LW	DC122W-1		
Coloured Retro				•	•
Technical data					
International place settings	13	13	12	13	13
Noise level dB(A) re 1pW	39	43	49	42	42
Energy efficiency rating	A+++	A+	A+	A++	A+
Drying performance	A	A	A	A	A
EN50242 test programme	Eco	Eco	Eco	Eco	Eco
Nominal power (kW)	1.9	1.9	1.9	1.9	1.9
Water consumption (litres per annum)	2520	2744	3360	2800	2744
Energy consumption (kW/year)	230	292	286	258	292
Features					
Aquastop	Total	Total	Partial	Total	Total
Condenser drying	•	•	•	•	•
Concealed heating element	•	•	•	•	•
Adjustable water softener	•	•	•	•	•
FlexiDuo	•	•			•
Adjustable lower basket	Total	Total		2 Racks	2 Racks
Automatic adjustable upper basket	3 Levels	3 Levels		3 Levels	3 Levels
Manual upper basket			2 levels		
Easyglide baskets	•	•		•	•
Self balancing door hinges	•	•	•	•	•
St/steel filter	•	•	•	•	•
Delay timer	1-24h	1-24h	3,6,9,12h	1-9h	1-9h

45cm models	DF4SS-1	D4
Type & Colour		
Fully clad st/steel	•	D4SS-1
Black		D4B-1
Technical data		
International place settings	10	10
Noise level dB(A) re 1pW	46	46
Energy efficiency rating	A+	A+
Drying performance	A	A
EN50242 test programme	Eco	Eco
Nominal power (kW)	1.9	1.9
Water consumption (litres per annum)	2600	2600
Energy consumption (kW/year)	236	236
Features		
Aquastop	Total	Total
Condenser drying	•	
Concealed heating element	•	•
Adjustable water softener	•	•
Adjustable lower basket	•	•
Automatic adjustable upper basket	3 levels	3 levels
Grey baskets	•	•
Self balancing door hinges	•	•
St/steel filter	•	•
Delay timer	24h	24h

Quality, Environmental and Occupational Health & Safety Management Systems

All Smeg factories are ISO9001, ISO14001 and OHSAS 18001 certified, ensuring that the highest standards of quality are continually maintained whilst actively responding to all environmental issues relating to manufacture. The materials and components used to produce smeg products undergo strict quality control testing, and care is taken to source recyclable materials wherever possible. These management systems enable Smeg to provide complete assurance that all products meet superior standards whilst respecting the environment. The workforce is not forgotten – the occupational health and safety assessment scheme promotes a safe and healthy working environment, aids legislative compliance and helps improve overall performance.



UNI EN ISO 9001



UNI EN ISO 14001



OHSAS 18001



This catalogue is printed entirely on FSC® (Forest Stewardship Council®) certified paper that has been produced with cellulose sourced from forests that are managed responsibly, in accordance with rigorous environmental, social, economic and cultural standards.
<http://www.fsc.org/>

Whereas every effort has been made to ensure that the information and images contained in our literature are correct at time of going to print, this brochure should not be regarded as an infallible guide to current specification, nor does it constitute an offer for sale of any particular product.

GENERAL



Product **energy rating**, measured from A+++ to D / G depending on the product family.



Finger-friendly stainless steel finish keeps stainless steel looking as good as new.



Child lock, some models are fitted with a device to lock the programme/cycle so it cannot be accidentally changed.

DISHWASHERS



Orbital wash system distributes water evenly throughout the 60cm dishwasher cavity, directing water with precision to ensure an excellent wash.



The **Swing Wash system** ensures optimum water distribution throughout 45cm dishwasher tanks to deliver excellent wash results.



The **FlexiDuo** 3rd cutlery basket allows you to arrange cutlery or small cups, ladles, or bulky utensils however you like: it consists of two separate and moveable modules.



The **auto programme** regulates the length of a cycle depending on the need for a pre-wash and the number of rinses required.



The **delay timer** can postpone the start of the programme by up to 24 hours.



The **rapid 27 mins quick programme** takes just 27 minutes to wash a load.



The **hyclean** option performs a final 10 minute rinse at a high temperature of 70°C eliminating virtually all bacteria.



Total acquastop is an electronic device which monitors water levels in the machine to detect leaks in the hose and switch off the water supply immediately if necessary.



The normal programme is suitable for normal degrees of dirt for everyday use.



Eco, this economic wash programme uses a low amount of water and energy in order to provide the most environmentally friendly cleaning option.



BLUE LIGHT Blue interior lights to illuminate the inside of the dishwasher.



The **1/2 load flexizone** allows you to wash a reduced load saving energy, water and time and there are no restrictions on where the items are placed.



Aquatest measures the clarity of the water during an auto programme, and automatically ensures the minimum consumption of water and energy.



At the end of the drying cycle the **Energysave** device slowly opens the door which ensures perfect drying.



The **quick time** option can reduce the length of the wash cycle up to 55%.



Flexitabs adjusts the wash cycle to give the best possible results regardless of the type of detergent used.



The **crystal cycle** is designed especially for delicate dishes with light dirt.



The **Strong & Fast** programme takes less than 1 hour to eliminate the most stubborn dirt and dried on residues.



The soak programme provides a rinse to prevent dirt from drying.



The super programme is suitable for removing stubborn dirt.



The symbols show the number of plate settings of the dishwasher.

LAUNDRY



The **FlexiTime** option allows the user to reduce the time of the cycle selected, providing extra flexibility and control.



Super fast 15 min: a programme designed to wash small amounts of laundry fast, ideal for washing lightly soiled garments.



A **cleaning programme** has been created to maintain the performance of washer/dryers. The display shows automatically when cleaning is required.



Drum has maximum capacity of **7kg of dry laundry**.



Delay timer, can be set to run the programme at a convenient time or to take advantage of off-peak energy periods.



Shirts, a cycle to wash shirts in a short time with the utmost care, using a delicate spin for easy ironing.



Hand wash, this specific programme for delicate fabrics uses slower rotations of the drum to ensure the utmost care for clothing.



Easy Iron, this is an option which can be selected to ensure the finished laundry is left with less creases to make ironing easier.



Night: an ideal programme for those who want to take advantage of off-peak energy periods, this cycle is particularly quiet due to slower rotations of the drum.



Jeans: a washing cycle which is kind to the colour and fabric of denim whilst minimising wrinkles.



The **Extra rinse** option: can be added to the selected programme when more thorough cleansing of special fabrics is needed.



LCD display, to show programmes, functions and options selected and the time to the end of the cycle.



Total acquastop, the product is built with 3 levels of anti-flood devices to ensure protection against water leakage.



Gym, a cycle designed for washing lightly soiled garments, ie sports wear, this is a fast wash which is also kind to fabrics.



Mixed fabrics, this cycle is designed for lightly soiled laundry in a mix of cottons and synthetics, or can be used just to refresh stored items.



Smeg (UK) Limited

3A Park Square, Milton Park, Abingdon, Oxon, OX14 4RN
Tel. 0844 5579907 - Fax 0844 5579337 - www.smeguk.com