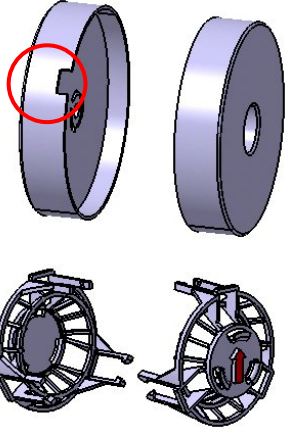
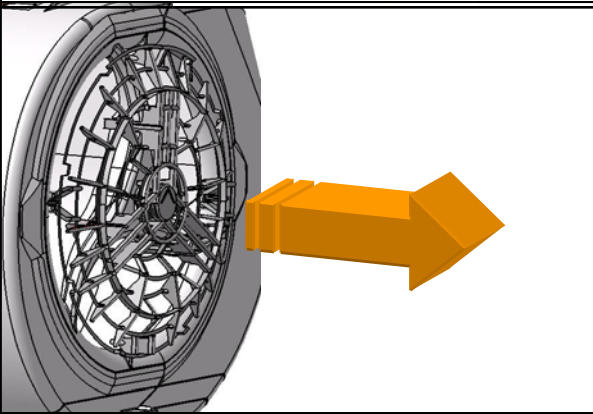


KIT FILTRI FLTK ASSEMBLING INSTRUCTIONS

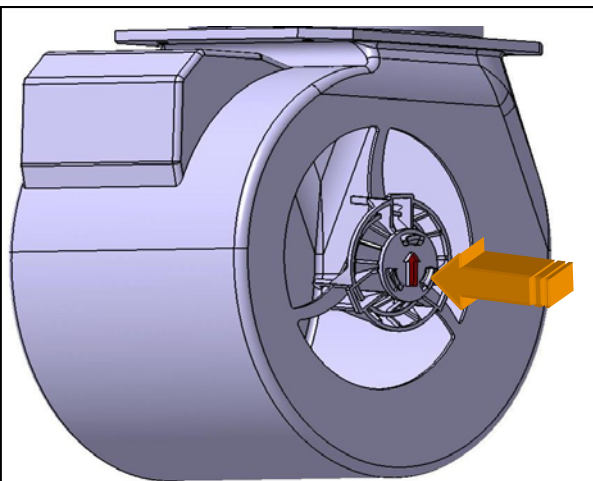
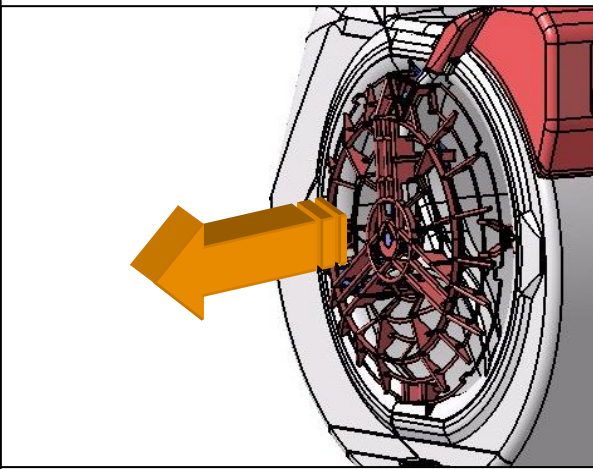
SLOT



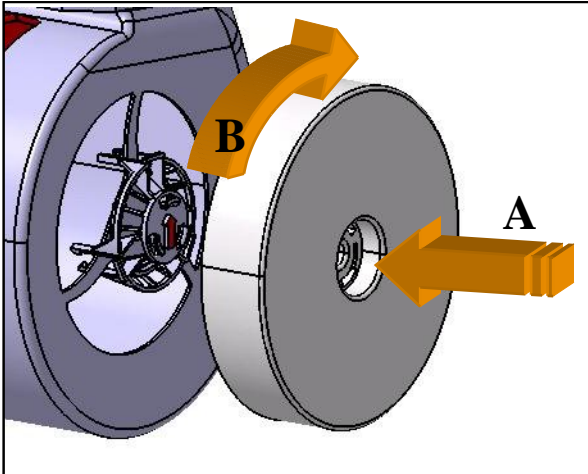
- The filter kit includes:
 - N°1 circular filter with slot to apply on the left side of the hood engine
 - N°1 circular filter without slot to apply on the right side of the hood engine
 - N°2 filter brackets



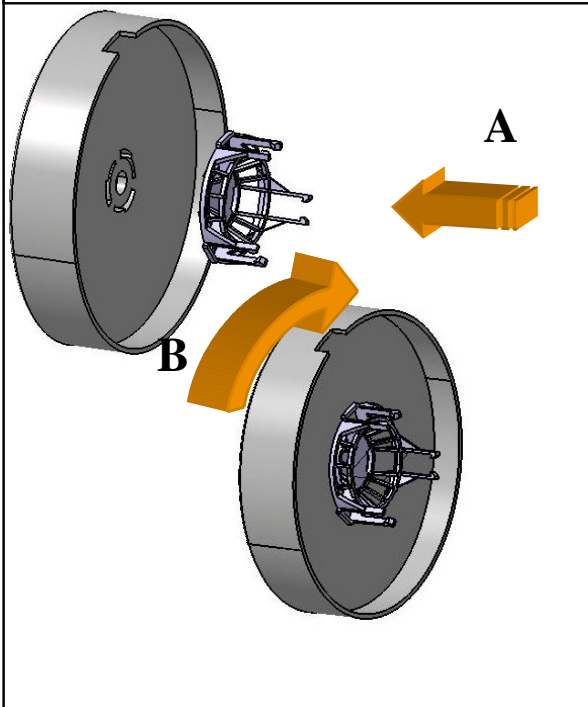
- Disconnect the hood from the electric current.
- Remove the grease filter (see the manual and maintenance).
- Remove protection grid from the hood engine



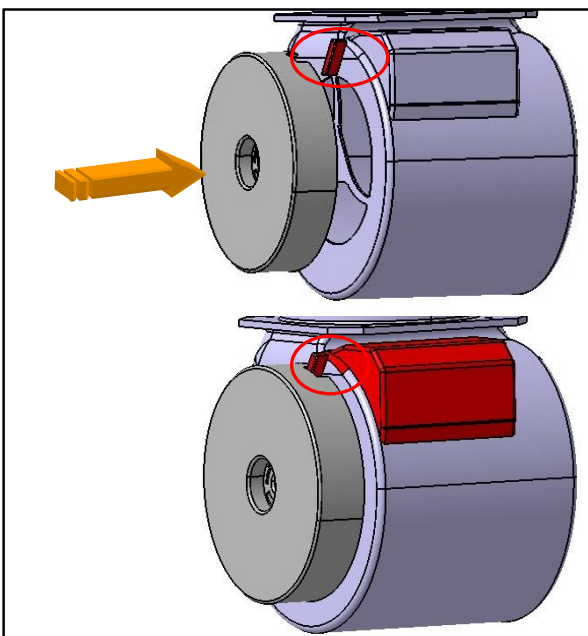
- Apply the filter bracket only on the right side of the hood engine, making sure that the arrow is facing towards top



- Take the filter kit (right side filter without slot) and close the engine bracket filter group.
- Insert filter (A) into the correct centring position of the filter support.
- Rotate filter (B) as shown.



- Take the filter kit (left side), and insert filter support into the correct centre filter (Fig. A) making sure that the arrow on the bracket is facing towards the slot
- Rotate filter on the bracket as shown in pict..B



- Close the kit on the left side of the hood motor. Apply the kit pressuring and making sure that the slot of the filter coincides with protrusion on the hood engine as shown in figure.