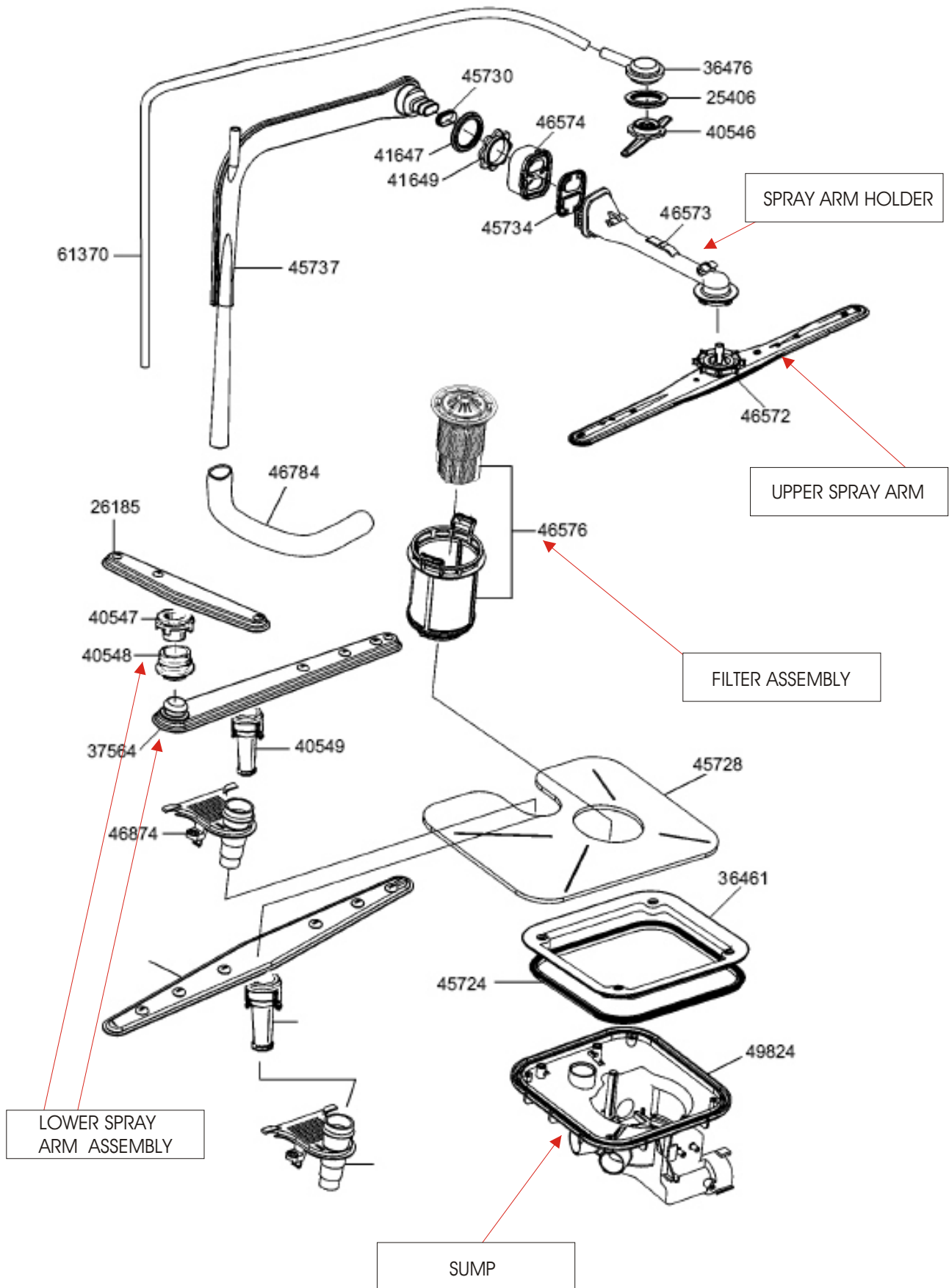
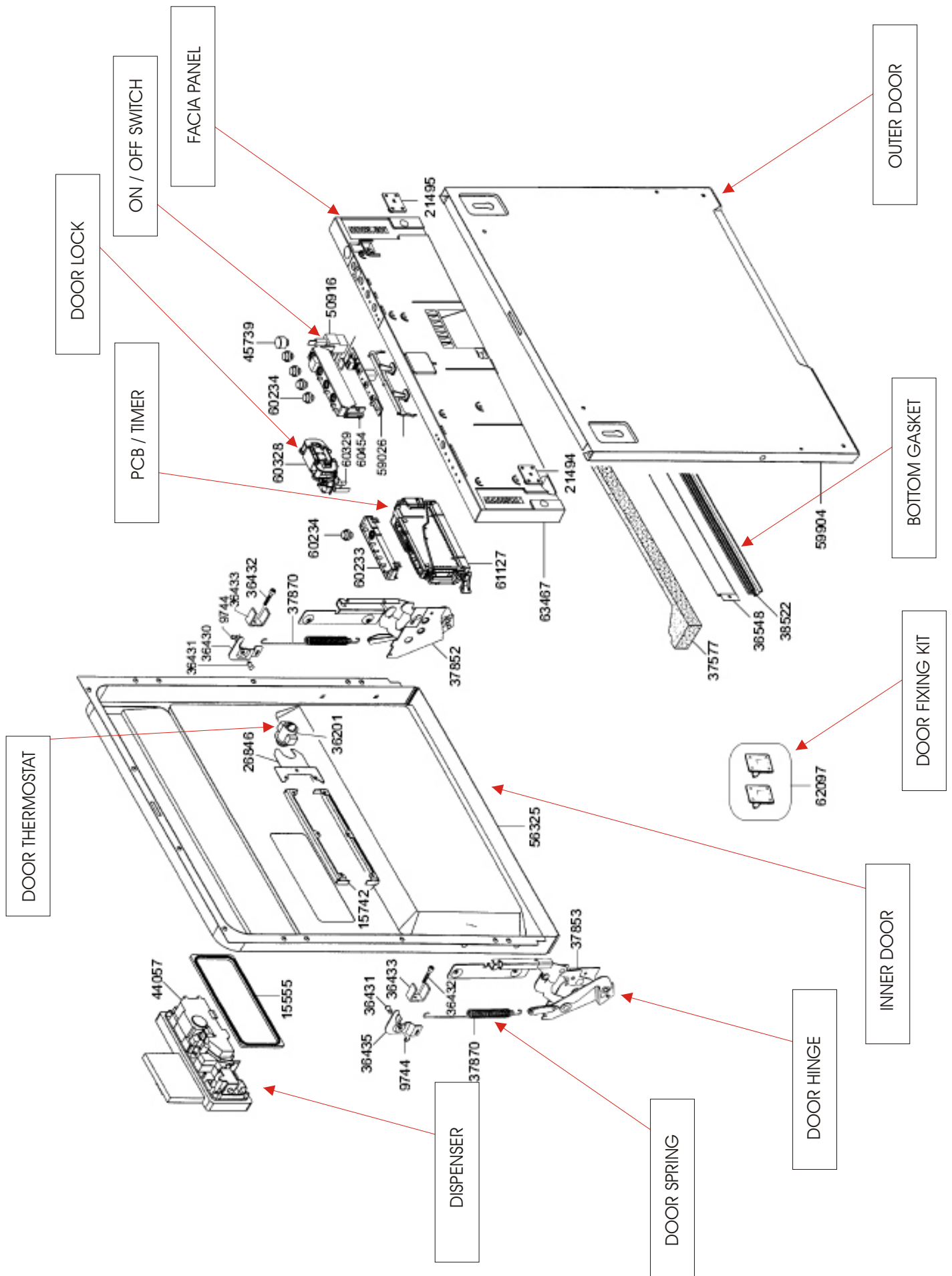


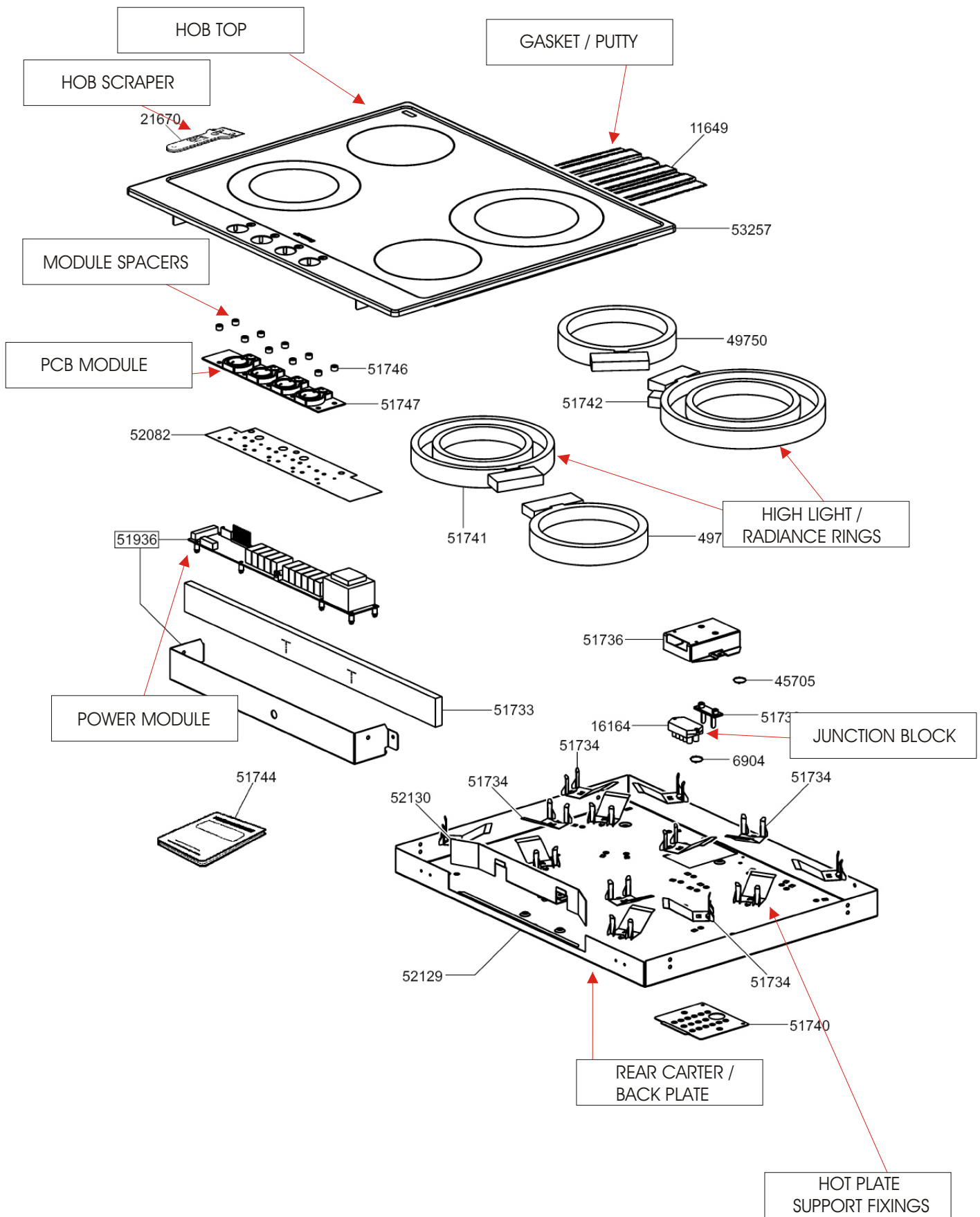
DISHWASHER - PART RECOGNITION GUIDE



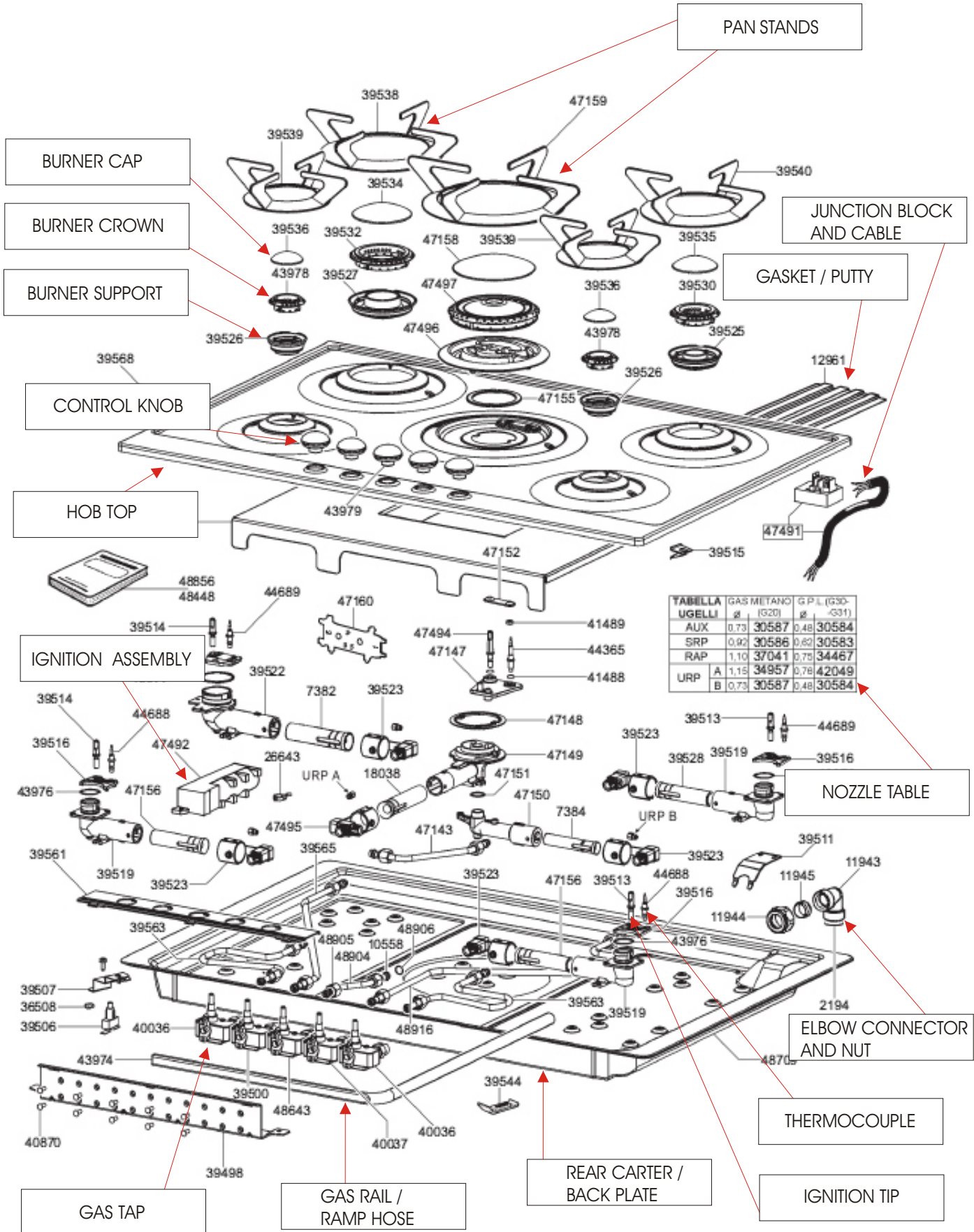
DISHWASHER - PART RECOGNITION GUIDE



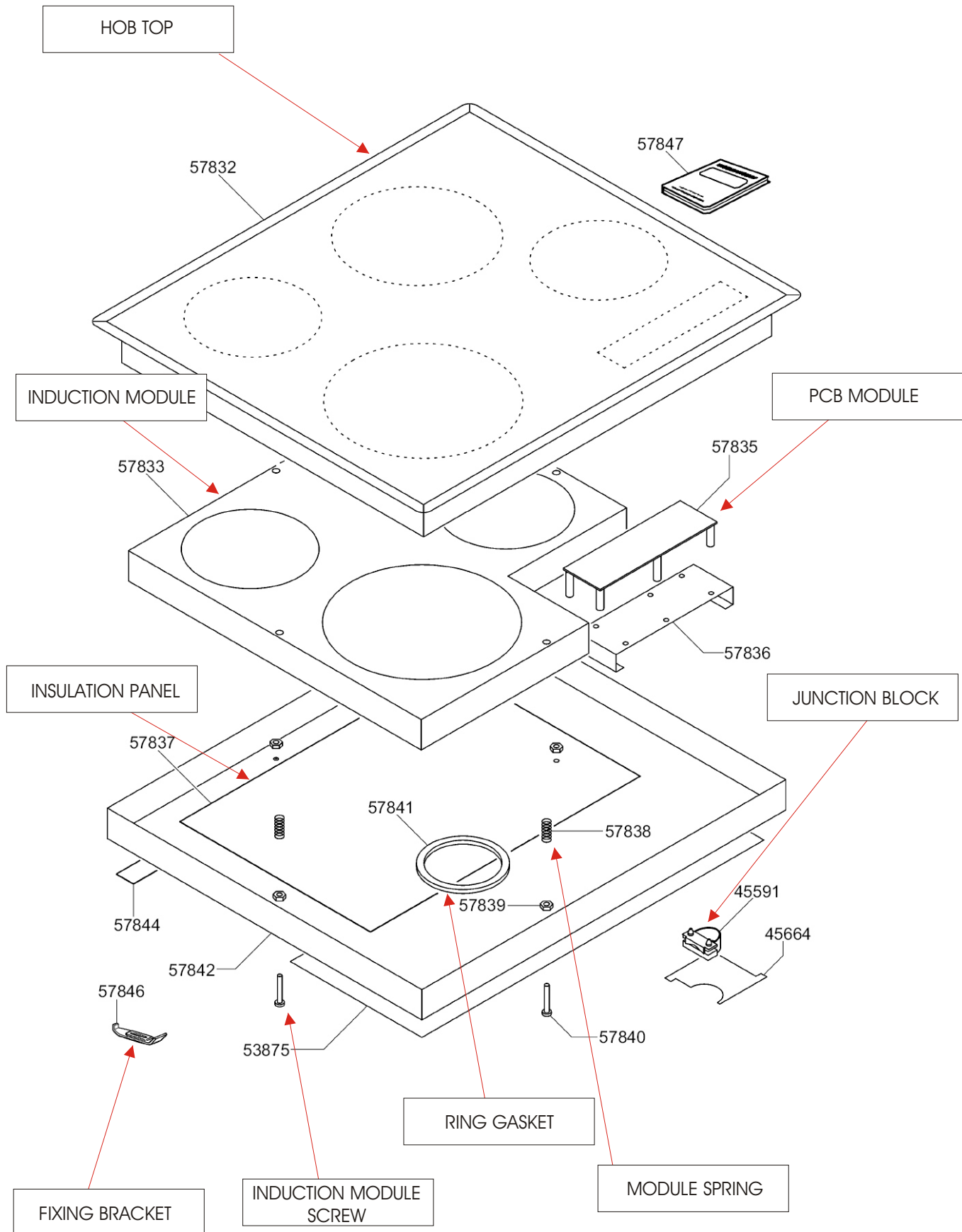
ELECTRIC HOB - PART RECOGNITION GUIDE



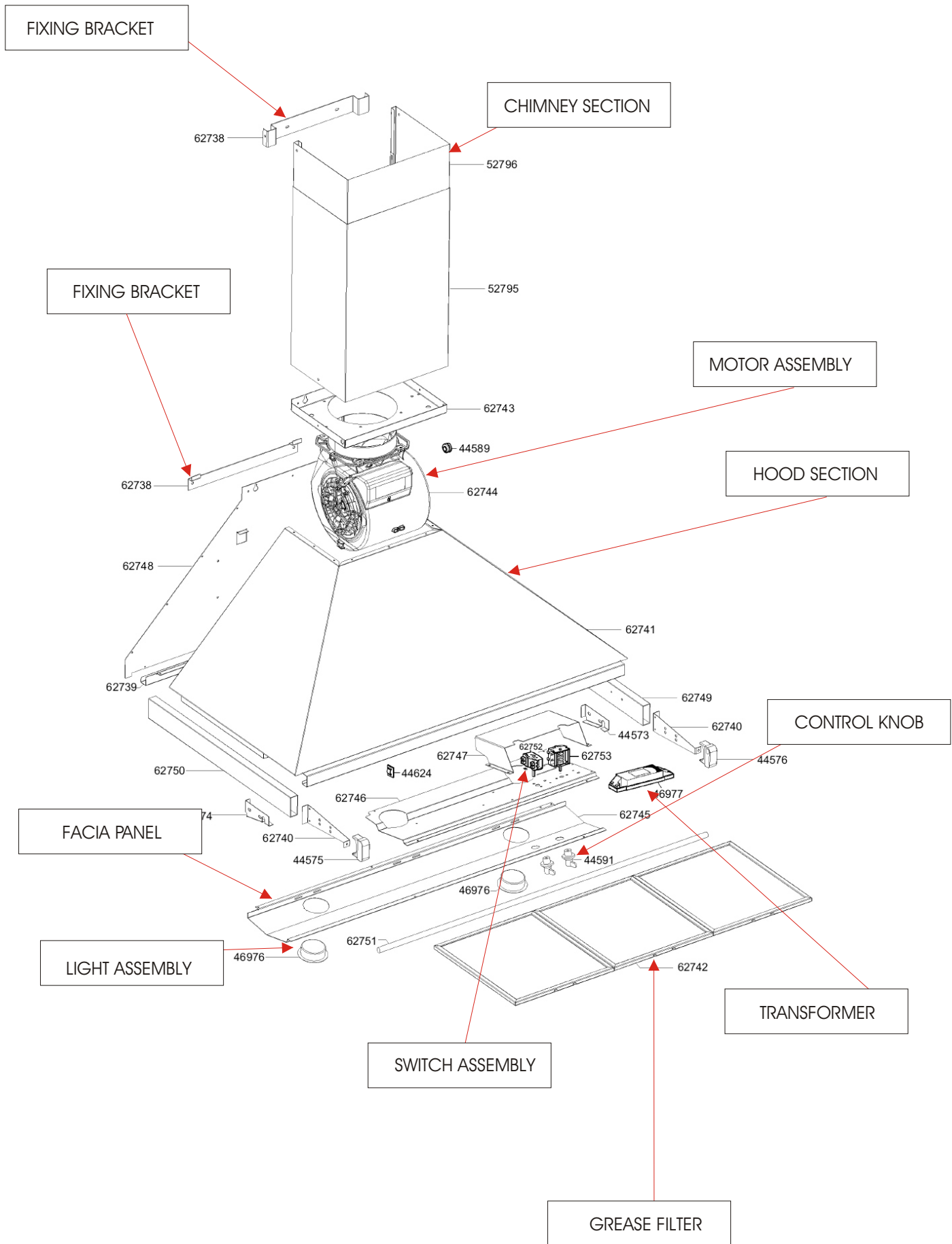
GAS HOB - PART RECOGNITION GUIDE



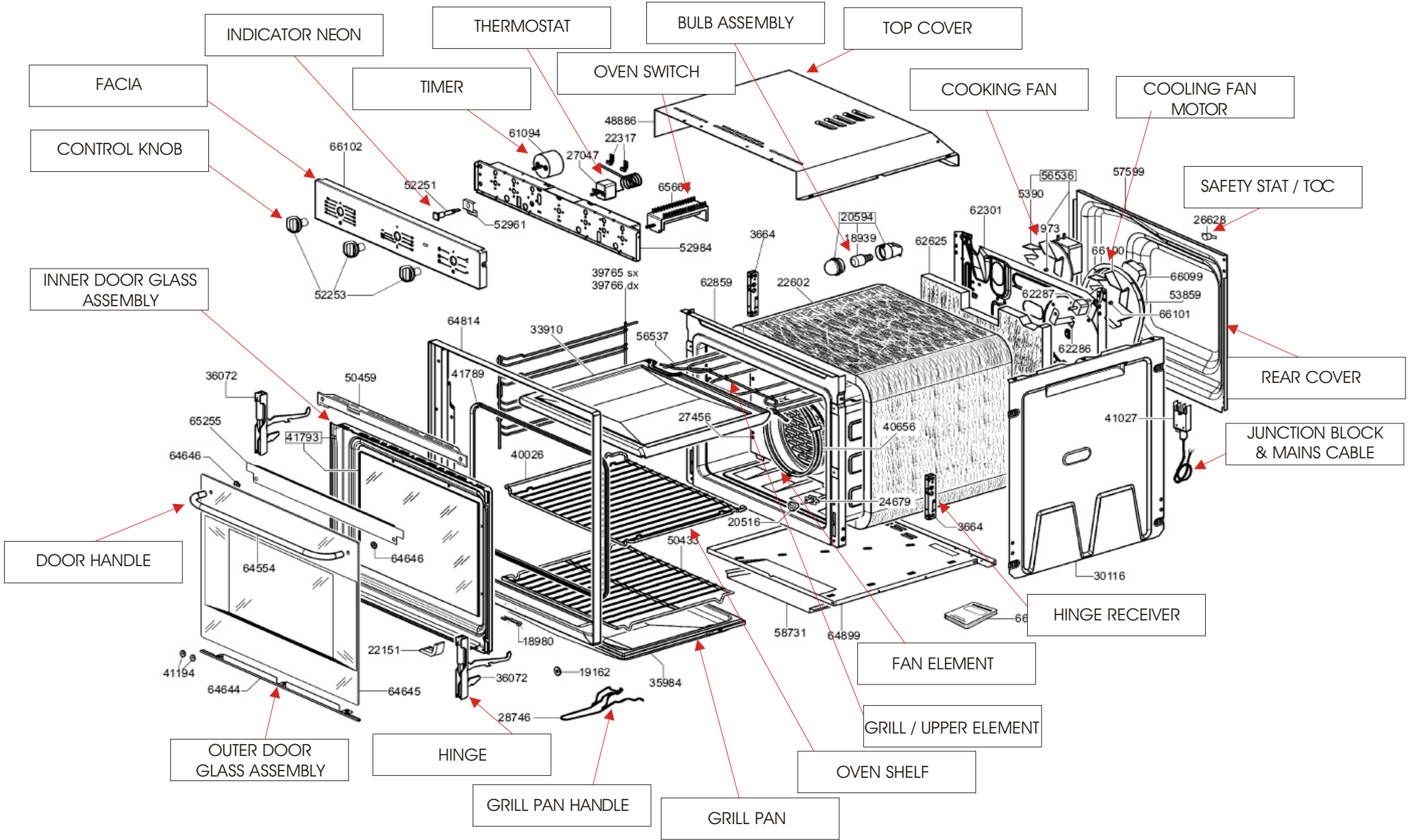
INDUCTION HOB - PART RECOGNITION GUIDE



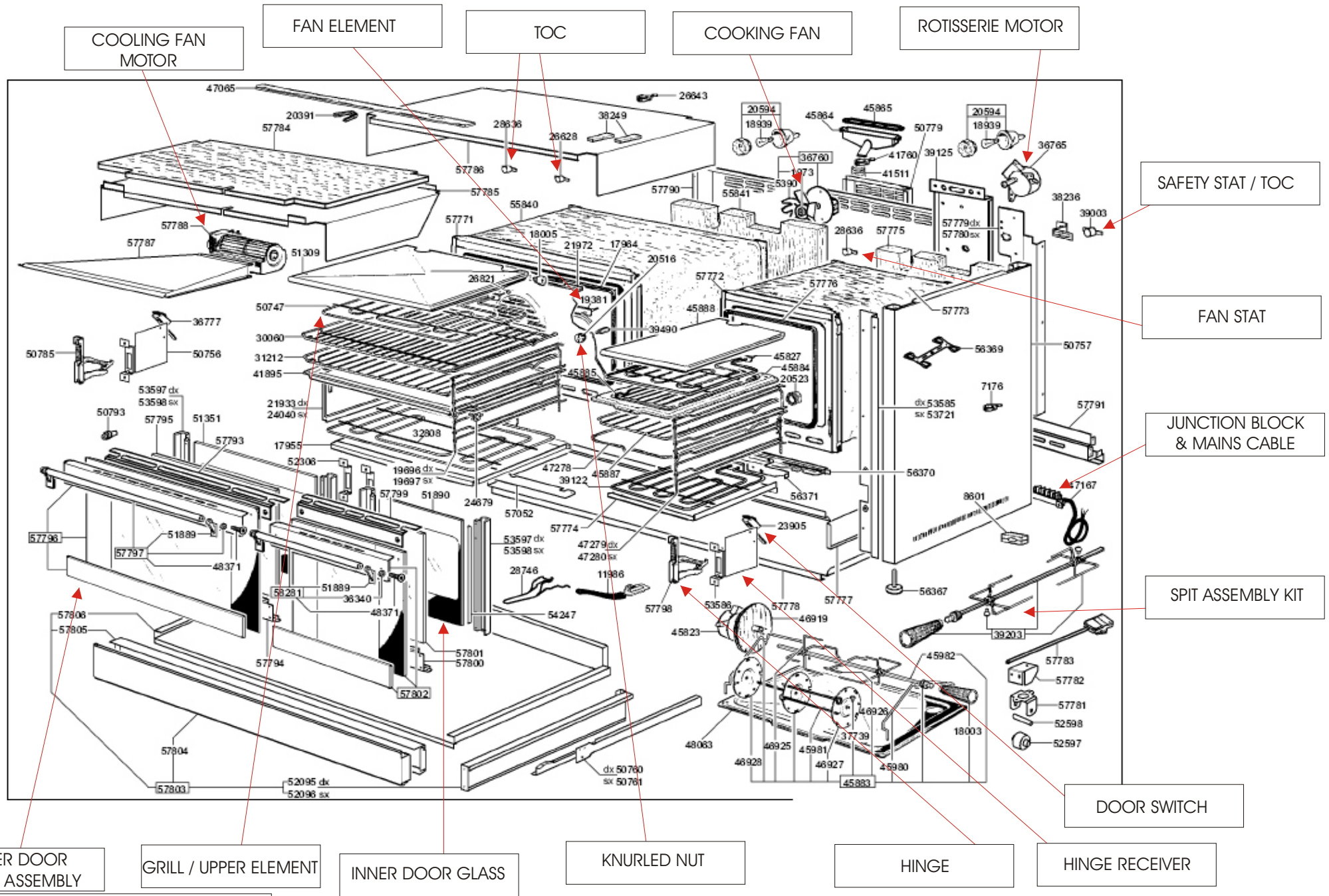
HOOD - PART RECOGNITION GUIDE



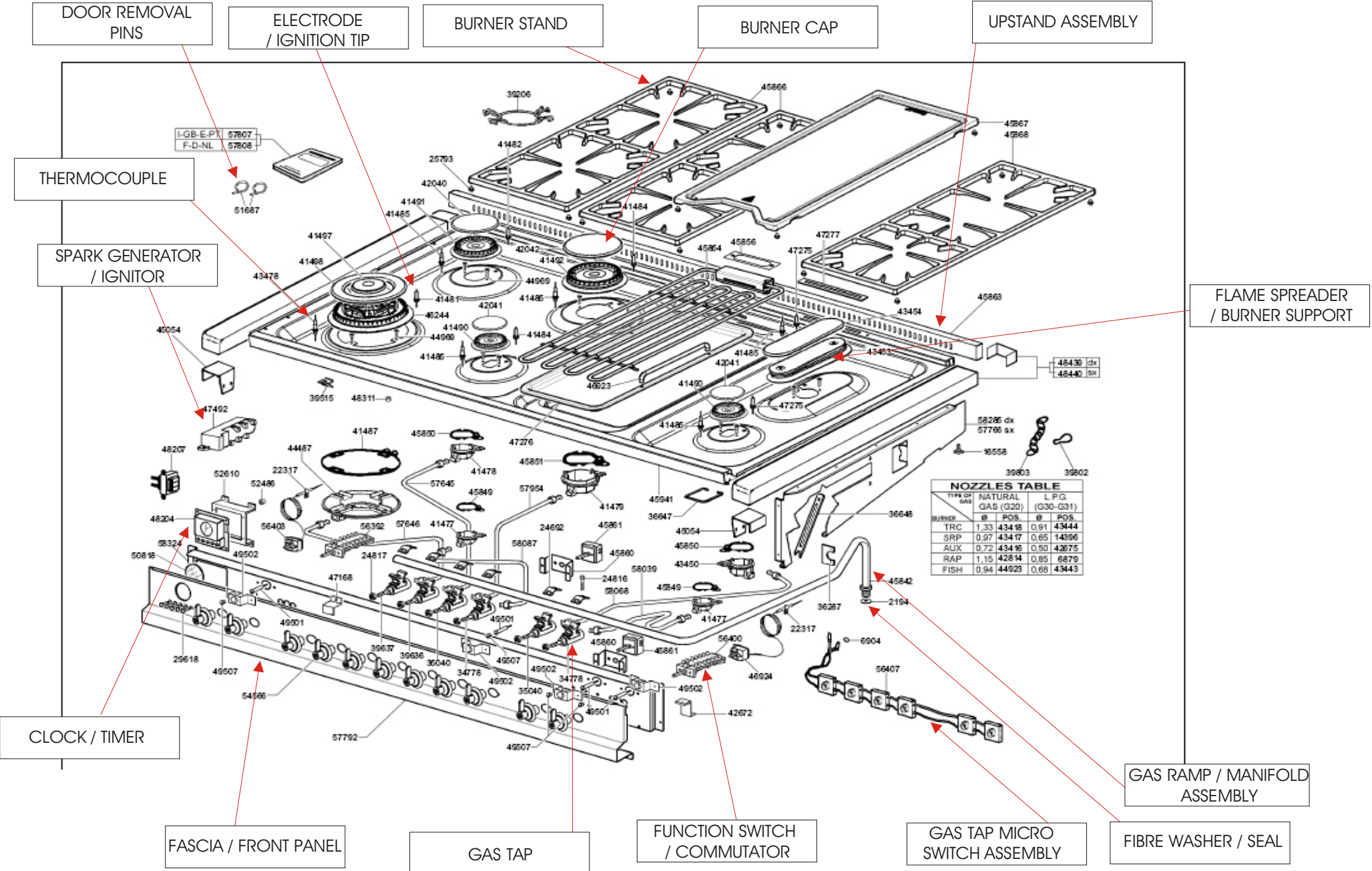
OVEN - PART RECOGNITION



RANGE COOKER PART RECOGNITION



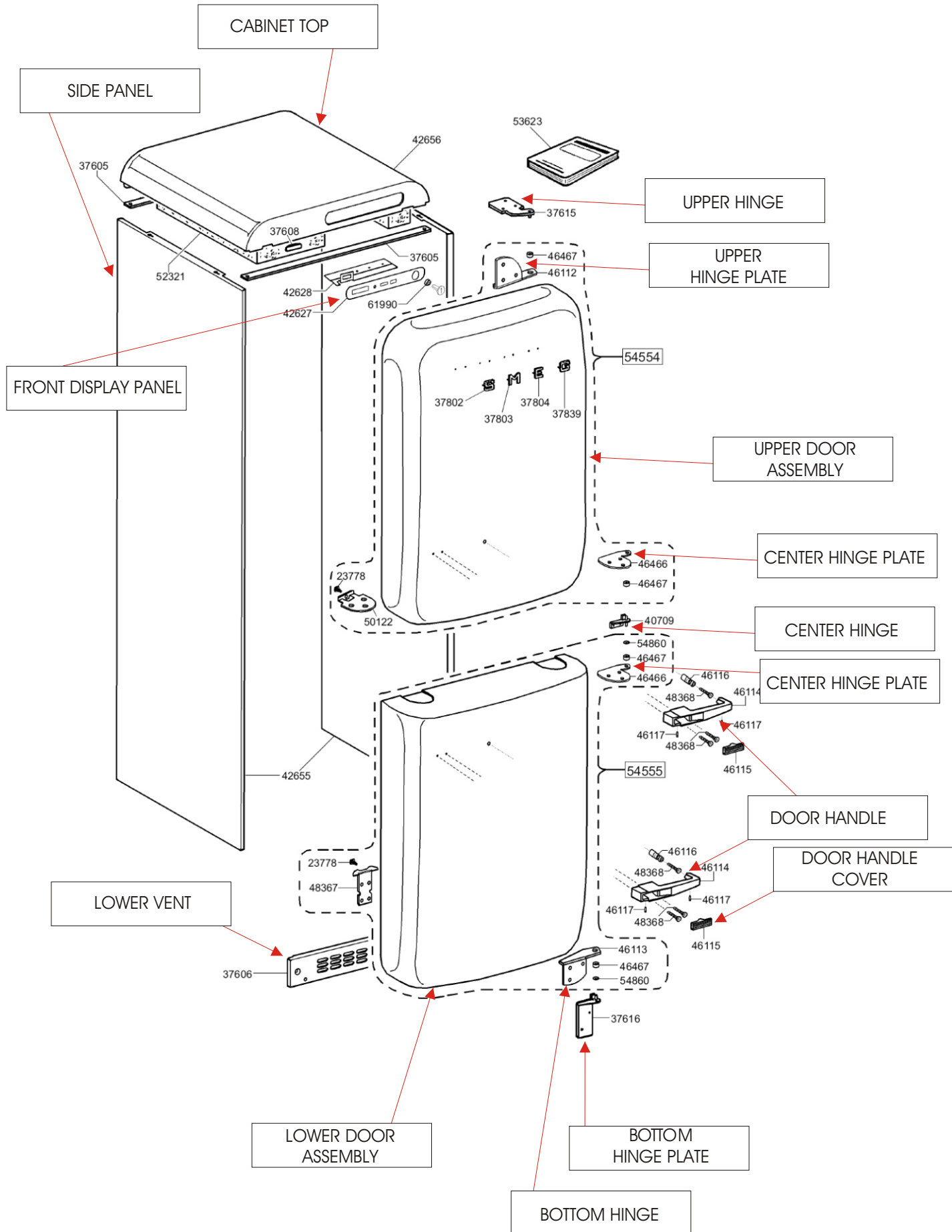
RANGE COOKER PART RECOGNITION



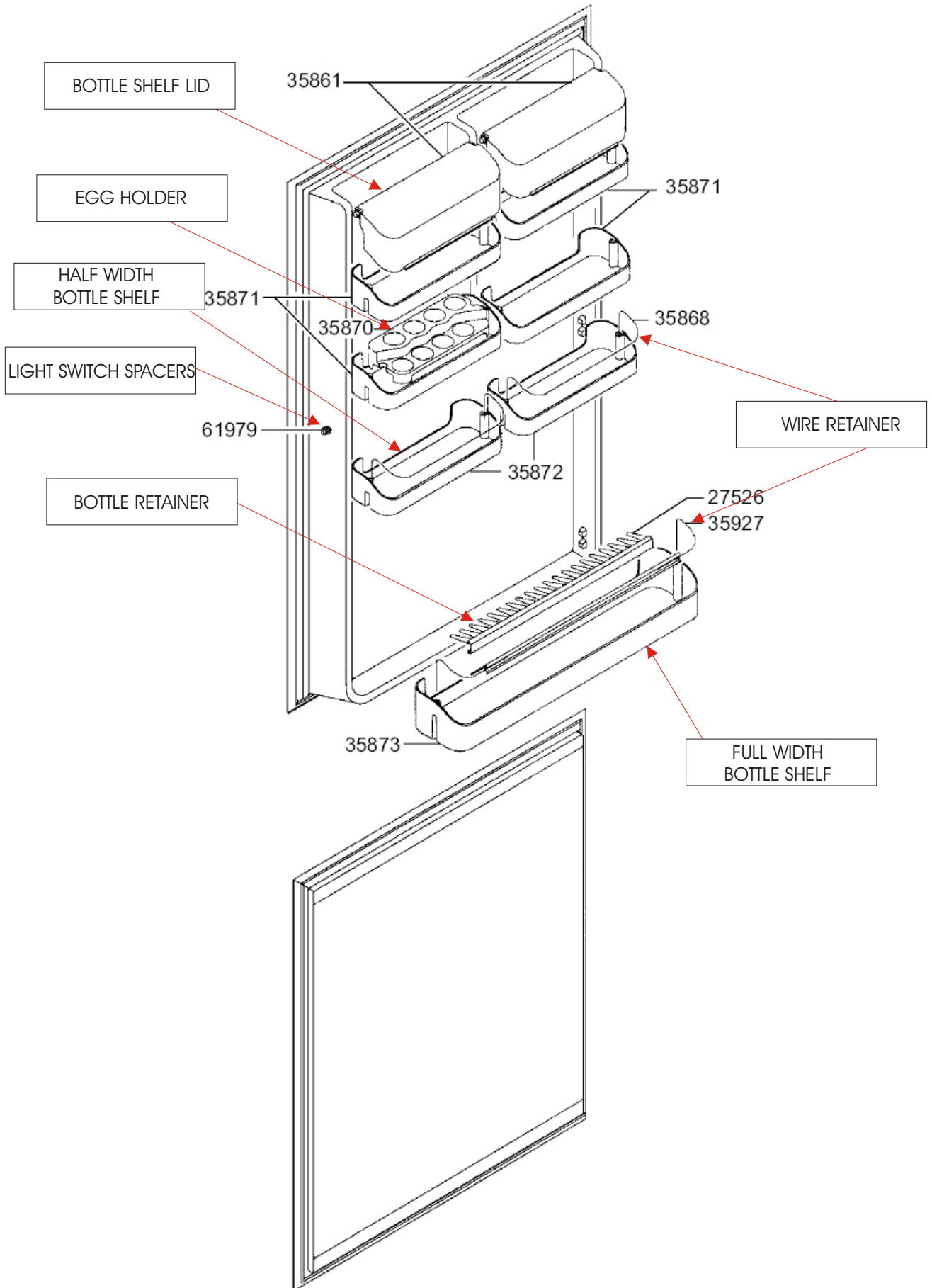
I.G.B.E.F. 57807
F.D.-NL 57808

BURNER	TYPE OF GAS	NATURAL GAS (G20)		L.P.G. (G30-G31)	
		Ø	POS.	Ø	POS.
TRC	1,33	43418	0,81	43444	
SRP	0,97	43417	0,65	14366	
AUX	0,72	43416	0,50	42675	
RAP	1,15	42814	0,85	6879	
FISH	0,94	44923	0,60	43443	

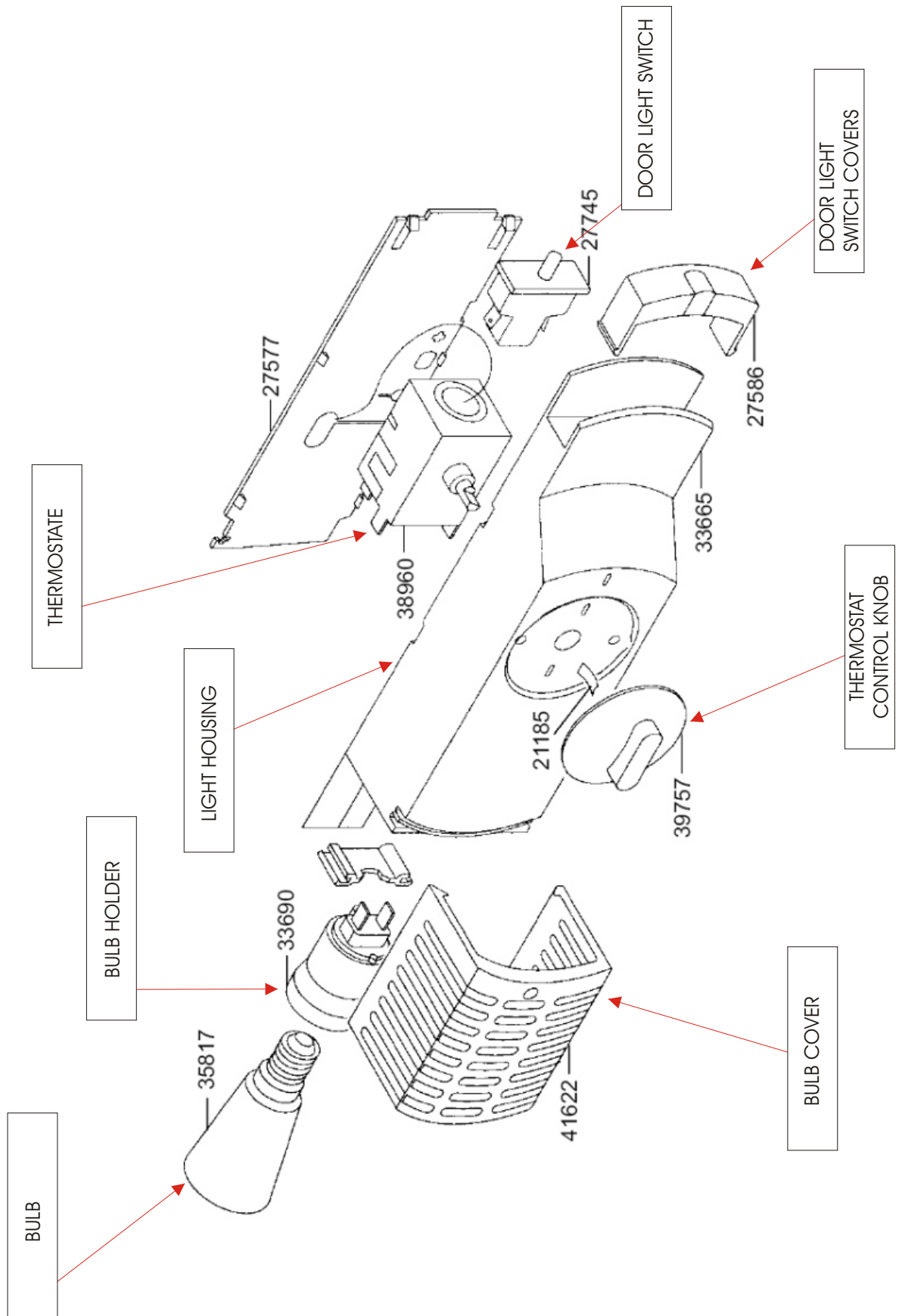
FAB FRIDGE - PART RECOGNITION GUIDE



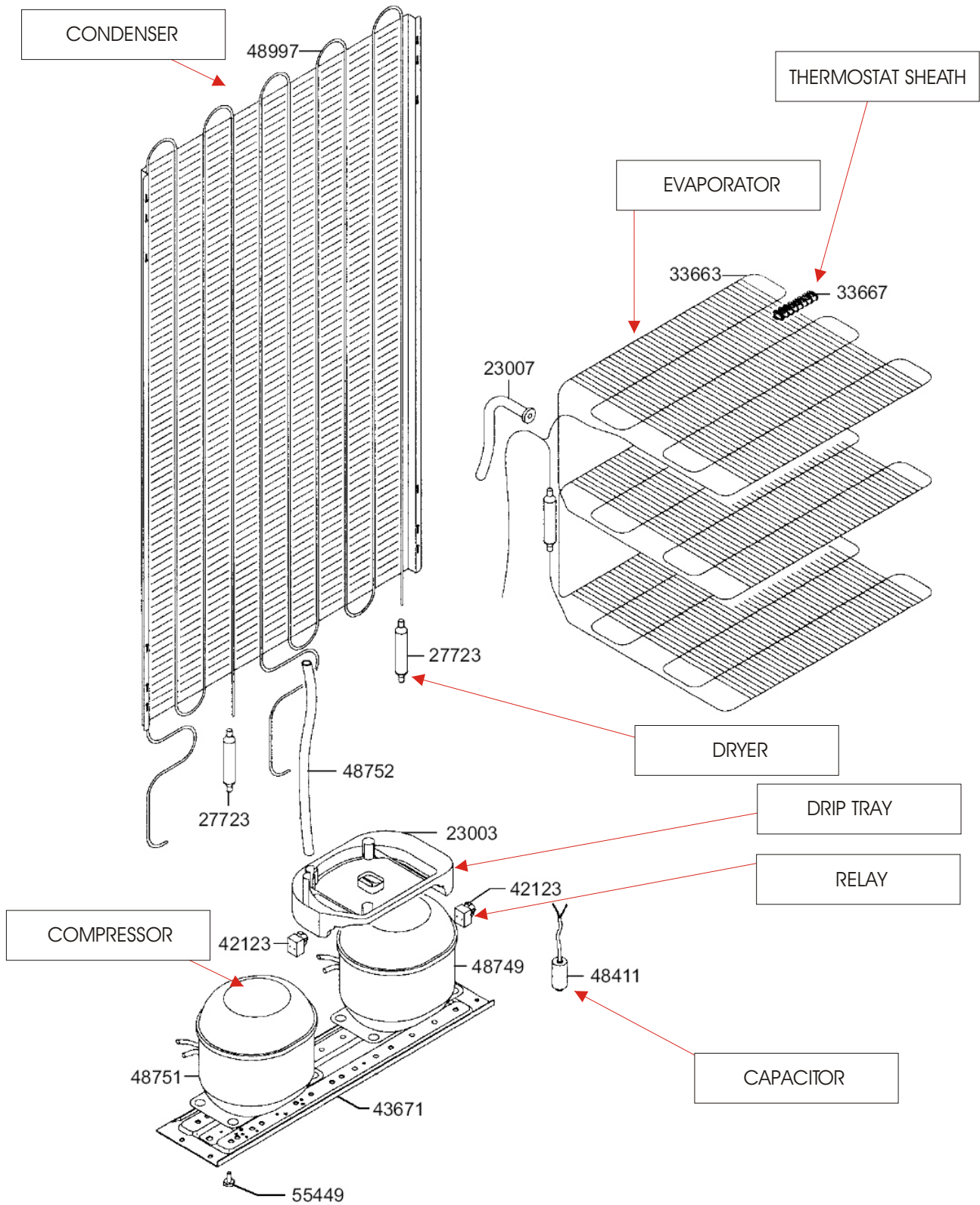
FAB FRIDGE - PART RECOGNITION GUIDE



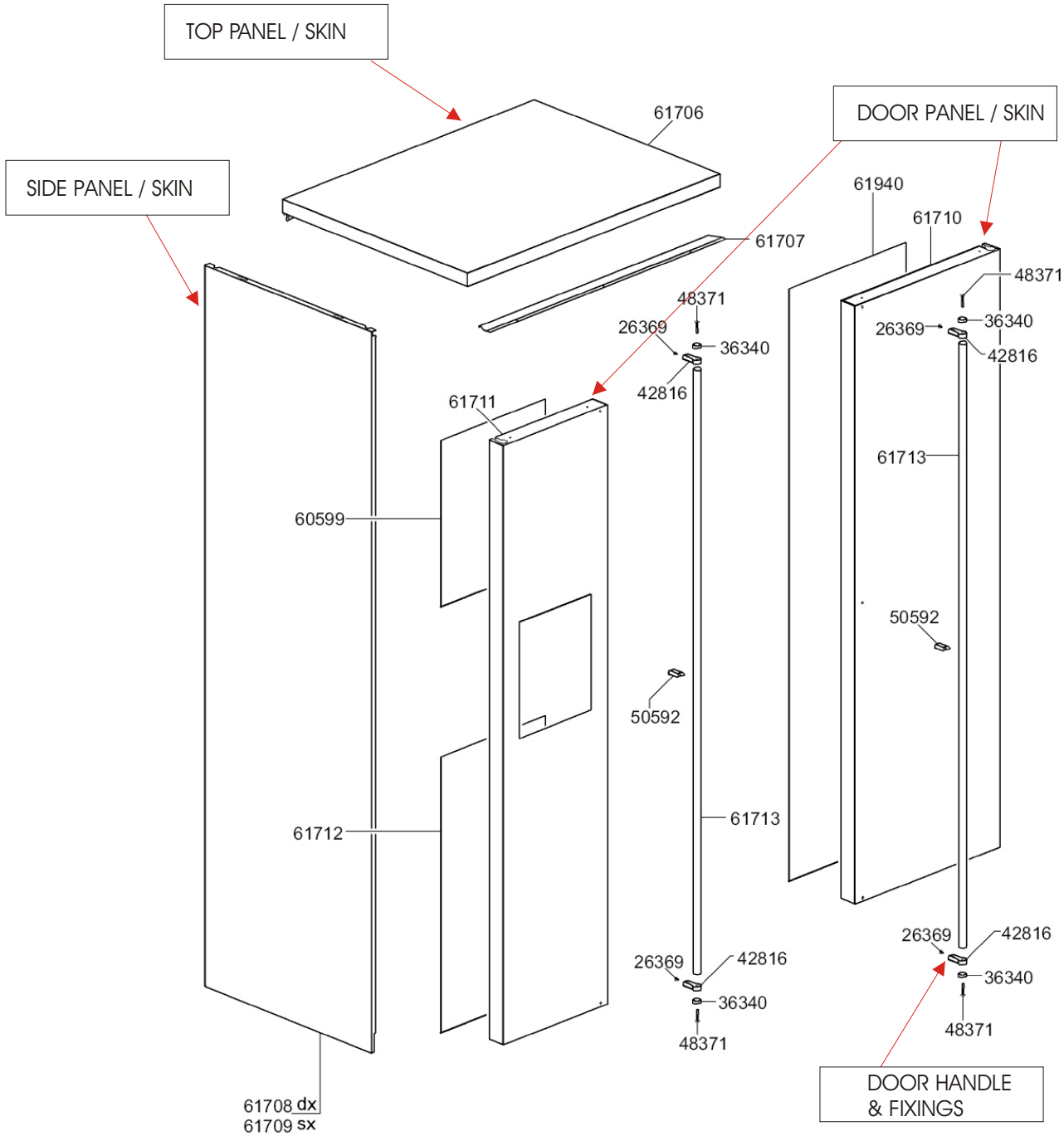
FAB FRIDGE - PART RECOGNITION GUIDE



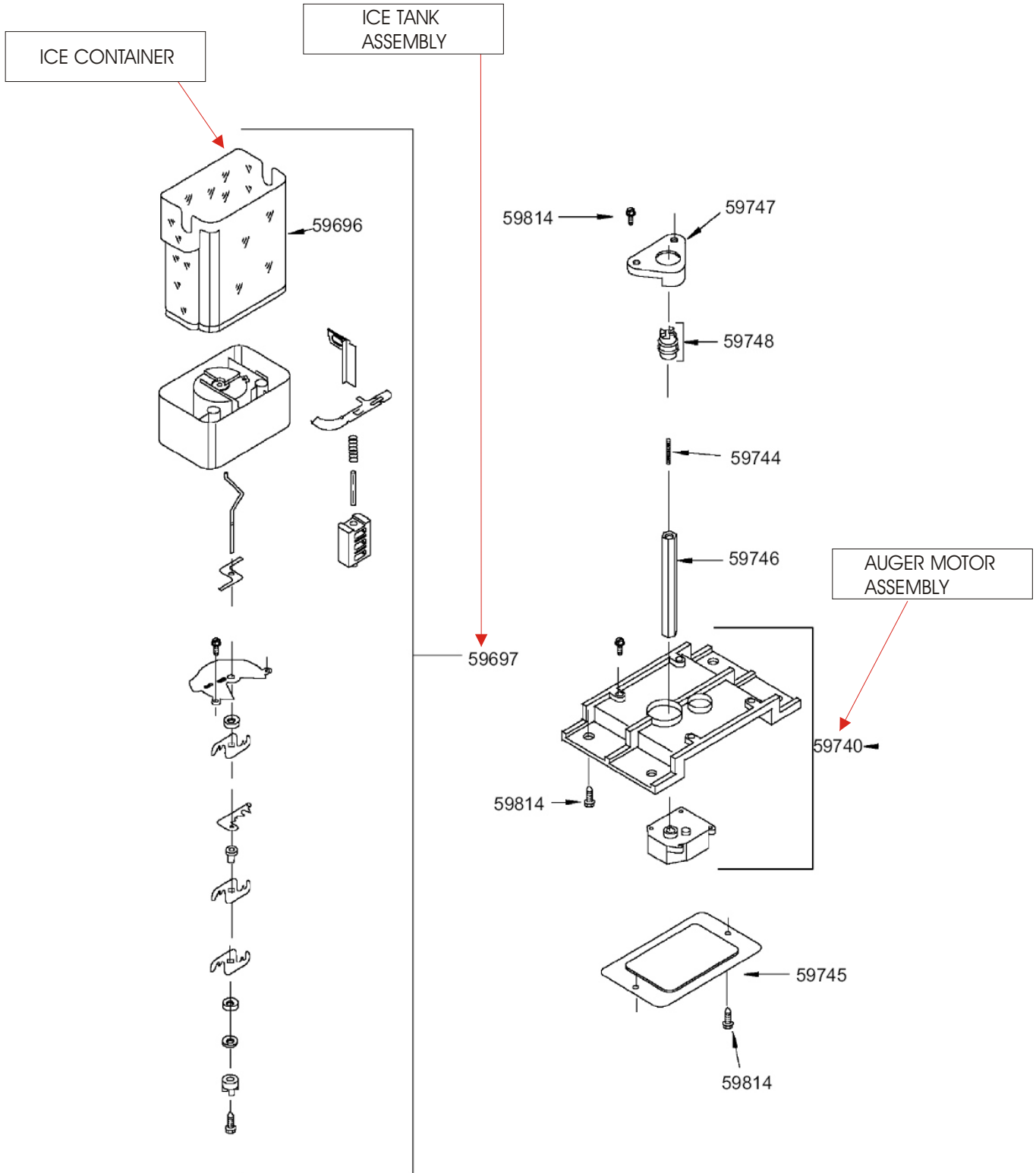
FAB FRIDGE - PART RECOGNITION GUIDE



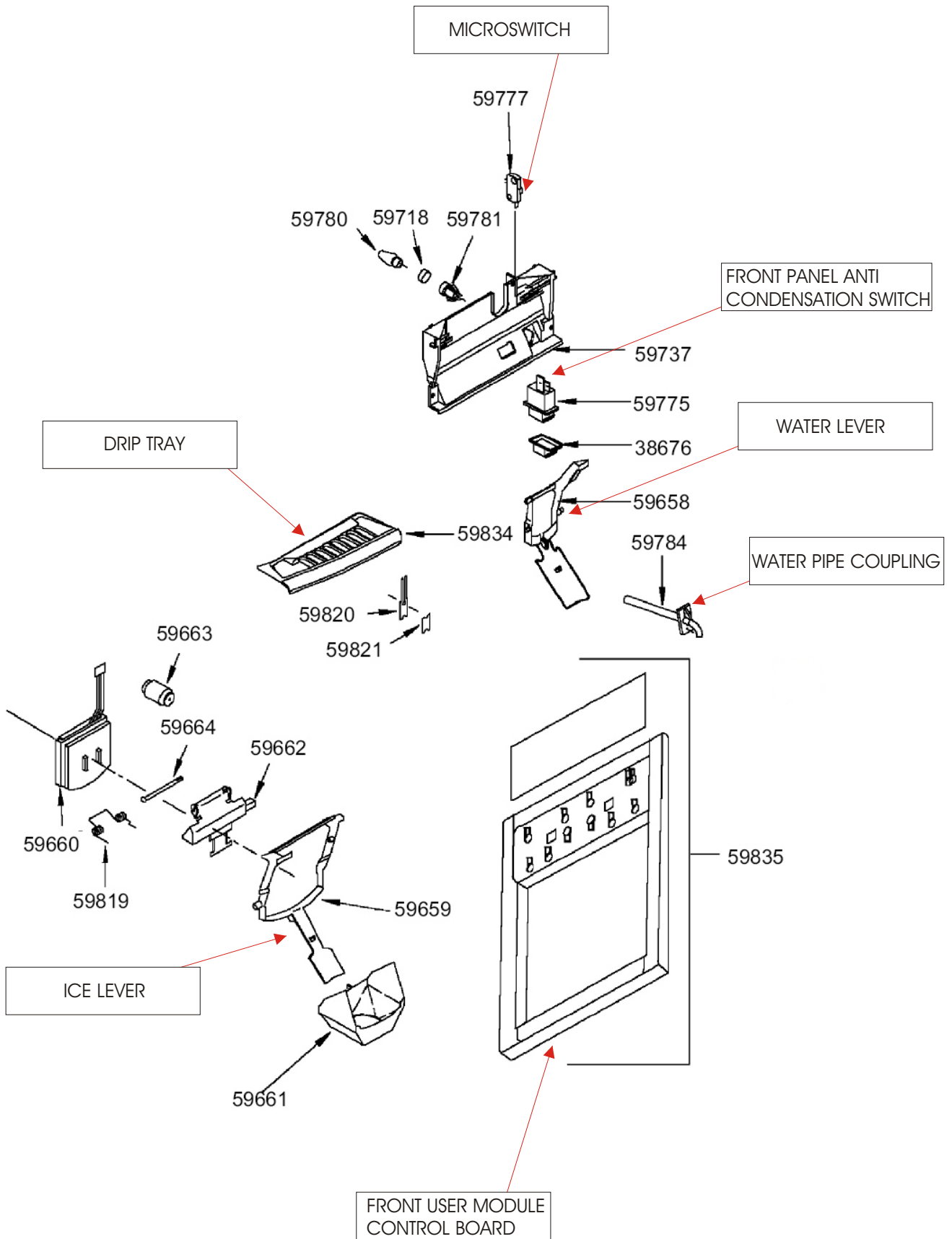
SIDE BY SIDE FRIDGE FREEZER - PART RECOGNITION GUIDE



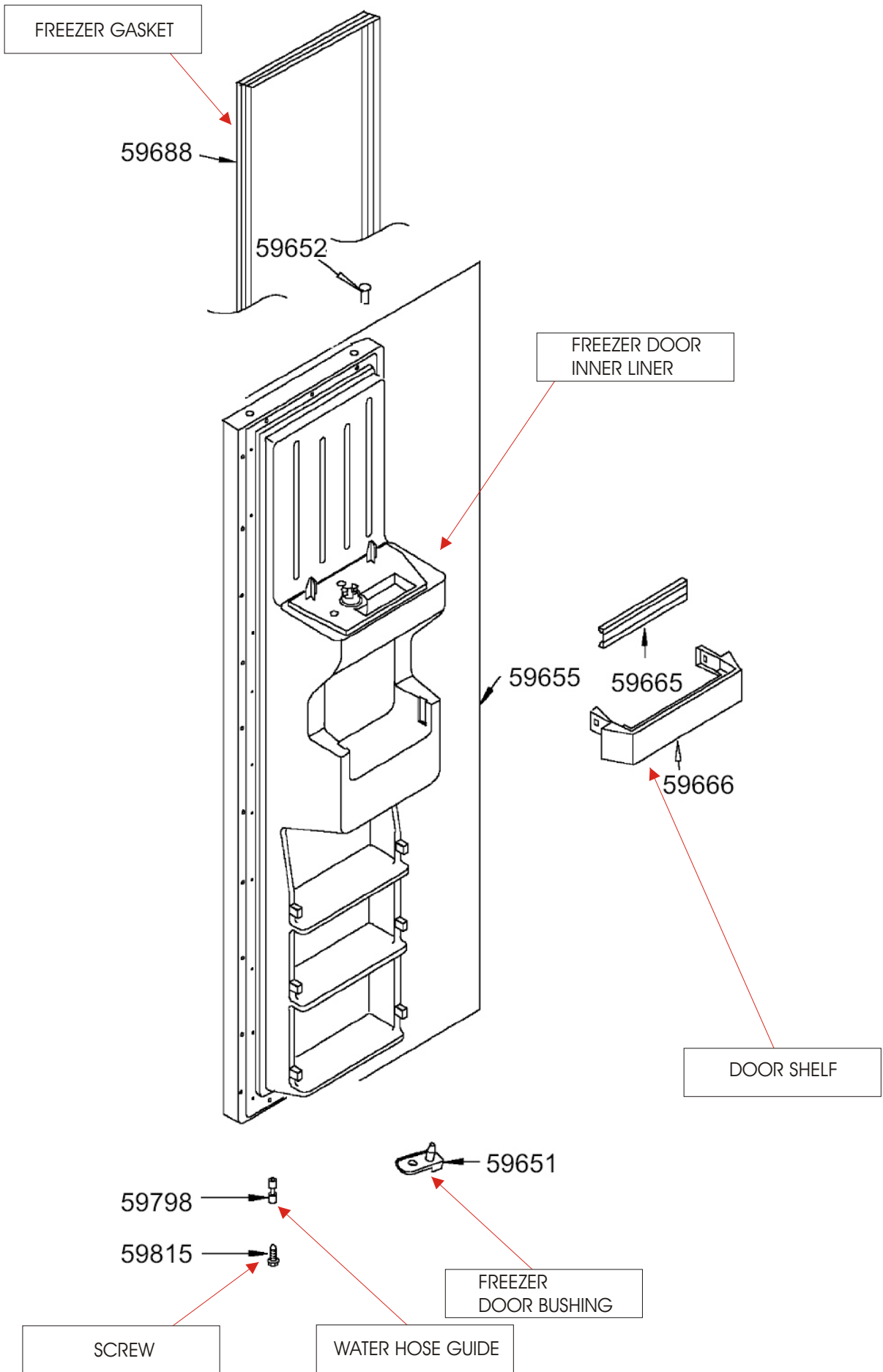
SIDE BY SIDE FRIDGE FREEZER - PART RECOGNITION GUIDE



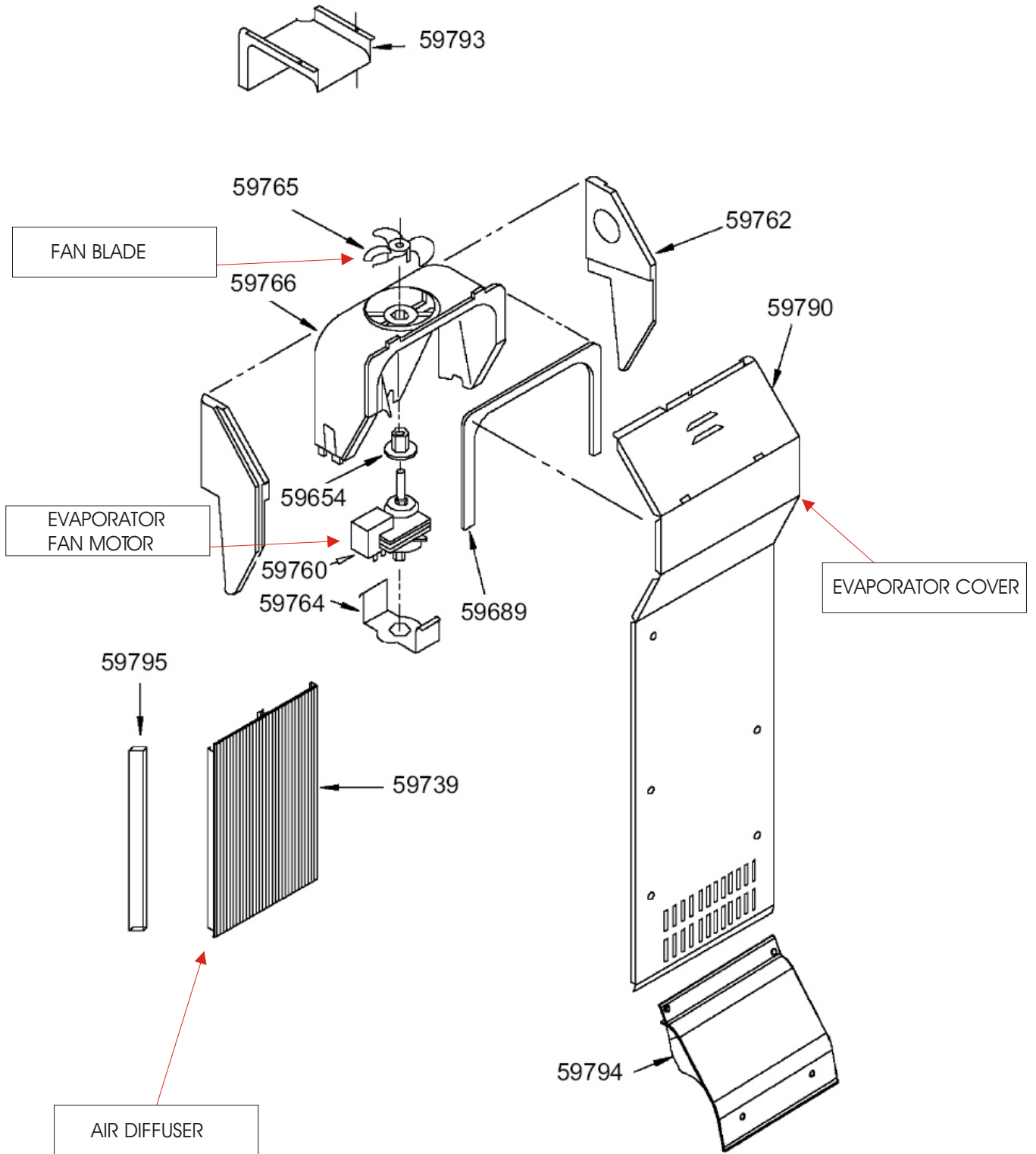
SIDE BY SIDE FRIDGE FREEZER - PART RECOGNITION GUIDE



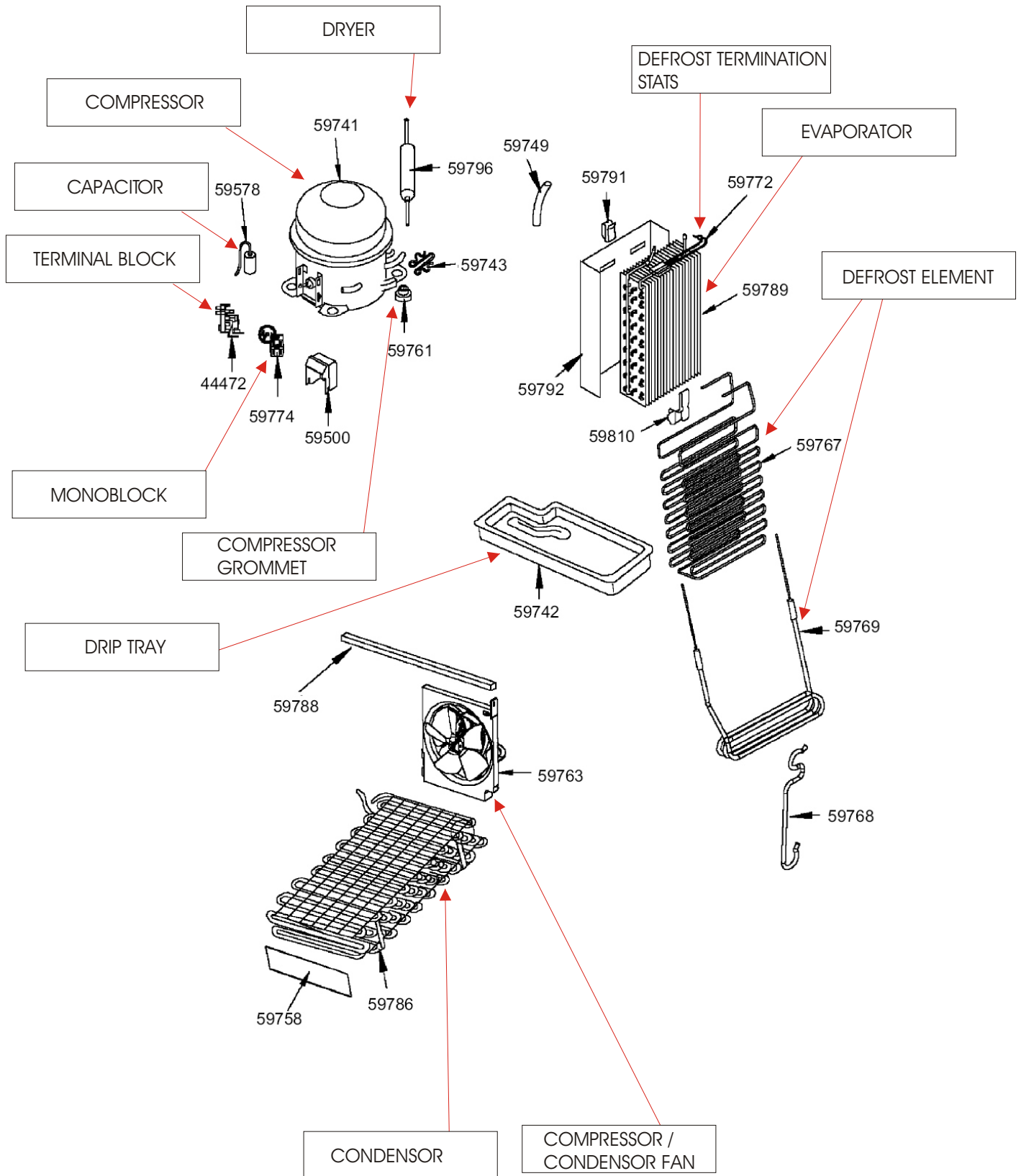
SIDE BY SIDE FRIDGE FREEZER - PART RECOGNITION GUIDE



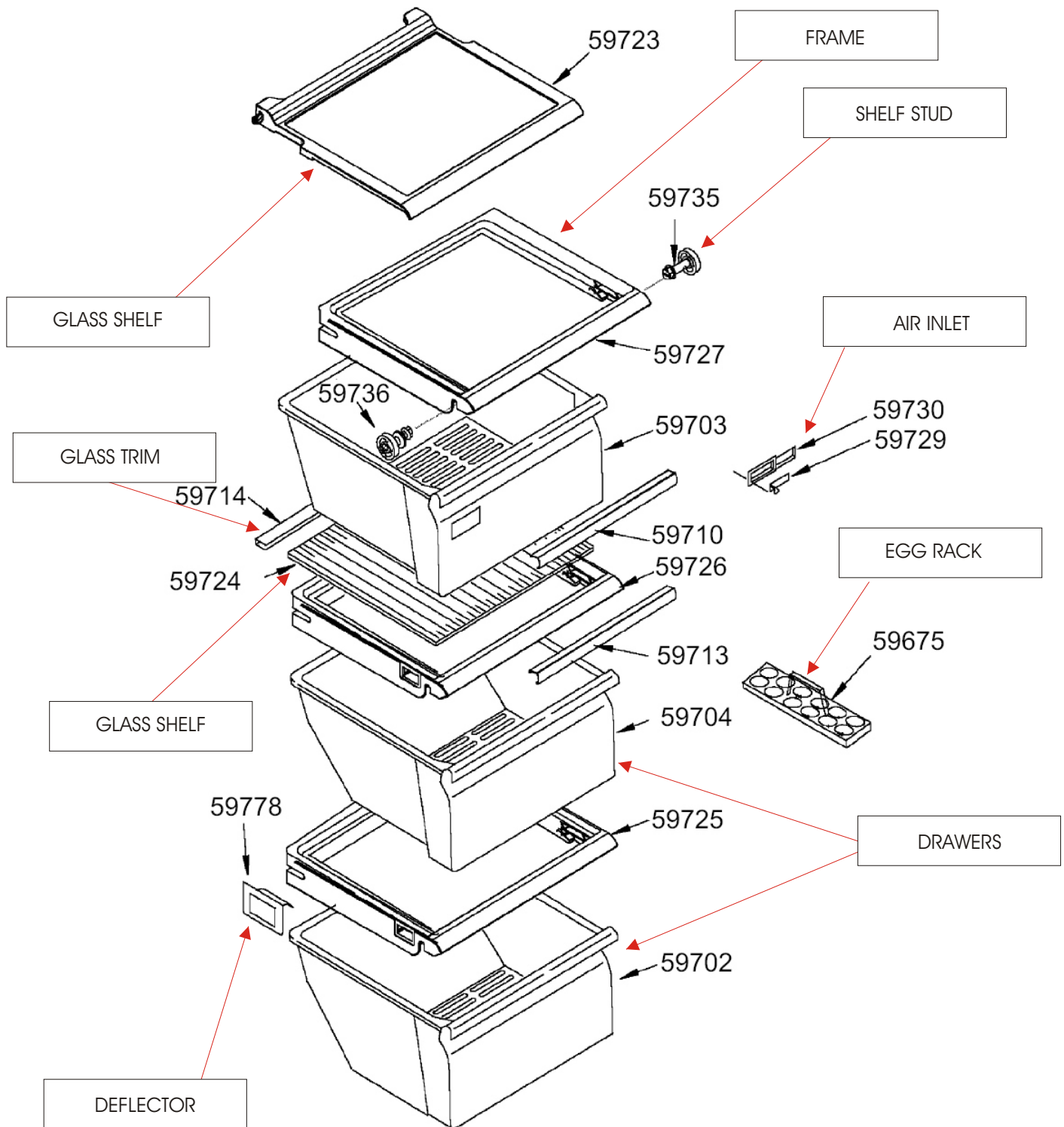
SIDE BY SIDE FRIDGE FREEZER - PART RECOGNITION GUIDE



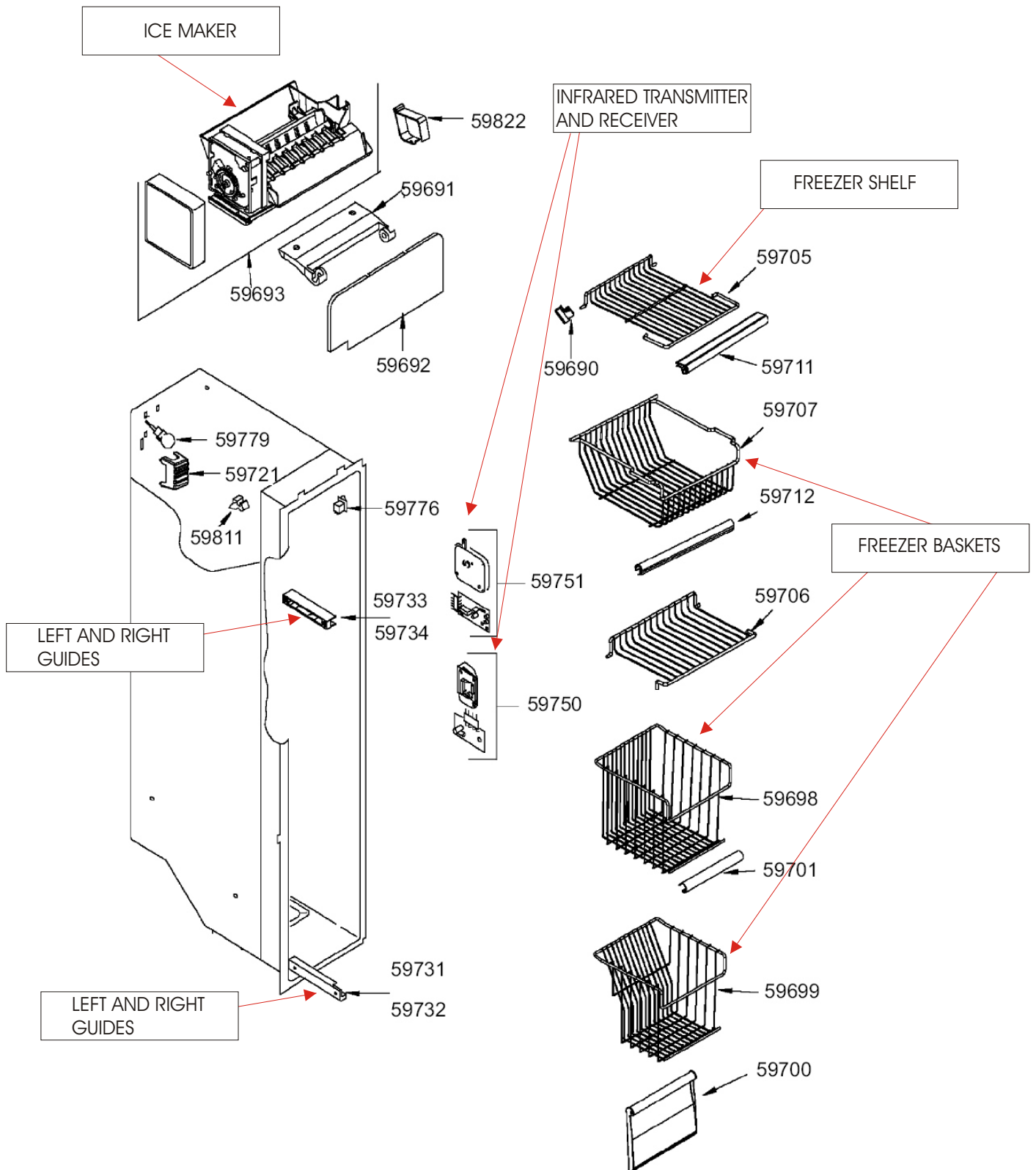
SIDE BY SIDE FRIDGE FREEZER - PART RECOGNITION GUIDE



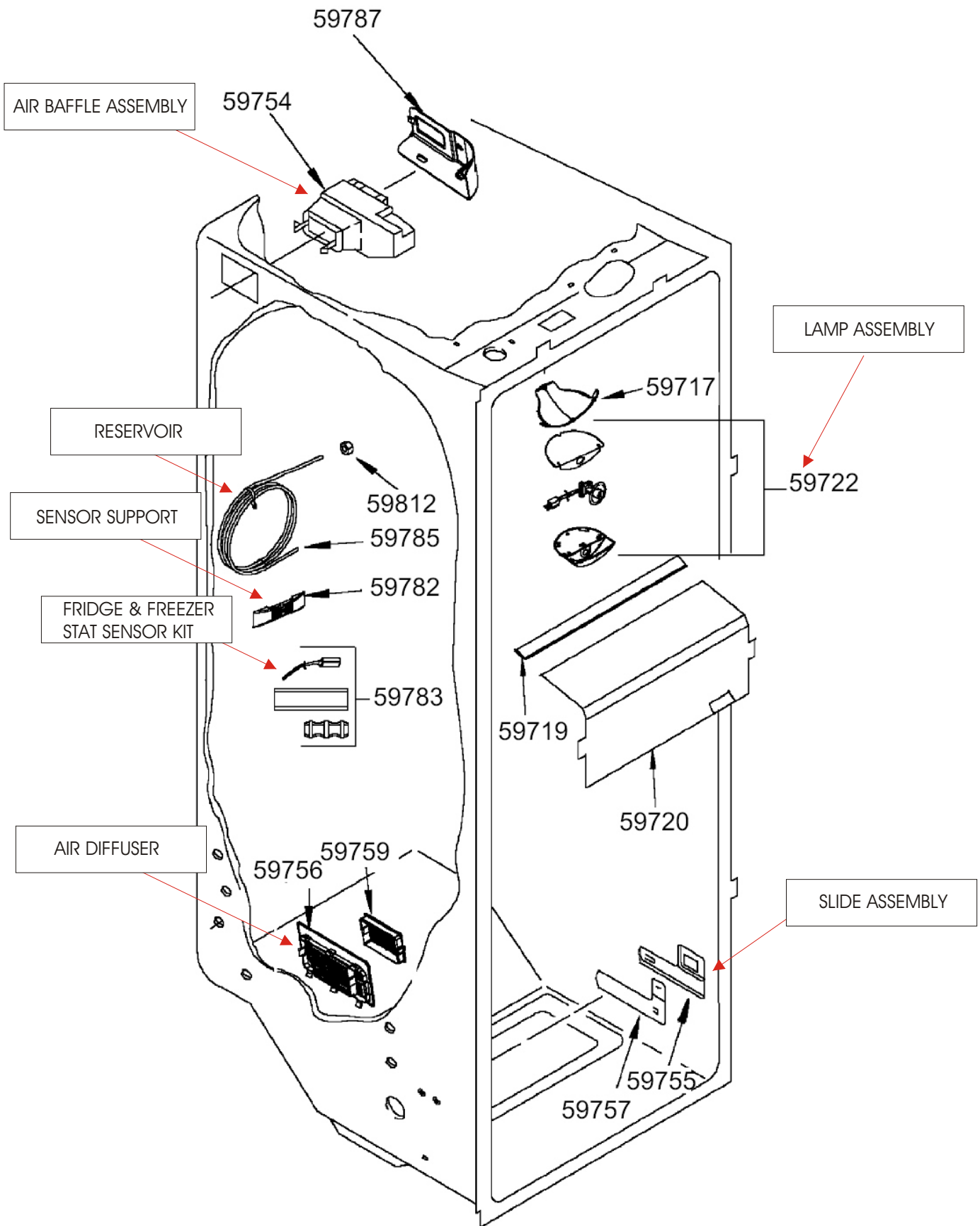
SIDE BY SIDE FRIDGE FREEZER - PART RECOGNITION GUIDE



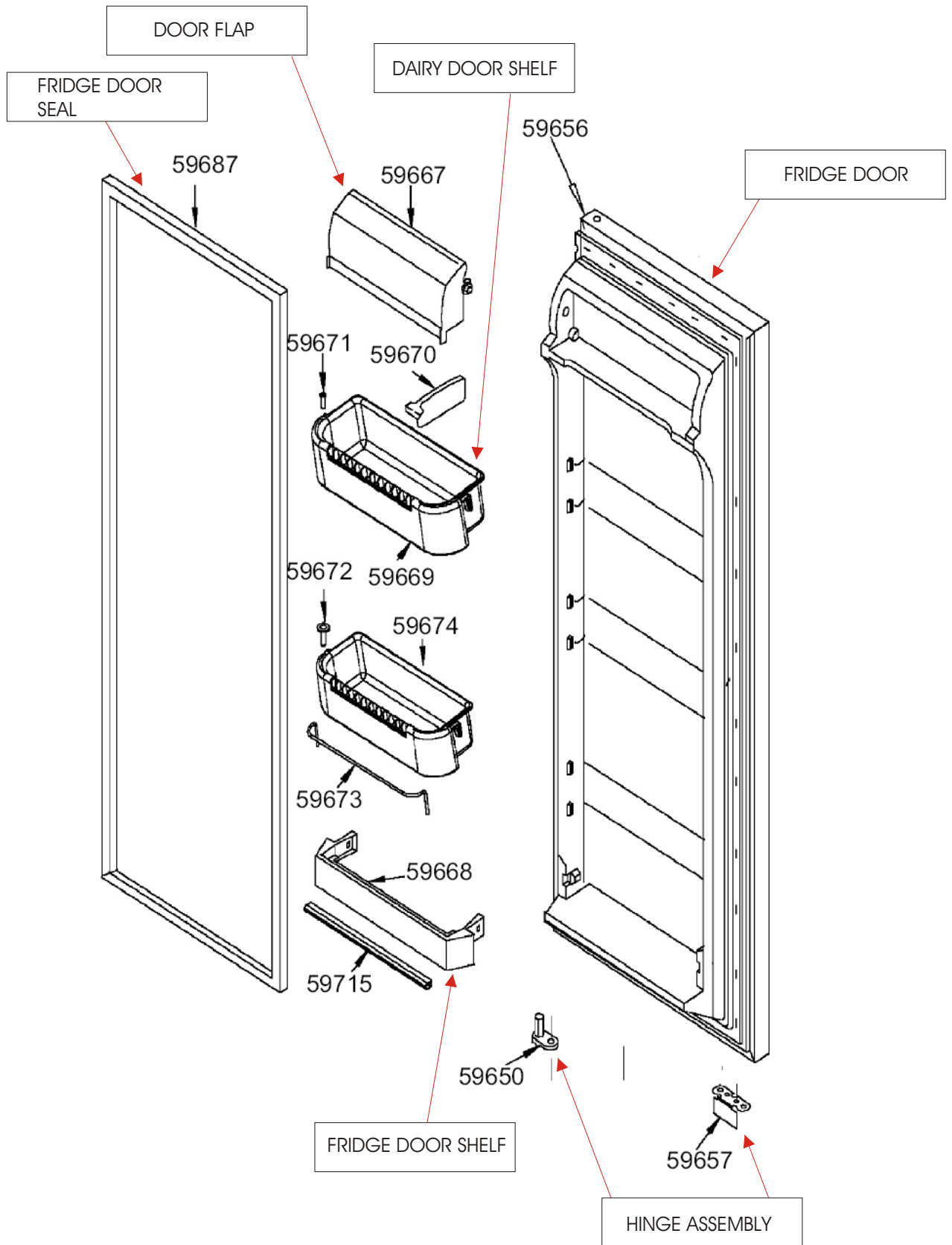
SIDE BY SIDE FRIDGE FREEZER - PART RECOGNITION GUIDE



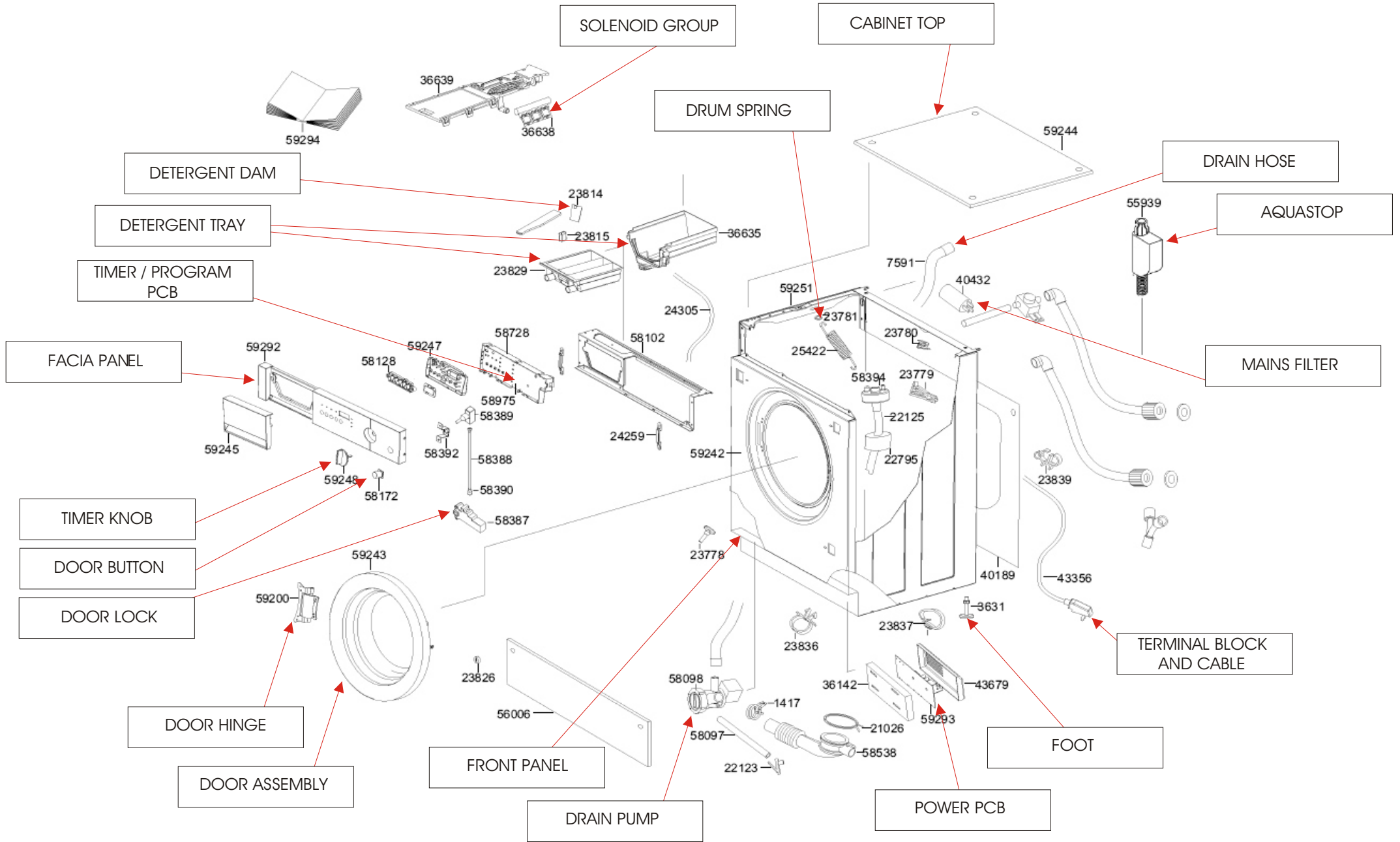
SIDE BY SIDE FRIDGE FREEZER - PART RECOGNITION GUIDE



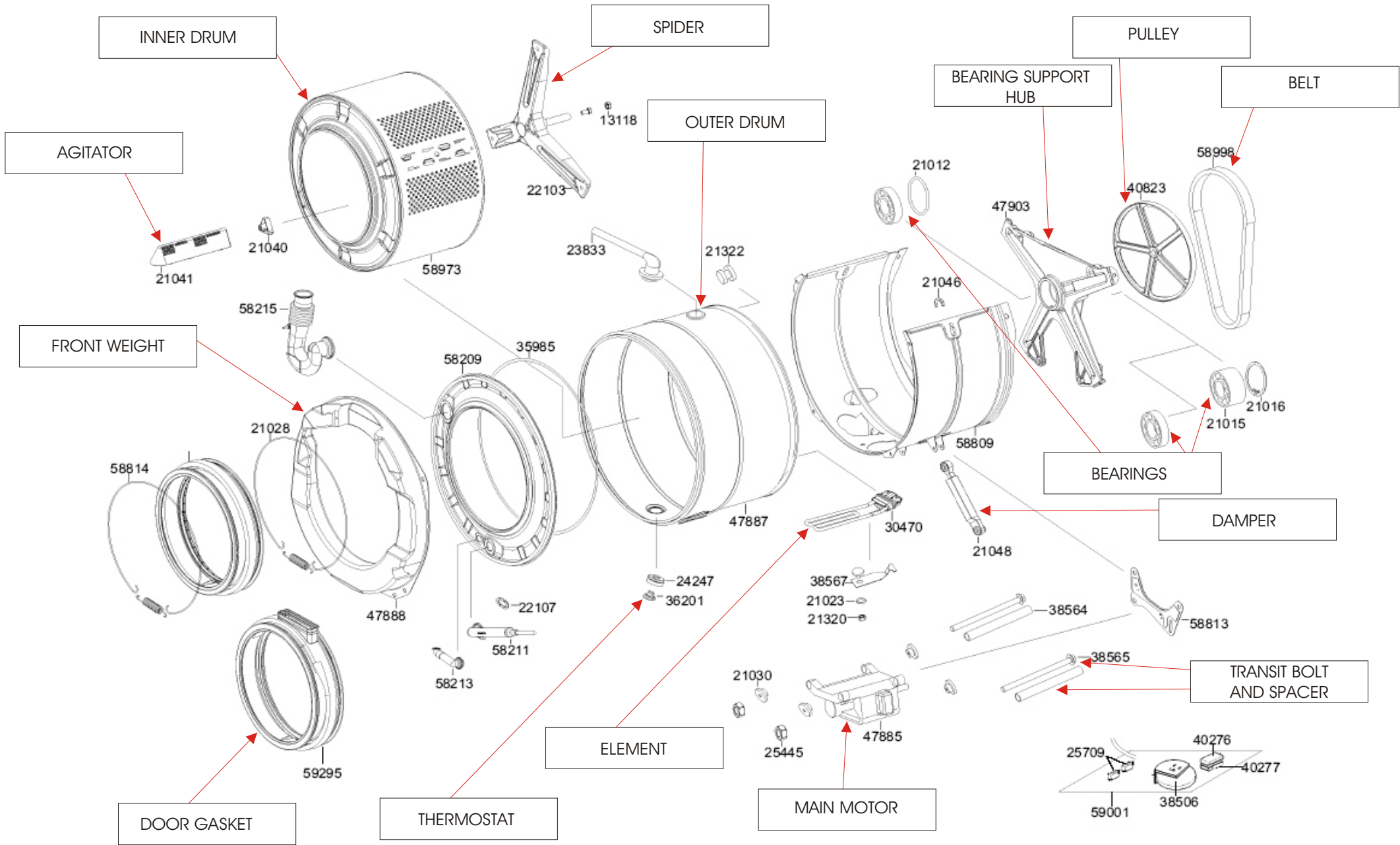
SIDE BY SIDE FRIDGE FREEZER - PART RECOGNITION GUIDE



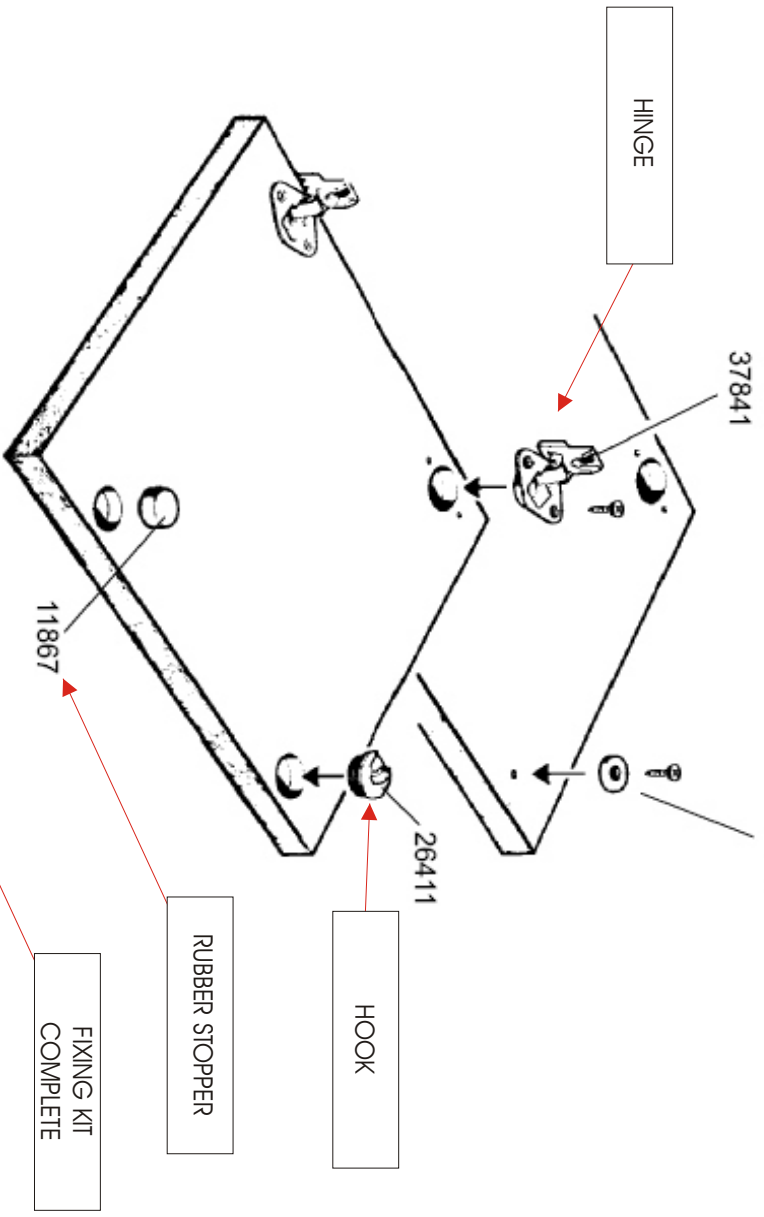
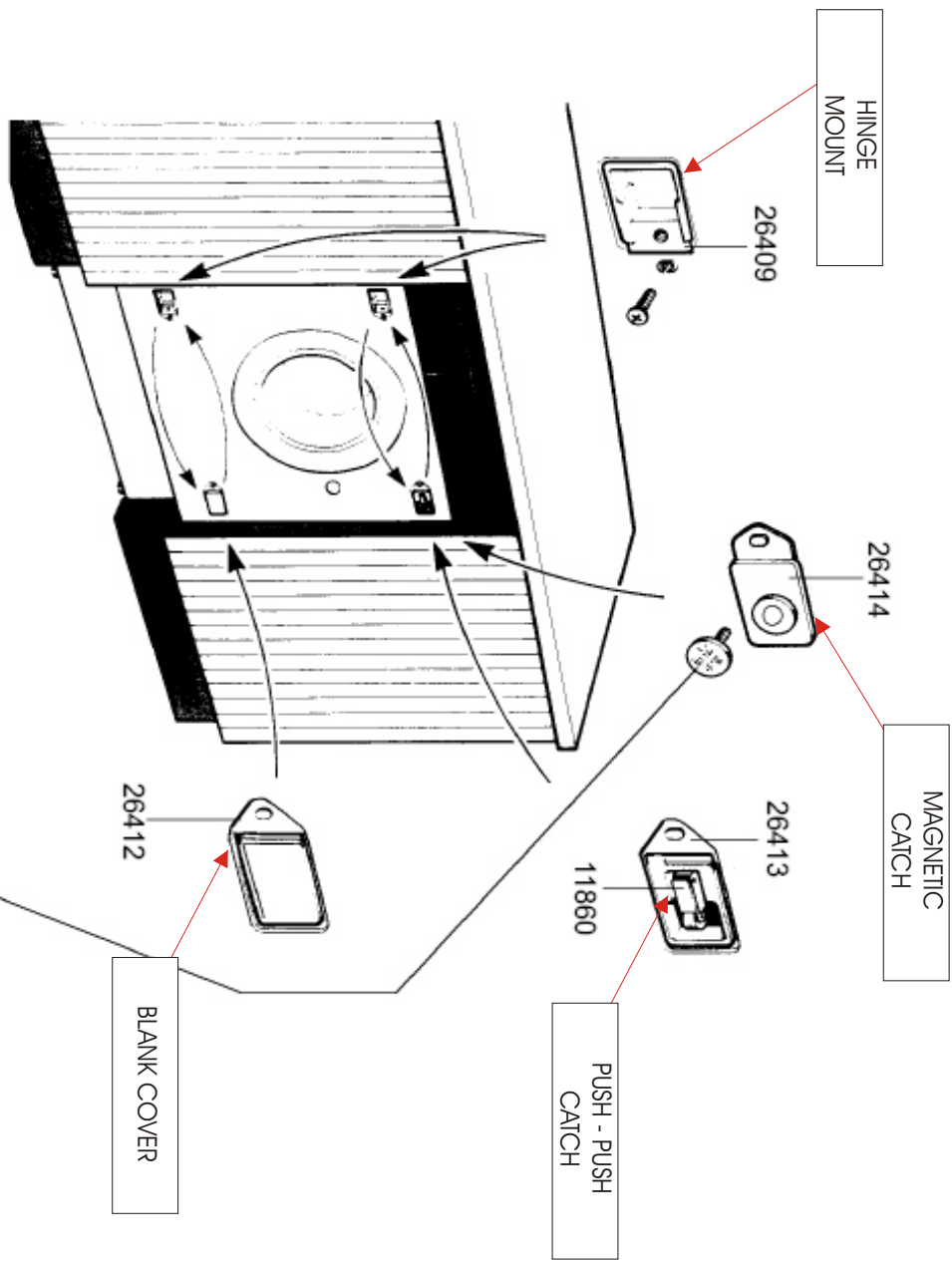
WASHER DRYER - PART RECOGNITION GUIDE



WASHER DRYER - PART RECOGNITION GUIDE



WASHER DRYER - PART RECOGNITION GUIDE



26706 = GRUPPO COMPLETO ACCESSORI